



Built-in & Freestanding product brochure 2023

Who are Bosch?



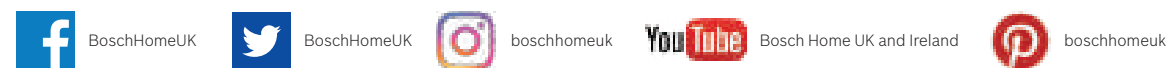
“I have always acted according to the principle that it is better to lose money than trust. The integrity of my promises, the belief in the value of my products and in my word of honour have always had a higher priority to me than a transitory profit.”

Robert Bosch, 1921

For over 130 years, the Bosch name has been synonymous with engineering excellence. Our home appliances are renowned for their quality, reliability and performance which derives from our inherent, unflagging commitment and the painstaking thoroughness with which every unit is made. As you would expect from Bosch, there are no gimmicks or frills with our products – just pure, clean lines and beautiful, functional simplicity that will enhance any kitchen.

The values that shaped Robert Bosch’s vision for his new company in 1886 are the same principles that guide the business today; never lose the trust of your customers, look after your staff and partners and change things for the better. It’s what has kept Bosch at the forefront of the home appliance industry and what will keep it there in the future.

Follow us to learn more on:



Contents

Customer service	2-3	Hoods	52-67	Dishwashers	90-101
Home Connect	4-5	Introducing the Bosch hood range	52-53	Introducing the Bosch dishwasher range	90-93
Ovens	6-23	Ceiling hoods	54	60cm integrated dishwashers	94-96
Introducing the Bosch oven range	6-9	Island chimney hoods	54	45cm integrated dishwashers	97
Single ovens	10-13	Integrated design hoods	55	60cm freestanding dishwashers	98-100
Double ovens	14-15	Angled & flat hoods	56-57	45cm & compact freestanding dishwashers	101
Compact ovens	16-17	Glass chimney hoods	58-59	Dishwasher installation guide & accessories	102-103
Microwave ovens	18-21	Box chimney hoods	60-61	Refrigeration	104-133
Warming drawers	22	Pyramid chimney hoods	62-63	Introducing the Bosch refrigeration range	104-109
Smart coffee centre	23	Canopy hoods	64	Integrated refrigeration	110-117
Ovens installation guide & accessories	24-27	Telescopic, integrated and built-under hoods	65-67	Wine coolers	118
Hobs	28-45	Hoods installation guide & accessories	68-71	Multi-door refrigeration	120
Introducing the Bosch hob range	28-31	Laundry	72-87	American refrigeration	121
Venting hobs	32-33	Introducing the Bosch laundry range	72-78	Freestanding refrigeration	122-133
Induction hobs	34-38	Washing machines	79-83	Refrigeration installation guide & accessories	134-137
Ceramic hobs	39	Washer Dryers	84	Small appliances	138-141
Gas hobs	40-43	Tumble Dryers	85-87	Vacuum cleaners	138-139
Domino hobs	44	Laundry installation guide & accessories	88-89	Coffee machines	140
Hobs installation guide & accessories	46-51			Food preparation	141
				Kettles & toasters	141



Bosch Customer Service



Customer Service

Trust Bosch Customer Service to help you with the following:

- Troubleshooting support and arranging a repair for your Bosch appliance
- Accessing your Bosch appliance's instruction manual and other documentation
- Registering your Bosch appliance and extending its warranty further
- Locating and purchasing spare parts, accessories and care products
- Support with product advice and choosing a new Bosch appliance

Visit us online at:

UK: www.bosch-home.co.uk/customer-service
Ireland: www.bosch-home.ie/customer-service

Call us on:

UK: 0344 892 8979
IE: 01450 2655

Explore more at [bosch-home.co.uk](https://www.bosch-home.co.uk) / [bosch-home.ie](https://www.bosch-home.ie)

Our contact centre is open Monday to Friday between 8am and 10pm, Saturday and Sunday between 8am and 6pm, and Bank Holidays between 9am and 4pm. Calls are charged at the basic rate. Please check with your telephone service provider for exact charges.

Online Help and Support

You can visit our website for help and support with appliance troubleshooting, usage and maintenance, installation, getting started, helpful videos, and more.

Visit us online at:

UK: www.bosch-home.co.uk/customer-service/get-support
Ireland: www.bosch-home.ie/customer-service/get-support

Repair Service

Our trained and qualified engineers repair large Bosch appliances at your home and small Bosch appliances in our workshop, and they are based locally around the UK. In some areas of the UK we use selected and approved service partners to carry out repairs on our behalf.

You can book a repair by calling our customer service team or alternatively you can book a repair online.

Visit us online at:

UK: www.bosch-home.co.uk/customer-service/repair-service
Ireland: www.bosch-home.ie/customer-service/repair-service

Warranty

All Bosch appliances are supplied with a Two Year Manufacturer's Warranty as standard, but did you know that you can also extend this warranty to a total of five years for added peace of mind with the Bosch Extended Warranty?

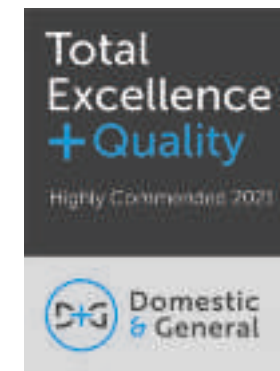
Learn more about your appliance's warranty and options to extend your warranty by speaking to our customer service team, or visit our website for more information.

Learn more online at:

UK: <https://www.bosch-home.co.uk/customer-service/bosch-extended-warranty>

Call us on:

UK: 0344 892 8979
IE: 01450 2655



Cookware, Accessories and Care Products

We offer a range of tested and approved cookware, accessories and care products to enhance your Bosch appliances and keep them working at their best for longer.

Shop online at:

UK: <https://www.bosch-home.co.uk/store>
IE: <https://www.bosch-home.ie/store>

Spare Parts

Bosch keeps a comprehensive range of original replacement spare parts for up to 10 years. You can browse our exploded view diagrams and purchase spare parts on our website, or you can call our customer service team who can help you to find and purchase the spare parts you need.

Find spare parts online at:

UK: <https://www.bosch-home.co.uk/customer-service/spare-parts-search>
IE: <https://www.bosch-home.ie/customer-service/spare-parts-search>



TO FIND OUT MORE ABOUT OUR CUSTOMER SERVICE, PLEASE SCAN THE QR CODE BELOW:



Bosch appliances with Home Connect are designed to fit seamlessly into your regular daily routines, providing you with an easy solution to getting the most out of your appliances and giving you the comfort of control and monitoring from wherever you are.



Whether that be automatic replenishment, the help of an in-built expert to choose what cycle is best for your clothes and the environment, or voice control when your hands are busy. Home Connect is the ticket to ultimate personalisation.

When all is said and done

Use voice control with Alexa or Google Home, the quicker and more convenient way to get things done. Great for multi-tasking, when you're away from the kitchen or when your hands are full.



Personalise your control

Monitor the progress of your washing from the comfort of your sofa via your smartwatch, phone or ask for updates using voice control with Alexa or Google Home.

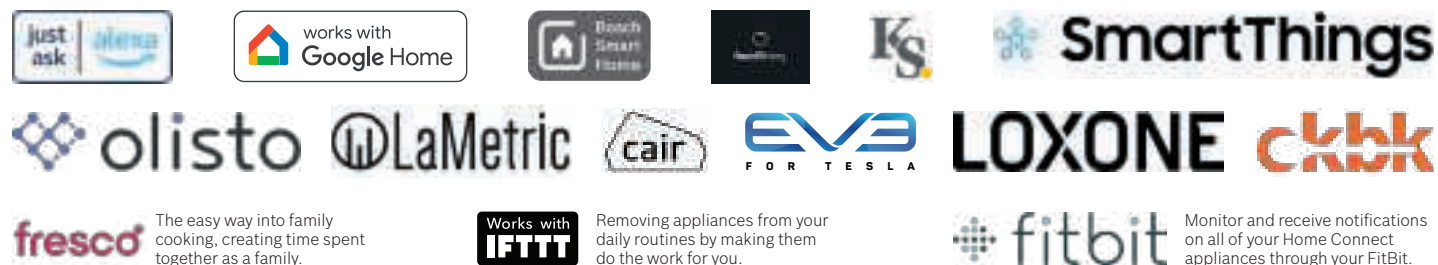
Why not try the app?

Experience it yourself: download the free Home Connect app and try Home Connect, even if you don't have an appliance.



Home Connect is a service offered by Home Connect GmbH. For more information on Home Connect please visit www.bosch-home.co.uk

Home Connect | in partnership with



Explore more at bosch-home.co.uk / bosch-home.ie

Simple to set up, simple to use.

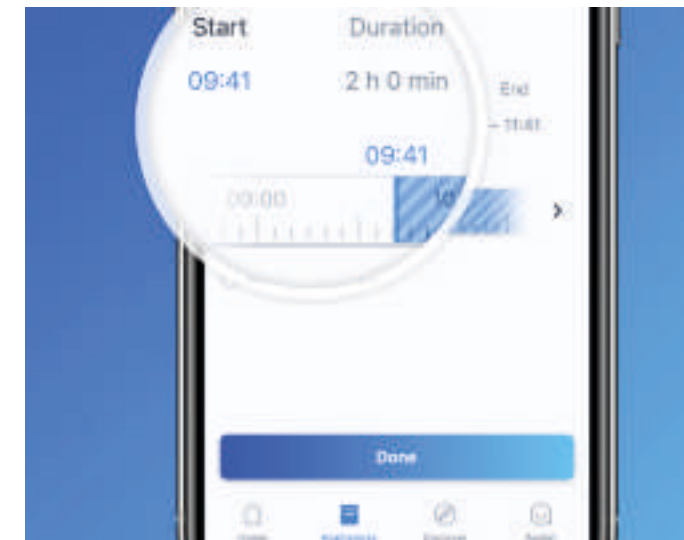
There's no need to worry if you're not a technical genius. We've made sure Home Connect is simple and straightforward to set up. If you do need a helping hand, you can call our Customer Service team on: **0344 892 8979** or email service.uk@home-connect.co.uk. You'll find the Home Connect app just as easy to use. Find an intuitive layout and lots of useful app articles to get the most out of your appliances and learn new skills.

Relax – we're invented for life.

Home Connect uses the same security protocol as online banking, so you can enjoy extra peace of mind when you're using your Bosch appliances. Our app has TUV Trusted App certification, and all of our Home Connect appliances are Wi-Fi certified by the Wi-Fi Alliance.



Look out for the Home Connect logo for more information on Home Connect features



Home Connect

Optimise your energy usage with Home Connect

The Home Connect app can help you be energy efficient. Use Home Connect, your voice assistant or smartwatch to control the start time of your appliances down to the minute, so you can avoid using energy at peak times and wash your dishes for less*.

*Cost will depend on your energy provider and contract. Available on selected models only.

Never run out of dishwasher tablets again

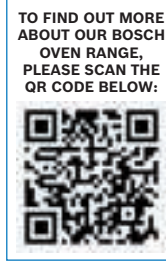
Avoid running out of dishwasher tablets by linking your dishwasher to the Smart Finish service and automatically receive your tablets to your door when you're running low.

As an added bonus you'll also receive a free dishcare bundle when you first sign up.



Making **life easy** through innovative technologies

Whatever kind of cook you are, we have a range of smart and stylish built-in single or double ovens for you to choose from. Serve up vitamin-packed meals using one of our innovative added steam ovens or, if limited on space, our easy-to-use microwaves and compact appliances will bring style and function to any kitchen.



Series 8

With their impressive technology, elegant design and sensor-controlled programmes, our **Series 8** ovens meet every need and more in the kitchen. The innovative control wheel provides full control over your dishes at all times.

Series 6

Simple elegance meets superior technology. **Series 6** ovens give you more than just convenient operation and modern functionality. Easy to use with various programmes to suit different foods, now available in stylish all-black design.

Series 4

Modern design, quality engineering and practicality. Our **Series 4** oven range looks stunning inside and out. Easy to use functionality with a selection of cooking programmes to choose from.



Model shown: HBG7784B1



Model shown: HRG579BB6B



Model shown: HRS574BS0

Compact ovens with microwave



Model shown: CMG778NB1

Compact microwave combination ovens



Model shown: CMA585GB0B

Warming drawers



Model shown: BIC510NB0

Built-in coffee machine



Model shown: CTL7181B0

Cooking appliances can be arranged both horizontally and vertically, depending on the space you have in your kitchen.

Combination design.

Using the highest quality stainless steel and glass, our ovens and compact appliances combine beautifully to deliver a timeless, elegant and stylish finish to any kitchen with sleek, coordinated lines and matching panels.

Combination possibilities.

Create seamless lines in your kitchen with our Series ranges by combining a single oven together with one of our compact appliances and warming drawers. For the optimum in design co-ordination, choose appliances belonging to the same Series family to create harmonious lines in your kitchen.

Selecting the right oven and combination for your kitchen.

Whether you're designing a new kitchen or simply updating one of your appliances, we have a wide variety of cooking products available for you to choose from. Depending on the space you have in your kitchen, you can choose from a single product or combination.

Single ovens



Model shown: HBG7784B1

Double ovens



Model shown: MBA5785S6B

Double built-under ovens



Model shown: NBS533BS0B

Compact steam ovens



Model shown: CSG7584B1

Cooking functions explained.

Check model for available functions.



4D Hotair

Place your food on any of the four shelf levels to achieve consistently perfect results: thanks to the fan wheel that heat evenly on every level.



3D Hotair

By maintaining the right temperature across three shelf levels, consistently even cooking results are achieved.



Pyrolytic cleaning

Heats the oven to around 480°C, which reduces dirt and grease deposits to dust that can be easily wiped away.
(Available in selected models only)



Eco Clean Direct

Almost no cleaning is necessary thanks to a special coating of the rear wall that automatically absorbs grime.
(Available in selected models only)



Added Steam

Produces succulent roasts, with juicy meats and crispy skins, as well as breads with the perfect colour and crust.
(Available in selected models only)



PerfectBake

PerfectBake sensor offers precise sensitivity and constantly measures the moisture level of dishes, as well as automatically regulating the baking process.



Air Fry Function

Use the Air Fry Function for healthier and tastier meals. Almost no oil is needed, leaving your dishes crispy. Perfect for anything from vegetables to poultry. Recommended with Air Fry & Grill Tray.



Single point probe

The single point meat probe constantly measures the temperature at the core of the roast and as soon as the desired temperature is reached gives an acoustic and switches off automatically.
(Available in selected Series 6 models only)



PerfectRoast meat probe

Three highly sensitive measuring points determine the core temperature of your food to the exact degree, guaranteeing perfect roasting results and taking away the guesswork.
(Available in selected Series 8 models only)



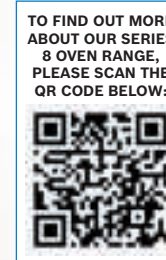
Defrost

Gently defrosts food evenly and quicker than it would take on the kitchen counter.



Perfect results at your fingertips.

Check model for available functions.



The easy way to healthy cooking results.

With their impressive technology, elegant design and crystal clear TFT touchDisplay, our new Series 8 ovens meet every need and more in the kitchen. The innovative Digital Control Ring engraved into the glass with TFT touchDisplay, provides convenience and functionality with full control over your dishes at all times. Plus, thanks to sensor-controlled programmes, you'll achieve perfect results every time.

Digital Control Ring with TFT touchDisplay

Clear, vivid images and info texts in the inner ring of the engraved Digital Control Ring assist you through each step, supported by the high-resolution, plain-text TFT touchscreen and integrated, directly selectable buttons.



Digital Control Ring with TFT touchDisplay Plus

Clear, vivid images and info texts in the inner ring of the engraved Digital Control Ring assist you through each step, supported by the full-surface, high-resolution, plain-text TFT touchscreen and directly selectable buttons.



Digital Control Ring with TFT touchDisplay Pro

Clear, vivid images and info texts in the inner ring of the engraved Digital Control Ring assist you through each step, supported by the 6.8-inch full-surface, high-resolution, plain-text TFT touchscreen and directly selectable buttons.



Perfect Steam

A precise sensor constantly measures the humidity level of your dishes and automatically regulates the steaming process. You'll never have to adjust the heating mode, cooking time or temperature again. Perfect Steam does it all.



Steam Function Plus

The new Steam Function Plus steams at a temperature of up to 120°C, your dishes are done faster and retain even more of their vitamins and nutrients.



PerfectBake

PerfectBake sensor offers precise sensitivity and constantly measures the moisture level of dishes, as well as automatically regulating the baking process.



PerfectRoast Meat probe

Three highly sensitive measuring points determine the core temperature of your food to the exact degree, guaranteeing perfect roasting results and taking away the guesswork.

(Available in selected Series 8 models only)



Air Fry Function

Use the Air Fry Function for healthier and tastier meals. Almost no oil is needed, leaving your dishes crispy. Perfect for anything from vegetables to poultry. Recommended with Air Fry & Grill Tray.



Pyrolytic Cleaning

Heats the oven to around 480°C, which reduces dirt and grease deposits to dust that can be easily wiped away.

(Available in selected models only)

Soft open & soft close

A special damping mechanism prevents oven doors from slamming shut. As you gently push the door shut, it stops just before closing and then shuts itself gently and quietly, thus guaranteeing a long life for both your oven and the oven door.

Level independent Telescopic Rails

Designed to clip to the standard factory fitted shelf support rails, that come as standard on selected models, they can be positioned independently on any of the 5 oven shelf positions in the main cavity in our Series 8 ovens.

Oven assistant

Find the perfect cooking programme, settings and duration for your dish every time with Home Connects Oven Assistant. Ensuring your meal is cooked to perfection with optimised energy use.



For full specification details, please log onto our website and download a full specification sheet.



OVEN TYPE	PYROLYTIC	PYROLYTIC	PYROLYTIC WITH ADDED STEAM	PYROLYTIC
DESIGN FAMILY	SERIES 8	SERIES 8	SERIES 8	SERIES 8
BRUSHED STEEL	-	-	-	-
BLACK	HBG7784B1	HMG7764B1B	HRG7764B1B	HBG7764B1B
WHITE	-	-	-	-
KEY FEATURES				
Control Wheel, TFT Touchdisplay & ClearText	Pro	Plus	Plus	Plus
Control dials / White LCD or Red LED Display	-	-	-	-
Electronic control	●	●	●	●
Soft close / open drop down door	●	●	●	●
Home Connect	●	●	●	●
BoschAssist	●	-	●	●
PerfectBake Sensor	●	●	●	●
Automatic cooking programmes	14	20	20	14
Perfect Roast Multi-point temperature probe	●	●	●	●
Single-point temperature probe	-	-	-	-
Full steam	-	-	●	-
Pyrolytic self cleaning function	●	●	●	●
ecoClean® back / roof / side surfaces	-	-	-	-
ADDITIONAL PROGRAMMES / FUNCTIONS				
Hotair: 3D / 4D	4D	4D	4D	4D
Conventional top & bottom heat / bottom heat only	●	●	●	●
Hotair / Conventional Gentle	●	●	●	●
Hotair grilling	●	●	●	●
Full width / Half width variable grill	●	●	●	●
Pizza Setting / Intensive Setting	● / -	● / -	●	● / -
Low temperature cooking	●	●	●	●
Defrost	●	●	●	●
Keep warm / Plate warming	●	●	●	●
Dehydrate	-	-	●	-
Fast heat	●	●	●	●
PERFORMANCE / TECHNICAL INFORMATION				
Oven capacity (L)	71	71	71	71
Energy efficiency index (%) ¹	81.2	81.2	87.1	81.2
Energy efficiency class ¹	A+	A+	A	A+
Energy consumption per cycle Hotair (kWh) ¹	0.69	0.69	0.74	0.69
Energy consumption per cycle conventional (kWh) ¹	0.87	0.87	0.90	0.87
Time to cook standard load (mins.) ¹	42	42	44	42
Largest baking sheet area (cm ²)	1290	1290	1290	1290
Total connected loading (W)	3600	3600	3450	3600
Cable length (cm)	120	120	120	120
Water tank capacity (L)	-	-	1	-
STANDARD ACCESSORIES				
Wire Shelves / Full width enamelled pan	2 / 1	2 / 1	2 / 1	2 / 1
Two-piece slim pan set	-	-	-	-
Fixed level telescopic shelves	1 level	-	-	1 level
Level Independent telescopic rail	-	-	-	-

● = yes - = no
¹ According to Regulation (EU) No 65/2014 (models with integral microwave or steam only are exempt)



OVEN TYPE	PYROLYTIC	PYROLYTIC	PYROLYTIC	PYROLYTIC	PYROLYTIC
DESIGN FAMILY	SERIES 8	SERIES 6	SERIES 6	SERIES 4	SERIES 4
BRUSHED STEEL	-	-	-	HRS574BS0B	HBS573BS0B*
BLACK	HBG7741B1B	HRG579BB6B	HBG579BB6B	-	HBS573BB0B*
WHITE	-	-	-	-	-
KEY FEATURES					
Control Wheel, TFT Touchdisplay & ClearText	●	●	●	-	-
Control dials / White LCD or Red LED Display	-	● / White	● / White	● / Red	● / Red
Electronic control	●	●	●	●	●
Soft close / open drop down door	●	●	●	●	-
Home Connect	-	●	●	-	-
BoschAssist	-	-	-	-	-
PerfectBake Sensor	-	-	-	-	-
Automatic cooking programmes	10	40	40	10	10
Perfect Roast Multi-point temperature probe	-	-	-	-	-
Single-point temperature probe	-	-	-	-	-
Full steam	-	●	-	●	-
Pyrolytic self cleaning function	●	●	●	●	●
ecoClean® back / roof / side surfaces	-	-	-	-	-
ADDITIONAL PROGRAMMES / FUNCTIONS					
Hotair: 3D / 4D	-	3D	3D	3D	3D
Conventional top & bottom heat / bottom heat only	●	●	●	●	● / -
Hotair / Conventional Gentle	●	●	-	-	●
Hotair grilling	●	●	●	●	●
Full width / Half width variable grill	●	●	-	-	-
Pizza Setting / Intensive Setting	● / -	●	●	●	-
Low temperature cooking	●	●	●	-	-
Defrost	●	●	●	-	-
Keep warm / Plate warming	●	-	-	-	-
Dehydrate	-	-	-	-	-
Fast heat	●	-	-	-	●
PERFORMANCE / TECHNICAL INFORMATION					
Oven capacity (L)	71	71	71	71	71
Energy efficiency index ¹	81.2	95.3	95.3	95.3	95.3
Energy efficiency class ¹	A+	A	A	A	A
Energy consumption per cycle Hotair (kWh) ¹	0.69	0.81	0.81	0.81	0.81
Energy consumption per cycle conventional (kWh) ¹	0.87	0.99	0.99	0.99	0.99
Time to cook standard load (mins.) ¹	42	49.5	49.5	49.5	50
Largest baking sheet area (cm ²)	1290	1290	1290	1290	1290
Total connected loading (W)	3600	3600	3600	2990	2990
Cable length (cm)	120	120	120	120	120
Water tank capacity (L)	-	0.2	0.2	0.2	-
STANDARD ACCESSORIES					
Wire Shelves / Full width enamelled pan	2 / 1	2 / 1	2 / 1	2 / 1	2 / 1
Two-piece slim pan set	-	-	●	-	●
Fixed level telescopic shelves	-	-	-	-	-
Level Independent telescopic rail	-	-	-	1 Pair	-

● = yes - = no
¹ According to Regulation (EU) No 65/2014 (models with integral microwave or steam only are exempt)
 5 year warranty - Offer dates: 01.04.23 - 31.03.24. T&C's apply. Online registration required. Selected models only.



OVEN TYPE	STANDARD	STANDARD	STANDARD
DESIGN FAMILY	SERIES 8	SERIES 8	SERIES 8
BRUSHED STEEL	-	-	-
BLACK	HSG7584B1	HSG7364B1B	HBG7341B1B
WHITE	-	-	-
KEY FEATURES			
Control Wheel, TFT Touchdisplay & ClearText	Pro	Plus	●
Control dials / White LCD or Red LED Display	-	-	-
Electronic control	●	●	●
SoftClose / SoftOpen drop down door	●	●	●
Home Connect	●	●	-
BoschAssist	●	-	-
PerfectBake Sensor	●	●	-
Automatic cooking programmes	-	10 or 21	-
Perfect Roast Multi-point temperature probe	●	●	-
Single-point temperature probe	-	-	-
Added steam function	●	●	-
Pyrolytic self cleaning function	-	-	-
ecoClean® back / roof / side surfaces	-	-	●
ADDITIONAL PROGRAMMES / FUNCTIONS			
Hotair: 3D / 4D	4D	4D	3D
Conventional top & bottom heat / bottom heat only	●	●	●
Hotair / Conventional Gentle	●	●	●
Hotair grilling	●	●	●
Full width / Half width variable grill	-	●	-
Pizza Setting / Intensive Setting	●	●	●
Low temperature cooking	●	●	●
Defrost	●	●	●
Keep warm / Plate warming	●	●	●
Dehydrate	-	-	-
Fast heat	●	●	●
PERFORMANCE / TECHNICAL INFORMATION			
Oven capacity (L)	71	71	71
Energy efficiency index ¹	81.2	81.2	81.2
Energy efficiency class ¹	A+	A+	A+
Energy consumption per cycle Hotair (kWh) ¹	0.69	0.69	0.69
Energy consumption per cycle conventional (kWh) ¹	0.87	0.87	0.87
Time to cook standard load (mins.) ¹	42	42	42
Largest baking sheet area (cm ²)	1290	1290	1290
Total connected loading (W)	3600	3600	3600
Cable length (cm)	120	120	120
Water tank capacity (L)	-	-	-
STANDARD ACCESSORIES			
Wire Shelves / Full width enamelled pan	2 / 1	2 / 1	2 / 1
Two-piece slim pan set	-	-	-
Fixed level telescopic shelves	1 level	-	-
Level Independent telescopic rail	-	-	-

● = yes - = no
¹ According to Regulation (EU) No 65/2014 (models with integral microwave or steam only are exempt)



OVEN TYPE	STANDARD	STANDARD	STANDARD
DESIGN FAMILY	SERIES 6	SERIES 4	SERIES 4
BRUSHED STEEL	-	HRS534BS0B	HBS534BS0B
BLACK	HBG539BB6B	-	HBS534BB0B
WHITE	-	-	HBS534BW0B
KEY FEATURES			
Control Wheel, TFT Touchdisplay & ClearText	●	-	-
Control dials / White LCD or Red LED Display	● / White	● / Red	● / Red
Electronic control	●	●	●
SoftClose / SoftOpen drop down door	●	●	-
Home Connect	●	-	-
BoschAssist	-	-	-
PerfectBake Sensor	-	-	-
Automatic cooking programmes	40	10	-
Perfect Roast Multi-point temperature probe	-	-	-
Single-point temperature probe	-	-	-
Added steam function	-	●	-
Pyrolytic self cleaning function	-	-	-
ecoClean® back / roof / side surfaces	●	●	●
ADDITIONAL PROGRAMMES / FUNCTIONS			
Hotair: 3D / 4D	3D	3D	3D
Conventional top & bottom heat / bottom heat only	●	●	●
Hotair / Conventional Gentle	●	●	●
Hotair grilling	●	●	●
Full width / Half width variable grill	-	-	-
Pizza Setting / Intensive Setting	●	●	●
Low temperature cooking	●	-	-
Defrost	●	-	-
Keep warm / Plate warming	-	-	-
Dehydrate	-	-	-
Fast heat	-	-	●
PERFORMANCE / TECHNICAL INFORMATION			
Oven capacity (L)	71	71	71
Energy efficiency index ¹	95.3	95.3	95.3
Energy efficiency class ¹	A	A	A
Energy consumption per cycle Hotair (kWh) ¹	0.81	0.81	0.81
Energy consumption per cycle conventional (kWh) ¹	0.97	0.97	0.97
Time to cook standard load (mins.) ¹	50	43	50
Largest baking sheet area (cm ²)	1290	1290	1290
Total connected loading (W)	36000	29900	29900
Cable length (cm)	120	120	120
Water tank capacity (L)	0.2	0.2	-
STANDARD ACCESSORIES			
Wire Shelves / Full width enamelled pan	2 / 1	2 / 1	2 / 1
Two-piece slim pan set	●	-	●
Fixed level telescopic shelves	-	-	-
Level Independent telescopic rail	-	1 Pair	-

● = yes - = no
¹ According to Regulation (EU) No 65/2014 (models with integral microwave or steam only are exempt)



OVEN TYPE	BUILT-IN DOUBLE		BUILT-IN DOUBLE		BUILT-IN DOUBLE	
DESIGN FAMILY	SERIES 6		SERIES 6		SERIES 6	
BRUSHED STEEL	MBA578S6B		MBA5575S0B		MBA5350S0B	
BLACK	-		-		-	
WHITE	-		-		-	
KEY FEATURES	Main	2nd	Main	2nd	Main	2nd
Control dials / White LCD or Red LED Display	● / White	-	● / White	-	● / White	-
Electronic control	●	●	-	-	-	-
Automatic cooking programmes	30	-	10	-	10	-
Single-point temperature probe	●	-	●	-	-	-
Pyrolytic self cleaning function	●	●	-	-	-	-
ecoClean® back / roof / side surfaces	-	-	●	●	●	●
ADDITIONAL PROGRAMMES / FUNCTIONS	Main	2nd	Main	2nd	Main	2nd
3D Hotair	●	-	●	-	●	-
Hotair Gentle	●	-	●	-	●	-
Defrost	●	-	-	-	-	-
Pizza Setting	●	-	●	-	-	-
Conventional top & bottom heat / bottom heat only	●	●	●	●	● / -	●
Full width variable grill	●	●	●	●	●	●
Half width variable grill	-	●	-	●	-	●
Hotair grilling	●	-	●	-	●	-
Low temperature cooking	●	-	-	-	-	-
Keep warm	●	-	-	-	-	-
Fast heat	●	-	●	-	●	-
PERFORMANCE / TECHNICAL INFORMATION	Main	2nd	Main	2nd	Main	2nd
Oven capacity (L)	71	34	71	34	71	34
Energy efficiency index ¹	95.3	120.3	95.3	120.3	95.3	120.3
Energy efficiency class ¹	A	B	A	B	A	B
Energy consumption per cycle Hotair (kWh) ¹	0.81	-	0.81	-	0.81	-
Energy consumption per cycle conventional (kWh) ¹	1.02	0.83	1.02	0.83	1.02	0.83
Time to cook standard load (mins.) ¹	44	44	44	44	44	44
Largest baking sheet area (cm ²)	1290		1290		1290	
Total connected loading (W)	6300		5900		5900	
STANDARD ACCESSORIES						
Wire Shelves / Full width enamelled pan	3 / 1		3 / 1		3 / 1	
Two-piece slim pan set	-		-		-	
Level Independent telescopic rail	1 Pair		1 Pair		1 Pair	
Two-piece slim pan set	-		-		-	

● = yes - = no
¹ According to Regulation (EU) No 65/2014 (models with integral microwave or steam only are exempt)

OVEN TYPE	BUILT-IN DOUBLE		BUILT-UNDER DOUBLE	
DESIGN FAMILY	SERIES 4		SERIES 4	
BRUSHED STEEL	MBS533BS0B		NBS533BS0B	
BLACK	MBS533BB0B		NBS533BB0B	
WHITE	MBS533BW0B		-	
KEY FEATURES	Main	2nd	Main	2nd
Control dials / White LCD or Red LED Display	● / Red	-	● / Red	-
Electronic control	-	-	-	-
Automatic cooking programmes	-	-	-	-
Single-point temperature probe	-	-	-	-
Pyrolytic self cleaning function	-	-	-	-
ecoClean® back / roof / side surfaces	●	-	●	-
ADDITIONAL PROGRAMMES / FUNCTIONS	Main	2nd	Main	2nd
3D Hotair	●	-	●	-
Hotair Gentle	●	-	●	-
Defrost	-	-	-	-
Pizza Setting	-	-	-	-
Conventional top & bottom heat / bottom heat only	● / -	● / -	● / -	● / -
Full width variable grill	●	●	●	●
Half width variable grill	-	●	-	●
Hotair grilling	●	-	●	-
Low temperature cooking	-	-	-	-
Keep warm	-	-	-	-
Fast heat	●	-	●	-
PERFORMANCE / TECHNICAL INFORMATION	Main	2nd	Main	2nd
Oven capacity (L)	71	34	47	34
Energy efficiency index ¹	95.3	120.3	94.7	120.3
Energy efficiency class ¹	A	B	A	B
Energy consumption per cycle Hotair (kWh) ¹	0.81	-	0.71	-
Energy consumption per cycle conventional (kWh) ¹	1.02	0.83	0.80	0.83
Time to cook standard load (mins.) ¹	44	44	45	44
Largest baking sheet area (cm ²)	1290		1290	
Total connected loading (W)	5900		5300	
STANDARD ACCESSORIES				
Wire Shelves / Full width enamelled pan	3 / 1		2 / 1	
Two-piece slim pan set	●		●	
Level Independent telescopic rail	-		-	
Two-piece slim pan set	2		2	

● = yes - = no

All models comply with COMMISSION REGULATION (EC) No 1275/2008 with regard to ecodesign requirements for standby and off mode electric power consumption.



OVEN TYPE	MF OVEN WITH STEAM	MF OVEN WITH STEAM	MF PYROLYTIC OVEN WITH MICROWAVE	MF PYROLYTIC OVEN WITH MICROWAVE
DESIGN FAMILY	SERIES 8	SERIES 8	SERIES 8	SERIES 8
BRUSHED STEEL	-	-	-	-
BLACK	CSG7584B1	CSG7361B1	CMG778NB1	CMG7761B1B
KEY FEATURES				
Control Wheel, TFT Touchdisplay & ClearText	Pro	Plus	Pro	Plus
Control dials / White LCD or Red LED Display	-	-	-	-
Electronic control	●	●	●	●
Soft Close / Soft Open drop down door	●	●	●	●
Home Connect	●	●	●	●
BoschAssist	●	●	●	●
Automatic cooking programmes	-	-	-	-
Pyrolytic self cleaning function	-	-	●	●
ecoClean® back / roof / side surfaces	●	●	●	-
PROGRAMMES / FUNCTIONS				
Hotair	●	●	●	●
Hotair Gentle	●	●	●	●
Conventional top & bottom heat / Bottom heat only	●	●	●	●
Hotair grilling	●	●	●	●
Full / half width variable grill	●	●	●	●
Pizza Setting	●	●	●	●
Low temperature cooking	●	●	●	●
Keep warm / Plate warming	●	●	●	●
Microwave	-	-	-	●
Microwave combined with Hotair, Top & bottom heat, Hotair Grilling, Grill	-	-	-	●
Microwave combined with Hotair / Grill	-	-	-	●
Microwave combined with Hotair Grilling	-	-	-	-
100% steam	●	●	●	-
Added Steam option	●	●	●	-
Fast heat	●	●	●	-
PERFORMANCE / TECHNICAL INFORMATION				
Oven capacity (L)	47	47	45	45
Energy efficiency index ¹	81.3	81.3	81.3	-
Energy efficiency class ¹	A+	A+	A+	-
Energy consumption per cycle Hotair (kWh) ¹	0.61	0.61	0.61	-
Energy consumption per cycle conventional (kWh) ¹	0.79	0.79	0.79	-
Time to cook standard load (mins.) ¹	42	42	42	-
Largest baking sheet area (cm ²)	1290	1290	1290	1290
Installation in tall housing / under work surface	●	●	●	●
Inverter technology ²	-	-	-	●
Maximum Microwave Power in W3 / No. of power levels	-	-	-	900 / 5
Turntable diameter (mm)	-	-	-	-
Total connected loading (W)	3300	3300	3300	3650
Cable length (cm)	120	120	120	120
Water tank capacity (L)	1	1	1	-
STANDARD ACCESSORIES				
Wire Shelves / Full width enamelled pan	1 / 1	1 / 1	1 / 1	1 / 1
Steam trays	3	3	3	-

● = yes - = no
¹ Measured according the EN50304, 65/2014
² For further information on inverter technology, please go to www.bosch-home.co.uk/https://media3.bosch-home.com/Documents/MCDOC03402966_BOSCH_microwave_details_19.pdf
 For inverter models, the maximum setting offers a time limited boost option for heating liquids. To ensure optimal results and to protect the appliance, the microwave power output is reduced in stages over the first few minutes down to the next power level (600W). After a cooling period, the microwave boost option will be available once more.
 Ovens with integral microwave – When teamed with a single oven, Bosch compact ovens with microwave offer a great alternative to a double oven if you require more space for traditional cooking. Designed first and foremost to function as an oven, with construction, features and functions identical to a traditional single oven, these models benefit from the addition of microwaves at low medium power (max 360W) to deliver oven-led combination cooking, which speeds up the cooking process while retaining traditional cooking results.
 Microwave Combination Ovens – These models are designed to provide more functionality than a solo microwave oven, focussing on combination cooking, with the microwave using higher power (max. 600W) to lead the cooking process, supported by Hotair or grill functions to deliver speedy crisp and browned results. Based around a more traditional microwave functionality these models offer the perfect solution if regular microwave heating is the priority, but with the back-up of separate or combination Hotair cooking and grill functionality if required. These models are designed to operate best in combination mode, so when heating using microwave only, it may be necessary to adjust cooking times.

OVEN TYPE	MF OVEN WITH MICROWAVE	MF OVEN WITH MICROWAVE	MW COMBINATION OVEN	MW COMBINATION OVEN
DESIGN FAMILY	SERIES 8	SERIES 8	SERIES 6	SERIES 4
BRUSHED STEEL	-	-	-	CMA583MS0B
BLACK	CMG7361B1B	CMG7241B1B	CMA585GB0B	CMA583MB0B
KEY FEATURES				
Control Wheel, TFT Touchdisplay & ClearText	Plus	●	-	-
Control dials / White LCD or Red LED Display	-	-	● / White	● / Red
Electronic control	●	●	●	●
Soft Close / Soft Open drop down door	●	●	●	-
Home Connect	●	●	-	-
BoschAssist	●	-	-	-
Automatic cooking programmes	20	16	15	15
Pyrolytic self cleaning function	-	-	-	-
Eco Clean® back / roof / side surfaces	● / - / -	-	-	-
PROGRAMMES / FUNCTIONS				
Hotair	●	●	●	●
Hotair Gentle	●	●	-	-
Conventional top & bottom heat / Bottom heat only	●	●	-	-
Hotair grilling	●	●	-	●
Full / half width variable grill	●	●	● / -	● / -
Pizza Setting	●	-	-	●
Low temperature cooking	●	-	-	-
Keep warm / Plate warming	●	-	●	-
Microwave	●	●	●	●
Microwave combined with Hotair, Top & bottom heat, Hotair Grilling, Grill	●	●	-	-
Microwave combined with Hotair / Grill	-	● / -	●	●
Microwave combined with Hotair Grilling	-	●	●	-
100% steam	-	-	-	-
Added Steam option	-	-	-	-
Fast heat	●	●	-	●
PERFORMANCE / TECHNICAL INFORMATION				
Oven capacity (L)	45	45	44	44
Energy efficiency index ¹	-	-	-	-
Energy efficiency class ¹	-	-	-	-
Energy consumption per cycle Hotair (kWh) ¹	-	-	-	-
Energy consumption per cycle conventional (kWh) ¹	-	-	-	-
Time to cook standard load (mins.) ¹	-	-	-	-
Largest baking sheet area (cm ²)	1290	1290	-	-
Installation in tall housing / under work surface	●	●	●	●
Inverter technology ²	●	●	-	-
Maximum Microwave Power in W3 / No. of power levels	900 / 5	900 / 5	900 / 5	900 / 5
Turntable diameter (mm)	-	-	-	360
Total connected loading (W)	3650	3650	3350.120	3350
Cable length (cm)	120	120	180	180
Water tank capacity (L)	-	-	-	-
STANDARD ACCESSORIES				
Wire Shelves / Full width enamelled pan	2 / 1	2 / 1	Wire Rack	2 wire racks
Steam trays	-	-	-	-

● = yes - = no



OVEN TYPE	MICROWAVE	MICROWAVE	MICROWAVE	MICROWAVE WITH GRILL
DESIGN FAMILY	SERIES 8	SERIES 6	SERIES 6	SERIES 4
BRUSHED STEEL	-	-	-	BEL553MS0B
BLACK	CEG732XB1B	BFL554MB0B	BFL524MB0B	-
WHITE	-	-	-	-
KEY FEATURES				
Control Wheel, TFT Display	●	-	-	-
Control dials / White LCD or Red LED Display	-	● / White	● / White	● / Red
Stainless steel interior	●	●	●	●
Left hinged door	-	●	●	●
Electronic	●	●	●	●
Automatic programmes	10	7	7	8
Electronic door opening	-	-	-	●
Memory function	-	-	-	1
Microwave	●	●	●	●
Quartz grill	-	-	-	●
Microwave and Grill Combination operation	-	-	-	●
PERFORMANCE / TECHNICAL INFORMATION				
Useable oven capacity (L)	36	25	20	25
Inverter technology ¹	-	-	-	-
Maximum microwave power (W) ²	1000	900	800	900
Number of microwave power levels	5	5	5	5
Microwave distribution	-	Turntable	Turntable	Turntable
Turntable diameter (mm)	-	315	255	315
Total connected loading (W)	-	1450	1270	1450
Cable length (cm)	150	130	130	130
GB plug	-	●	●	●
Installation in tall housing	-	●	●	●
Installation 60cm wide wall unit	-	-	●	-
Installation 50cm wide wall unit	-	-	-	●
STANDARD ACCESSORIES				
Glass pan	1	1	1	-
Wire rack	-	-	-	-

● = Yes - = No

¹ For further information on inverter technology, please go to https://media3.bosch-home.com/Documents/MCDOC03402966_BOSCH_microwave_details_19.pdf

² For inverter models, the maximum setting offers a time limited boost option for heating liquids. To ensure optimal results and to protect the appliance, the microwave power output is reduced in stages over the first few minutes down to the next power level (600W). After a cooling period, the microwave boost option will be available once more.

Ovens with integral microwave – When teamed with a single oven, Bosch compact ovens with microwave offer a great alternative to a double oven if you require more space for traditional cooking. Designed first and foremost to function as an oven, with construction, features and functions identical to a traditional single oven, these models benefit from the addition of microwaves at low medium power (max 360W) to deliver oven-led combination cooking, which speeds up the cooking process while retaining traditional cooking results.
 Microwave Combination Ovens – These models are designed to provide more functionality than a solo microwave oven, focussing on combination cooking, with the microwave using higher power (max. 600W) to lead the cooking process, supported by Hotair or grill functions to deliver speedy crisp and browned results. Based around a more traditional microwave functionality these models offer the perfect solution if regular microwave heating is the priority, but with the back-up of separate or combination Hotair cooking and grill functionality if required. These models are designed to operate best in combination mode, so when heating using microwave only, it may be necessary to adjust cooking times.

MICROWAVE	MICROWAVE WITH GRILL	MICROWAVE	MICROWAVE
SERIES 4	SERIES 4	SERIES 4	SERIES 2
BFL553MS0B	BEL523MS0B	BFL523MS0B	-
BFL553MB0B	-	BFL523MB0B	BFL523MS3B
-	-	BFL523MW0B	-
-	-	-	-
● / Red	● / Red	● / Red	● / Red
●	●	●	●
●	●	●	●
●	●	●	-
7	8	7	7
●	●	●	-
1	1	1	1
●	●	●	●
-	●	-	-
-	●	-	-
PERFORMANCE / TECHNICAL INFORMATION			
25	20	20	17
-	-	-	-
900	800	800	800
5	5	5	5
Turntable	Turntable	Turntable	Turntable
315	255	255	245
1450	1270	1270	1270
130	130	130	130
●	●	●	●
●	●	●	-
-	●	●	-
-	-	-	●
STANDARD ACCESSORIES			
-	-	-	-
-	1	-	-

All models comply with COMMISSION REGULATION (EC) No 1275/2008 with regard to ecodesign requirements for standby and off mode electric power consumption.

All models comply with COMMISSION REGULATION (EC) No 1275/2008 with regard to ecodesign requirements for standby and off mode electric power consumption.



Capacity
20L



Capacity
20L



Capacity
20L

OVEN TYPE	MICROWAVE OVEN	MICROWAVE OVEN	MICROWAVE OVEN WITH GRILL
DESIGN FAMILY	SERIES 2	SERIES 2	SERIES 2
MODEL	FFL023MS2B	FEL023MS2B	FFL023MW0B
DESIGN			
Electronic controls	•	•	•
Control Dial	•	•	•
Retractable control dial	1	1	1
Push buttons	•	•	•
Left hinged door	•	•	•
Door Open Button	•	•	•
FEATURES			
Electronic clock timer	Red LED	Red LED	Red LED
Interior lights	1 standard	1 standard	1 standard
Max. 99 minute timer	•	•	•
Max. 60 minute timer	-	-	-
Stainless steel interior	-	•	-
Laquered interior	•	-	•
Glass turntable	•	•	•
PROGRAMMES / FUNCTIONS			
Microwave	•	•	•
Quartz grill	-	•	-
Microwave and Grill Combination operation	-	•	-
Microwave / grill combination programmes	-	1	-
Automatic programmes	7	8	7
Memory function	•	•	•
PERFORMANCE / TECHNICAL INFORMATION			
Cavity dimensions (HxWxDmm)	215x337x354	194x290x274	194x290x274
Useable oven capacity (L)	20	20	20
Microwave distribution	Turntable	Turntable	Turntable
Turntable diameter (mm)	270	245	270
Maximum microwave power (W)	800	800	800
Number of microwave power levels	5	5	5
Grill power (W)	-	1000	-
Voltage (V)	230	270	230
Total connected loading (W)	1450	1270	1270
Cable length (cm)	130	130	130
GB plug	•	•	•
STANDARD ACCESSORIES			
Wire rack	-	1	-
Turntable	1	1	1

• = Yes - = No



Capacity
20L



Capacity
20L

OVEN TYPE	MICROWAVE OVEN	MICROWAVE OVEN
DESIGN FAMILY	SERIES 2	SERIES 2
MODEL	FEL020MS2B	FFL020MS2B
DESIGN		
Electronic controls	-	-
Control Dial	•	•
Retractable control dial	-	-
Push buttons	•	•
Left hinged door	•	•
Door Open Button	•	•
FEATURES		
Electronic clock timer	-	-
Interior lights	1 standard	1 standard
Max. 99 minute timer	-	-
Max. 60 minute timer	•	•
Stainless steel interior	-	-
Laquered interior	•	•
Glass turntable	•	•
PROGRAMMES / FUNCTIONS		
Microwave	•	•
Quartz grill	•	-
Microwave and Grill Combination operation	•	-
Microwave / grill combination programmes	-	-
Automatic programmes	-	-
Memory function	-	-
PERFORMANCE / TECHNICAL INFORMATION		
Cavity dimensions (HxWxDmm)	194x290x274	194x290x274
Useable oven capacity (L)	20	20
Microwave distribution	Turntable	Turntable
Turntable diameter (mm)	245	270
Maximum microwave power (W)	800	800
Number of microwave power levels	5	5
Grill power (W)	1000	-
Voltage (V)	230	230
Total connected loading (W)	1270	1270
Cable length (cm)	130	130
GB plug	•	•
STANDARD ACCESSORIES		
Wire rack	1	-
Turntable	1	1

• = Yes - = No



OVEN TYPE	WARMING DRAWER	WARMING DRAWER	WARMING DRAWER
DESIGN FAMILY	SERIES 8	SERIES 8	SERIES 6/4
BRUSHED STEEL	-	-	BIC510NS0B
BLACK	BID7101B1B	BIC7101B1B	BIC510NB0
KEY FEATURES			
Keep warm	•	•	•
Plate warming	•	•	•
Defrost	•	•	•
Low temperature cooking	•	•	-
Operating indicator light	Red	Red	Red
Electronic control	•	•	-
Rotary temperature control dial	•	•	•
Number of settings	4	4	3
Maximum temperature (°C)	80	80	80
Minimum temperature (°C)	40	40	40
Maximum loading (plates)	40	12	14
Maximum loading (espresso cups)	192	64	64
Toughened glass drawer base	•	•	-
Anti slip mat	-	-	•
Push-Pull opening mechanism	•	•	•
PERFORMANCE / TECHNICAL INFORMATION			
Drawer interior volume (L)	52	20	23
Maximum weight capacity (kg)	25	25	15
Install independently	•	•	•
Install with a compact appliance	Serie 8	Serie 8	Serie 6/4
Install with a single oven	Serie 8	Serie 8	Serie 6/4
Installation in a tall housing	•	•	•
Installation under work surface	•	•	•
Nominal voltage (V)	220-240	220-240	220-240
Total connected loading (W)	810	810	400
Cable length (cm)	150	150	150
GB plug	•	•	•

• = Yes - = No

All models comply with COMMISSION REGULATION (EC) No 1275/2008 with regard to ecodesign requirements for standby and off mode electric power consumption.

Smart Coffee Centre.

Your very own barista.

When you take your coffee seriously, your coffee machine needs to be seriously impressive. With the Home Connect enabled Coffee Centre, you get your very own virtual barista, skilled at producing delicious coffees from all over the world.

Using Coffee World, built into the Home Connect app, you are able to create almost twenty superb drinks and international favourites at the touch of a button. Your kitchen becomes your new favourite coffee shop.

Playlist.

Making drinks for lots of people? There's no need to memorise the list. Simply use the Home Connect app everyone to select their favourite drink.



Your coffee, your way.

Replicating your perfect cup of coffee can sometimes feel impossible. Home Connect now makes getting the perfect coffee easier than ever. Simply save your perfect coffee as a favourite in the Home Connect app to access it in one touch from your Smartphone or Smartwatch. Then sit back and let the machine take over. Treat yourself to the cup of coffee you know and love.



Pair with a Bosch warming drawer for seamless design next to a full-sized single oven.

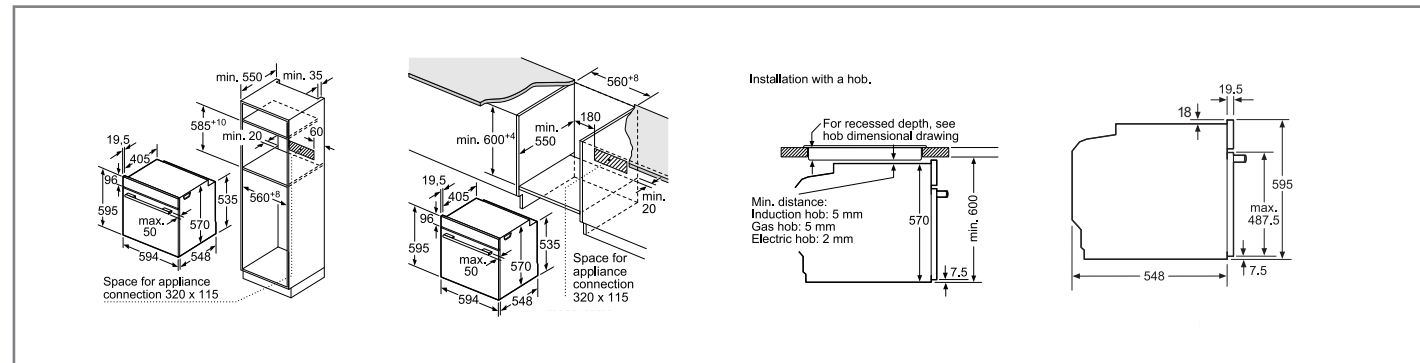
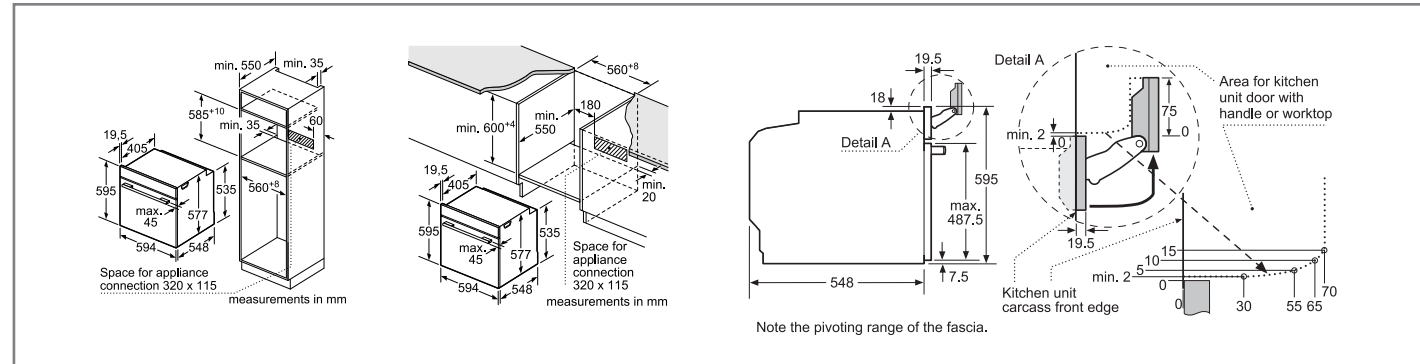


OVEN TYPE	COFFEE CENTRE
DESIGN FAMILY	SERIES 8
MODEL	CTL7181B0
KEY FEATURES	
Control Wheel, TFT Display	Pro
Home Connect	•
Electronic control	•
Senso Flow System	•
Aroma pressure system	•
Auto Valve System	•
Ceramic coffee grinders	•
Multilevel grinding setting	•
Cup illumination	•
Height adjustable milk / coffee outlet (mm)	7-15
Adjustable automatic switch off setting	•
Integrated water filter	•
PROGRAMMES / FUNCTIONS	
Personalised milk beverage, milk foam, hot water, warm milk, ristretto, coffee, espresso, cappuccino, latte macchiato, caffè latte, espresso macchiato	1 or 2 cup
One touch function for milk drinks	•
Coffee / hot Water temperature options	3/4
Milk foam/frothing function	•
Hot Milk function	•
Cleaning / de-scaling / combined programmes	•
Automatic rinse when switched on/off	•
PERFORMANCE / TECHNICAL INFORMATION	
Installation in a tall housing	950-1450mm high
Left hinged door to access interior	•
Insulated Milk container capacity (L)	0.5
Brewing chamber volume (g)	8-12
Bean container capacity (g)	500
Ground coffee container	•
Water tank capacity (L)	2.4
Total connected loading (W)	1600
Cable length (in cm)	170

• = Yes - = No

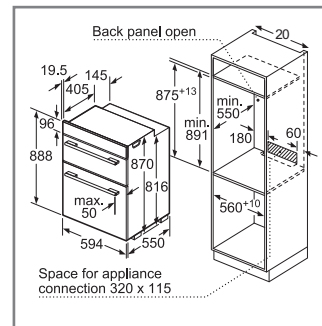
Ovens technical diagrams

Single and double ovens



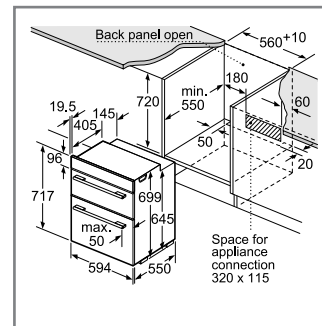
Single ovens

HBG7784B1, HMG7764B1B, HRG7764B1B, HBG7764B1B, HBG7741B1B, HRG579BB6B, HBG579BB6B, HRS574BS0B, HBS573BS0B, HBS573BB0B, HSG7584B1, HSG7364B1B, HBG7341B1B, HBG539BB6B, HRS534BS0B, HBS534BS0B, HBS534BB0B, HBS534BW0B



Built-in double ovens

MBA5785S6B, MBA5575S0B, MBA5350S0B, MBS533BS0B, MBS533BB0B, MBS533BW0B



Built-under double ovens

NBS533BS0B, NBS533BB0B

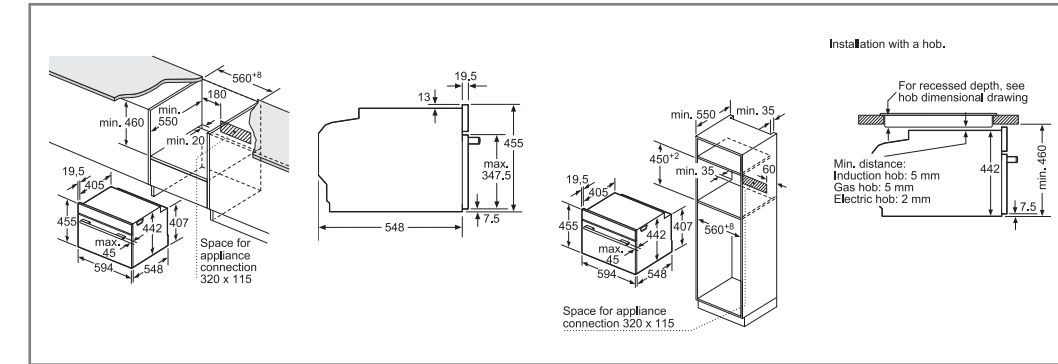
All diagram measurements are in millimetres (mm)

We try to keep up to date with constant technological improvements, so from time to time we may update installation guidelines. Therefore we strongly recommend that you download the latest installation guidelines from www.bosch-home.co.uk. Line drawings are for guidance only, and we recommend that you refer to the latest installation guidelines. Though every care is taken to ensure instructions are correct at the time of printing, Bosch cannot accept responsibility for incorrect planning or installation as a result of the use of these line drawings.

Explore more at bosch-home.co.uk / bosch-home.ie

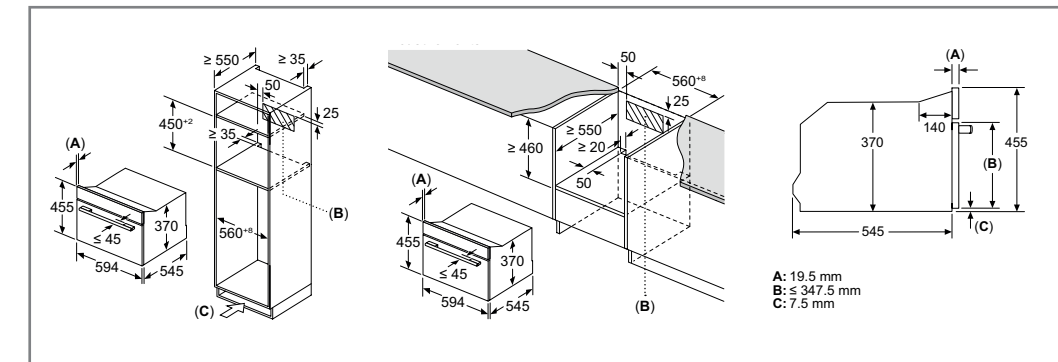
Compact appliances technical diagrams

Compact ovens, compact steam ovens, compact microwave combination oven



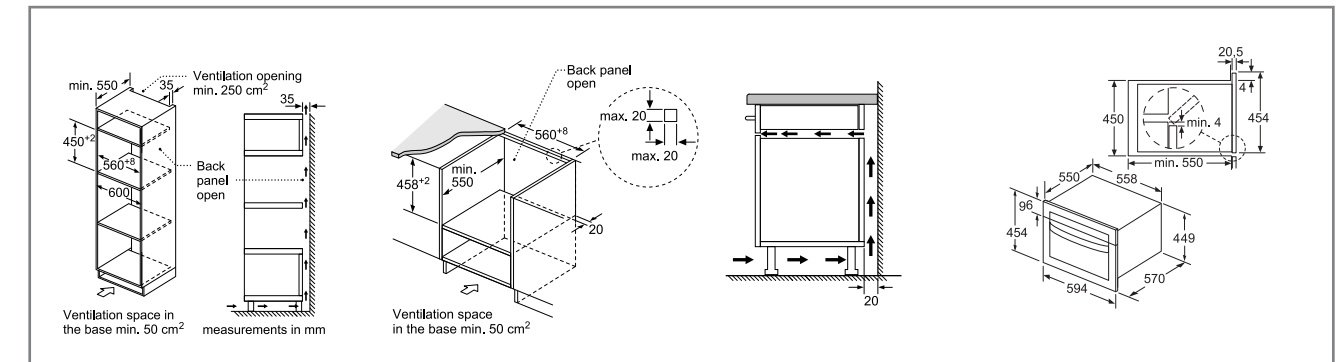
Compact oven (with added steam) CSG7584B1, CSG7361B1 Compact ovens (with microwave)

CMG778NB1, CMG7761B1B, CMG7361B1B, CMG7241B1B



Compact Microwave

CEG732XB1B



Compact Combination Microwave Ovens CMA585GB0B, CMA583MS0B, CMA583MB0B

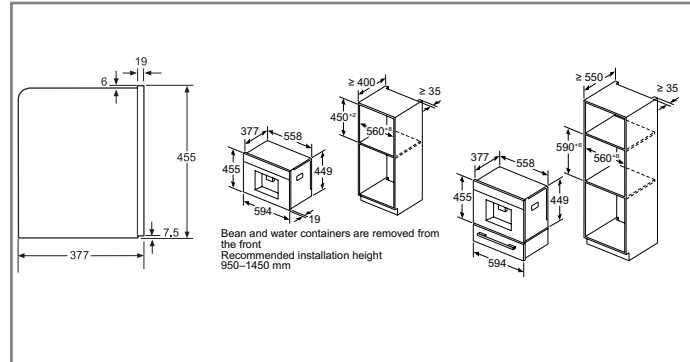
All diagram measurements are in millimetres (mm)

All models comply with COMMISSION REGULATION (EC) No 1275/2008 with regard to ecodesign requirements for standby and off mode electric power consumption. We try to keep up to date with constant technological improvements, so from time to time we may update installation guidelines. Therefore we strongly recommend that you download the latest installation guidelines from www.bosch-home.co.uk. Line drawings are for guidance only, and we recommend that you refer to the latest installation guidelines. Though every care is taken to ensure instructions are correct at the time of printing, Bosch cannot accept responsibility for incorrect planning or installation as a result of the use of these line drawings.

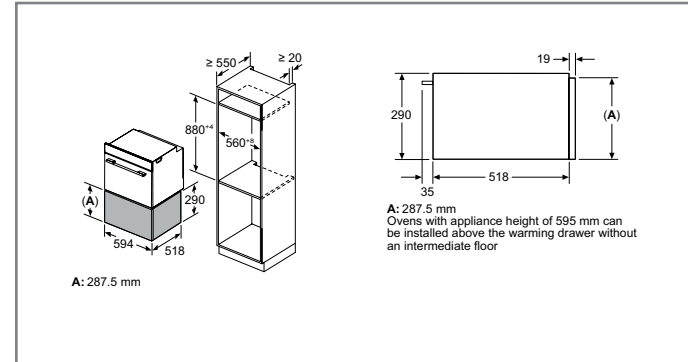
Making **life easy** through innovative technologies

Compact appliances technical diagrams

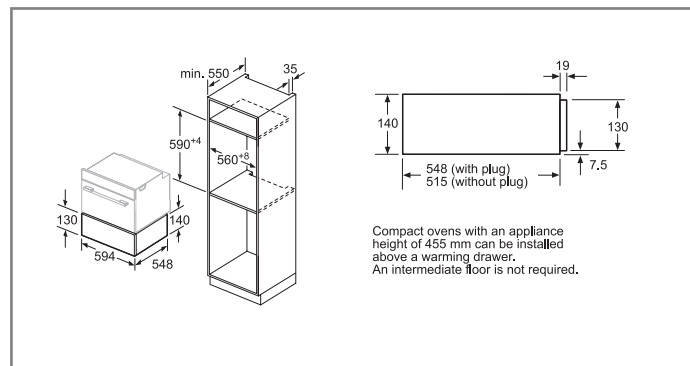
Compact coffee maker, warming drawers



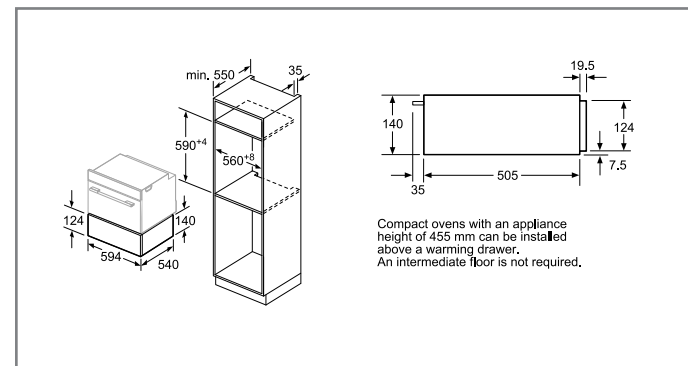
Coffee maker CTL7181B0



Warming drawer BID7101B1B installed with 60cm high single oven.

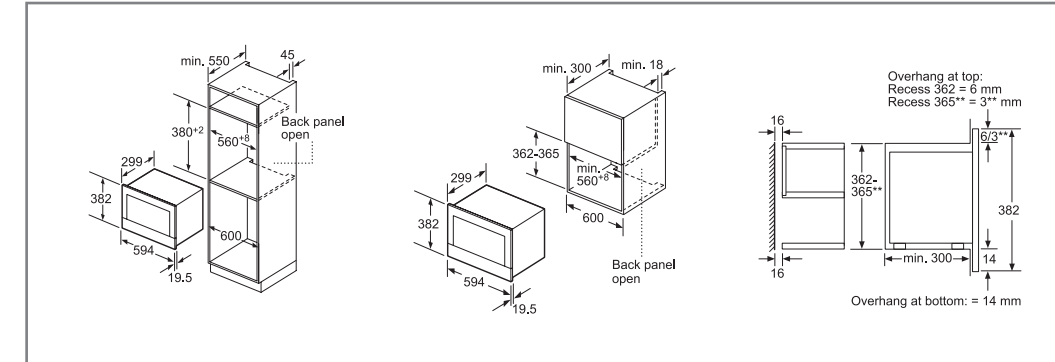


Warming drawers BIC7101B1B installed with 45cm high oven.

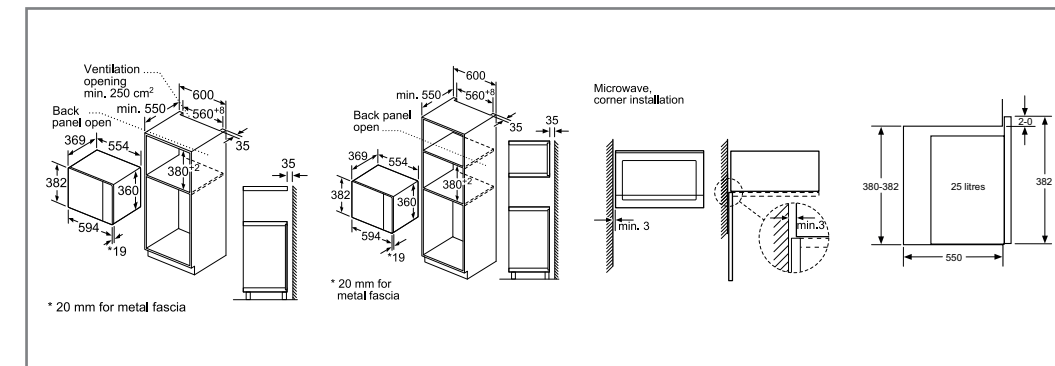


Warming drawers BIC510NS0B, BIC510NB0 installed with 45cm high oven.

Microwave ovens



Microwaves BFL7221B1B

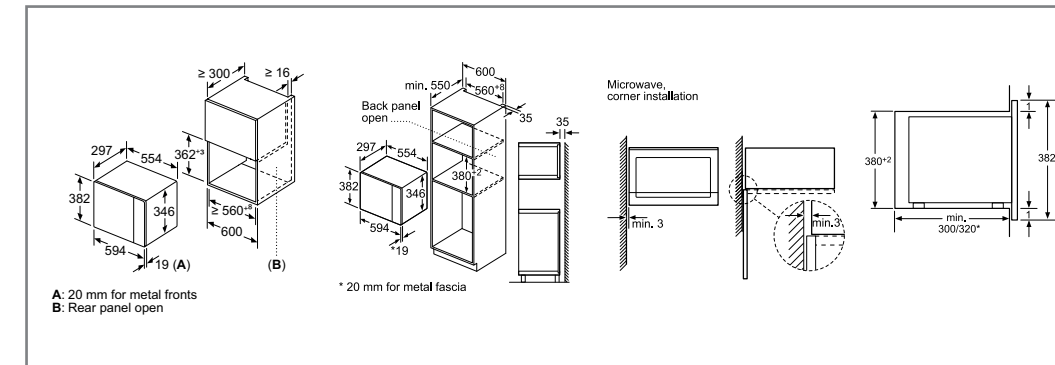


Microwaves BFL554MB0B, BFL524MB0B, BEL553MS0B, BFL553MS0B, BFL553MB0B

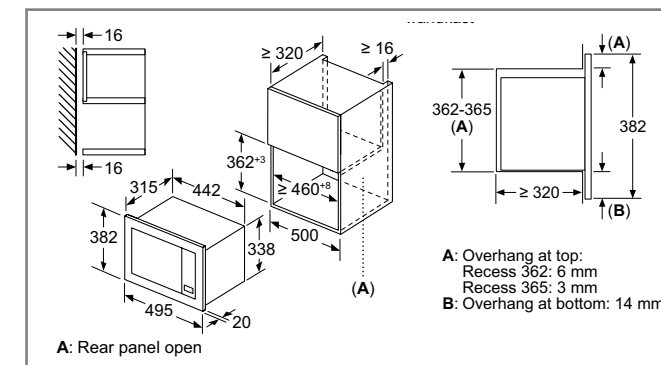
Oven and compact appliance accessories

	SERIES 8		SERIES 4 & 6		
	Single Ovens	45cm Compact Ovens	Single Ovens	Compact Ovens	Double Ovens*
ROASTING & BAKING ACCESSORIES					
HEZ530000	Two piece slim pan set for Series 6 and Series 4 single and double ovens	-	•	-	•
TELESCOPIC RAILS					
HEZ638000	1 pair of level independent telescopic shelf rails with stop, fully extendible, for non-pyrolytic, non-full steam Series 8 ovens	•	-	-	•
HEZ638070	1 pair of level independent telescopic shelf rails with stop, fully extendible, for Series 8 pyrolytic ovens	•	-	-	•
HEZ638D00	1 pair of level independent telescopic shelf rails with stop, fully extendible, for Series 8 steam ovens	•	-	-	•
HEZ629070	Air Fryer & Grill tray. Required for Air Fry Function, for Series 8 ovens	•	-	-	•
HEZ538000	1 pair of level independent telescopic rails for Series 6 & 4 single and double ovens	-	•	-	•
INSTALLATION ACCESSORIES					
HEZ6BMA00	Metal platform and brackets suited to a combination of Series 8 60cm Single ovens and 45cm Compact ovens in column (special single aperture required)	•	•	-	-
HEZ660060	Cosmetic decor strip compatible with 60cm single and 45cm compact ovens	•	•	•	-

• = Yes - = No



Microwaves BEL523MS0B, BFL523MS0B, BFL523MB0B, BFL523MW0B



BFL523MS3B

Optional accessories not suited for use during pyrolytic cleaning cycle

All diagram measurements are in millimetres (mm)

All models comply with COMMISSION REGULATION (EC) No 1275/2008 with regard to ecodesign requirements for standby and off mode electric power consumption. We try to keep up to date with constant technological improvements, so from time to time we may update installation guidelines. Therefore we strongly recommend that you download the latest installation guidelines from www.bosch-home.co.uk. Line drawings are for guidance only, and we recommend that you refer to the latest installation guidelines. Though every care is taken to ensure instructions are correct at the time of printing, Bosch cannot accept responsibility for incorrect planning or installation as a result of the use of these line drawings.

All diagram measurements are in millimetres (mm)

All models comply with COMMISSION REGULATION (EC) No 1275/2008 with regard to ecodesign requirements for standby and off mode electric power consumption. We try to keep up to date with constant technological improvements, so from time to time we may update installation guidelines. Therefore we strongly recommend that you download the latest installation guidelines from www.bosch-home.co.uk. Line drawings are for guidance only, and we recommend that you refer to the latest installation guidelines. Though every care is taken to ensure instructions are correct at the time of printing, Bosch cannot accept responsibility for incorrect planning or installation as a result of the use of these line drawings.

Introducing the Bosch hob range

As you would expect from Bosch, all our electric hobs are made using high quality materials, are easy to use and add contemporary elegance to any kitchen.

To help you choose the right electric hob for your home we have divided them into the three ranges below.

TO FIND OUT MORE ABOUT OUR BOSCH INDUCTION HOB RANGE, PLEASE SCAN THE QR CODE BELOW:



Model shown: PXY875KW1E

Series 8

Our **Series 8** range of electric hobs combines convenience and elegant design, allowing you to select individual cooking zones and power levels. All controlled at just the touch of a button with the modern touch control, TFT or DirectSelect Premium control.

Series 6

Expect excellent operation and timeless designs with our **Series 6** range of hobs. You'll get premium engineering and materials, so that you can always cook something a little bit special. Get ultimate control with the easy to use DirectSelect touch control.

Series 4

Featuring a range of **Series 4** electric hobs that are convenient and simple to operate, our essential range maintains classic design with contemporary style.

Hob functions explained.

Check model for available functions.

PerfectFry: Our clever Frying Sensor measures the temperature in the pan for perfect results.

PerfectCook: Control your cooking by the temperature in the pan rather than the power level with our smart Cooking Sensor*, which easily attaches to the side of your induction pot.

*This feature requires the additional purchase of a Cooking Sensor to operate.

Power Boost: This function allows you to increase the power of the cooking zone by up to 50% - perfect for large pots and pans or when you're in a hurry.

Automatic pan recognition: Only heats up the base of the pan and not the rest of the zone, which doesn't waste energy and leaves the rest of the hob cool to touch.

Freeze: In case of any spills, the function freezes all the heat settings so you can thoroughly wipe and clean the hob surface. To restore the previous heat settings simply touch the button again!

TFT-touch display: Clear text and pictures allow simple operation of the integrated touch display.

Assist: Automatic setting of the ideal power level recommendation and cooking time for countless dishes.

Flex Induction Zone: Get more flexibility by combining the cooking zones into one big zone for placing small pots and large cookware. The amount of usable surface on the hob is maximised to accommodate even the largest of cookware, including griddle plates and Teppan Yaki.

Combi Zone: Two cooking zones can be linked, making the switch from small to large pans effortless.

Move Mode: Automatically switches from boil to simmer with a simple slide of the saucepan.

Hob-Hood Control: Convenient operation of the hood via your hob. Hoods with Home Connect will automatically turn on or off and increase or decrease in extraction level based on cooking needs, food smells and vapour.

Child Safety: The built-in lock function locks the surface of your hob and prevents it from being used accidentally, giving you the highest level of safety.

DirectSelect: Set the correct temperature with a single touch. No more scrolling up or down, just simply press one button to select the right heat level. Models with **DirectSelect Premium** touch controls feature an additional minimum temperature setting giving you added cooking control.

Explore more at [bosch-home.co.uk](https://www.bosch-home.co.uk) / [bosch-home.ie](https://www.bosch-home.ie)

Venting hobs range

TO FIND OUT MORE ABOUT OUR BOSCH VENTING HOB RANGE, PLEASE SCAN THE QR CODE BELOW:



The Perfect combination.

To give you more freedom and flexibility in designing your kitchen, we've developed hobs with an integrated ventilation module. These hobs combine the latest technologies of our induction hobs and cooker hoods in a single appliance. The integrated ventilation module extracts steam and odours at their source.

The **Series 8 PerfectAir** venting hob removes odours from the source, leading to fewer cooking smells in the kitchen. It can be easily installed into the work surface to suit any kitchen design and has the added convenience of being easy to clean. Thanks to the **PerfectFry** sensor and **PerfectCook** sensor on the hob, you can achieve perfect results whether you're frying or boiling.

For more information on types of installation for Venting Hobs, please see pages 46 & 47.

PerfectAir

Now your cooker hood can automatically control the air that you breathe.

PerfectAir is our advanced feature that clears the air without you having to do anything. A sensor constantly detects the levels of cooking odours in the air and adjusts the power level - from light use to intensive - to ensure your kitchen air is always clean and fresh.

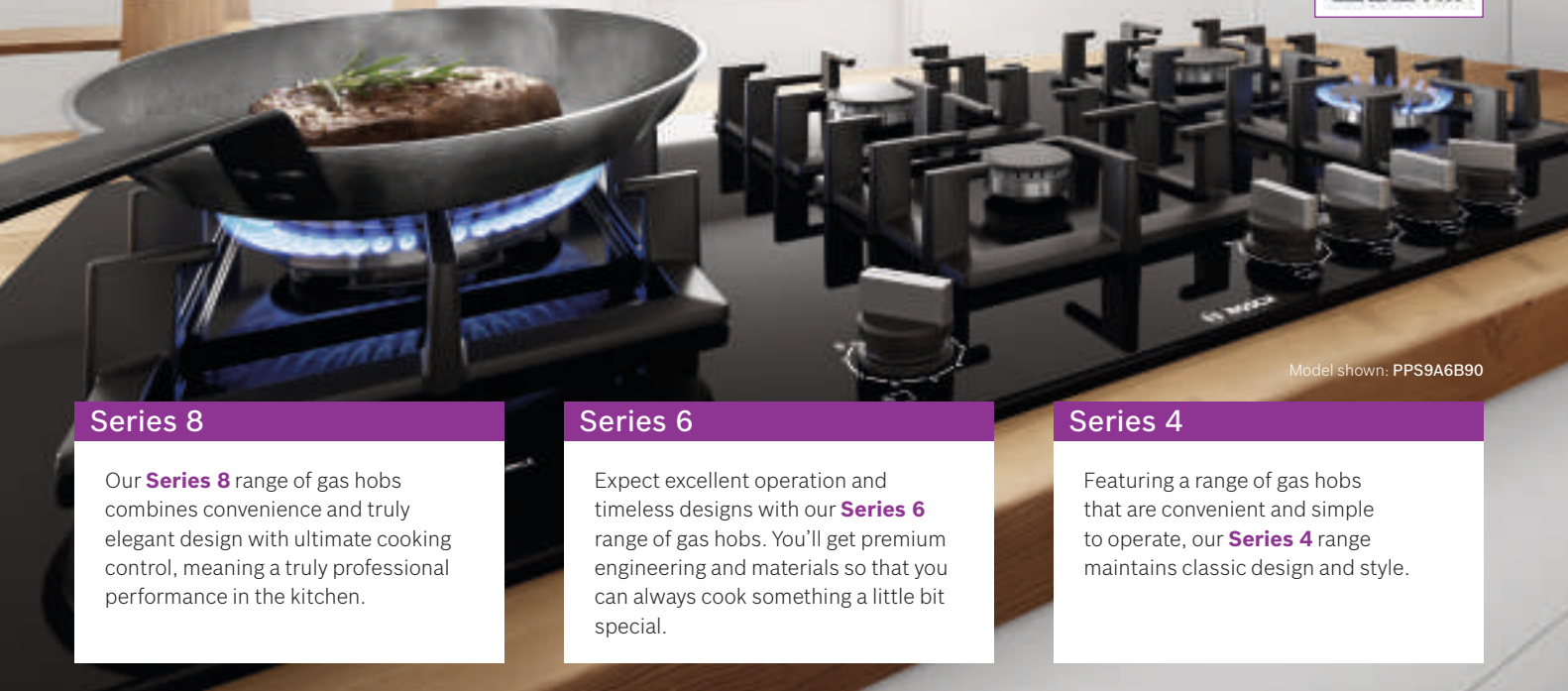
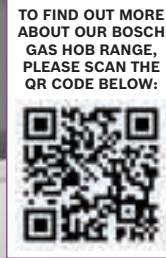


Model shown: PXX875D67E

Making **life easy** through innovative technologies

Gas hob range

Welcome to intuitive cooking. The advanced technology built into our hobs makes cooking on gas simple and precise. Understanding how you cook means we've been able to design a FlameSelect feature that lets you fry, stew, steam and boil with confidence – without constantly checking the flame.



Model shown: PPS9A6B90

Series 8

Our **Series 8** range of gas hobs combines convenience and truly elegant design with ultimate cooking control, meaning a truly professional performance in the kitchen.

Series 6

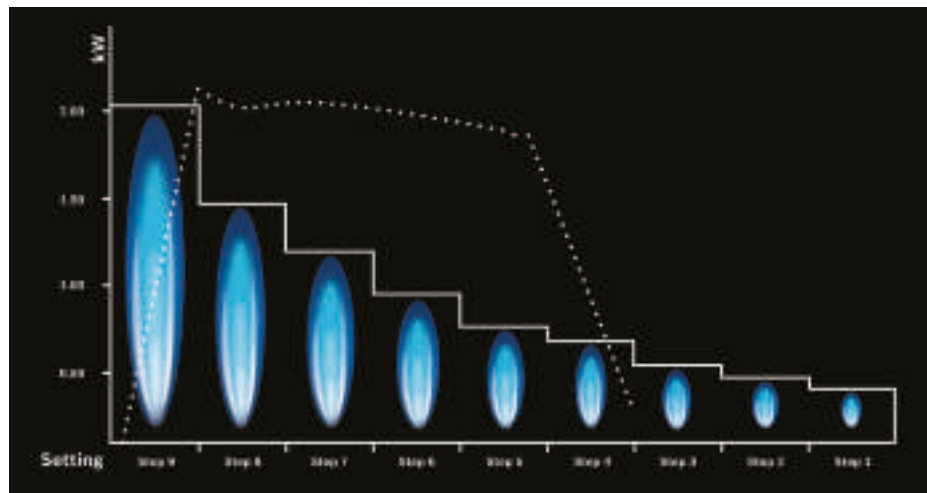
Expect excellent operation and timeless designs with our **Series 6** range of gas hobs. You'll get premium engineering and materials so that you can always cook something a little bit special.

Series 4

Featuring a range of gas hobs that are convenient and simple to operate, our **Series 4** range maintains classic design and style.

Flame Select Gas without the guesswork.

The gas cooktops with Flame Select are equipped with nine precisely defined power levels which let you adjust the required heat easily and reliably. For simply perfect cooking results.



Flame Select

We're taking the guesswork out of using a gas hob. Our innovative Step Valve technology regulates the gas output precisely, so you're able to choose the size of flame. With an easy-to-use setting, all you need to do is decide which of the 9 power settings you want. At last, Flame Select gives you the confidence to cook on gas without leaning down to check it.

Flame size based on gas setting and energy consumption

Explore more at bosch-home.co.uk / bosch-home.ie

Gas hob functions explained.

Check model for available functions.

Flame Select: A precise adjustment of the flame in nine defined levels.

Wok burner: Powerful cooking at up to 4 kW.

Standard and semi-flush built-in option: Choose between flush or surface mounted installation.

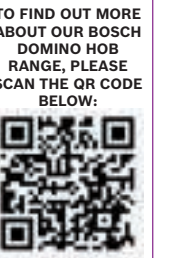
Tempered-glass surface: Elegant design and easy cleaning.

Continuous cast-iron pan support: For high firmness and stability of cookware.

.....
Standard gas hob valve power output.

—————
Flame Select valve power output.

Design match



If you want a selection of cooking options within your kitchen, this can be realised with a combination of our worktop cooking appliances. You can select everything from our great range of Induction, Ceramic or Gas hobs and then combine with one of our range of Induction, Ceramic or Gas Domino hobs.

Gas Domino Hobs



PRA3A6B70



PRB3A6B70

Induction Domino Hob



PIB375FB1E

Ceramic Domino Hob



PKF375FP2E

These hob appliances can be arranged side-by-side to create a larger cooking surface area, or positioned on their own to create a separate cooking space. Ideal for smaller kitchens that do not have the space for large hobs.

TIP: Ensure your extractor hood is the same width as the worktop appliance you choose.



A touch of the Orient

Powerful, dual ring wok burners are perfect for oriental cooking. They deliver a boost both in power and speed, but can also be used very effectively at lower settings when required.



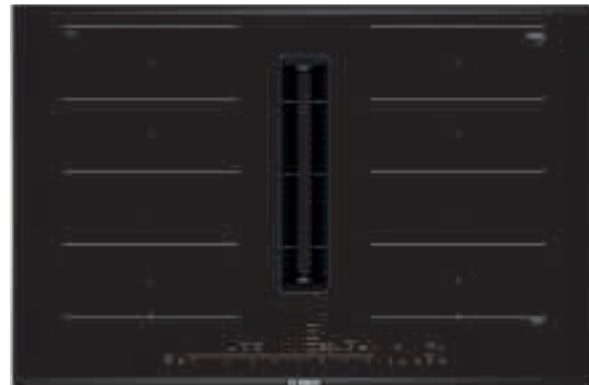
Smart design

Square design pan supports don't just look good, but provide more stability for pots and pans. Cleverly designed to fit together, they are separate pieces, which make them easy to handle and clean. The elegant tempered glass base allows for a choice of surface mounting for quick and easy installation, or flush mounting.

TYPE	FLEX INDUCTION	FLEX INDUCTION
SERIES	SERIES 8	SERIES 6
MODEL NUMBER	PXX875D67E	PVQ731F15E
Width in mm	816	710
Control position	Front	Front
Control type	DirectSelect Premium	DirectSelect
Style	Comfort Profile	Front Bevel
KEY FEATURES		
Home Connect	●	-
Integrated extractor	●	●
PerfectCook temperature sensor ready	HEZ39050 required	-
PerfectFry Sensor settings for hob	5 settings	-
Automatic extraction	Fully sensor based	Auto-On
Number of Flex Induction zones	2	-
Number of Combi Induction zones	-	2: Left & Right
HOB FEATURES		
Number of individual zones	4	4
Power levels	17	17
Power Boost	●	●
Pan Boost	●	-
Move Mode	3 stages	2 stages
Energy Consumption Display	●	●
Keep warm function	●	-
Quick Start	●	●
Automatic setting transfer	●	-
ReStart	●	●
Demo Mode	●	-
Dish Categories/ Setting Recommendations	●	-
Wipe protection function	●	●
SAFETY FEATURES		
Residual Heat Indicator	●	●
Childproof Lock	●	●
Countdown timer	●	●
Safety Time Switch off	●	●
Pan recognition	●	●
Count up Timer	●	-
Main on/off switch	●	●
HOOD FEATURES		
PerfectAir Sensor	●	-
Metal grease filter	●	●
Power levels	17 + 2 Intensive	9 + 2 Intensive
Automatic intensive revert setting	6 minutes	6 minutes
Automatic or manual control	●	●
Automatic after running- Extraction / Recirculation	12 / 30 minutes	12 / 30 minutes
Interval operation	●	●
Dishwasher safe grease filter cassette with spillage collection	Yes - 200ml capacity	Yes - 200ml capacity
Dishwasher safe spillage overflow collector	700ml capacity	700ml capacity
Electronic grease filter / cleanAir filter saturation indicators	●	●
PERFORMANCE / TECHNICAL INFORMATION – HOB		
Nominal voltage (V)	220-240	220-240
Maximum power output (W)	7400	7400
Electrical cable length (cm)	110	110
Rear left zone - power (kW) / dimensions (mm)	2.20 200x240	2.20 190x190
Rear right zone - power (kW) / dimensions (mm)	2.20 200x240	2.20 190x190
Front left zone - power (kW) / dimensions (mm)	2.20 200x240	2.20 210x210
Front right zone - power (kW) / dimensions (mm)	2.20 200x240	2.20 210x210
Flex Induction Zone left - power (kW) / dimensions (mm)	3.30 400x240	- -
Flex Induction Zone right - power (kW) / dimensions (mm)	3.30 400x240	- -
Combi Zone left - power (kW) / dimensions (mm)	- -	3.60 380x210
Combi Zone right - power (kW) / dimensions (mm)	- -	3.60 380x210
Rear left zone - with Power Boost (max. kW)	3.70	3.70
Rear right zone - with Power Boost (max. kW)	3.70	3.70
Front left zone - with Power Boost (max. kW)	3.70	3.70
Front right zone - with Power Boost (max. kW)	3.70	3.70
PERFORMANCE / TECHNICAL INFORMATION – EXTRACTOR		
Extractor Energy Efficiency Rating	B	B
Extraction rate in m ³ /h ^(1,2)	-	-
- Ducted / Recirculating power level Minimum	154 / 150	153 / 161
- Ducted / Recirculating power level Maximum	500 / 500	507 / 509
- Ducted / Recirculating power level Intensive	622 / 615	623 / 615
Noise level (sound power) based on dB(A) re 1 pW ^(3,4)	-	-
- Ducted / Recirculating power level Minimum	42 / 41	42 / 41
- Ducted / Recirculating power level Maximum	69 / 68	70 / 68
- Ducted / Recirculating power level Intensive	74 / 72	74 / 72
Motor power (W)	170	170
OPTIONAL ACCESSORIES		
Wireless sensor probe	HEZ39050	-
Cookware set	HEZ9SE030	HEZ9SE030
Rectangular roasting pan with lid (approx. 320x200mm)	HEZ390011	HEZ390011
Steamer pan insert of use with HEZ390011 roasting pan	HEZ390012	HEZ390012
Teppan Yaki (approx. 400x200mm)	HEZ390512	-
Griddle plate (approx. 400x200mm)	HEZ390522	-
Acoustics Filter	HEZ9VEDUO	HEZ9VEDUO
Replacement recirculation filters	HEZ9VRCRO	HEZ9VRCRO
Diffuser required for ducted recirculation	HEZ9VRPD1	HEZ9VRPD1
Ducted recirculation starter kit for min. 60cm deep worktops.	HEZ9VDKR1	HEZ9VDKR1
Ducted recirculation starter kit for min. 70cm deep worktops.	HEZ9VDKR0	HEZ9VDKR0

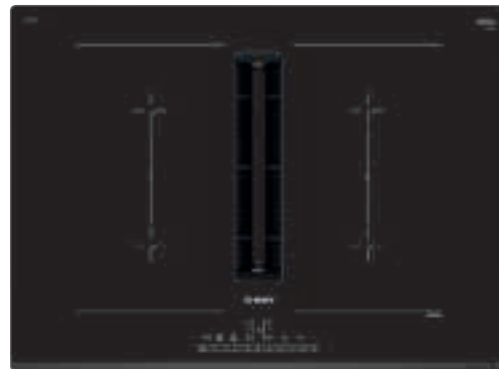
Series 8

PXX875D67E



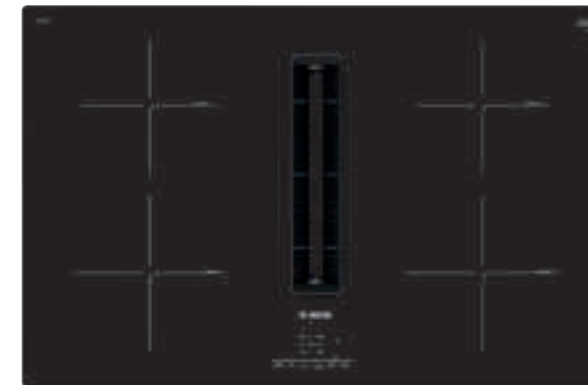
Series 6

PVQ731F15E

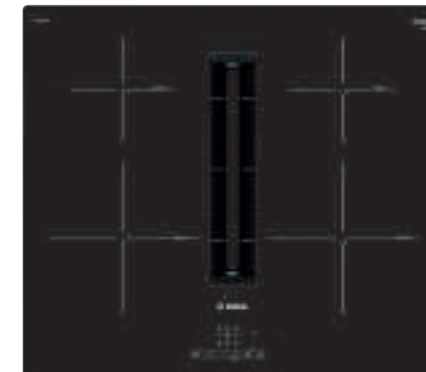


Series 4

PIE811B15E



PIE611B15E



TYPE	FLEX INDUCTION	FLEX INDUCTION
SERIES	SERIES 4	SERIES 4
MODEL NUMBER	PIE811B15E	PIE611B15E
Width in mm	802	592
Control position	Front	Front
Control type	TouchSelect	TouchSelect
Style	Front Bevel	Front Bevel
KEY FEATURES		
Home Connect	-	-
Integrated extractor	●	●
PerfectCook temperature sensor ready	-	-
PerfectFry Sensor settings for hob	-	-
Automatic extraction	Auto-On	Auto-On
Number of Flex Induction zones	-	-
Number of Combi Induction zones	-	-
HOB FEATURES		
Number of individual zones	4	4
Power levels	17	17
Power Boost	●	●
Pan Boost	-	-
Move Mode	-	-
Energy Consumption Display	-	-
Keep warm function	-	-
Quick Start	●	●
Automatic setting transfer	-	-
ReStart	●	●
Demo Mode	-	-
Dish Categories/ Setting Recommendations	-	-
Wipe protection function	●	●
SAFETY FEATURES		
Residual Heat Indicator	●	●
Childproof Lock	●	●
Countdown timer	●	●
Safety Time Switch off	●	●
Pan recognition	●	●
Count up Timer	-	-
Main on/off switch	●	●
HOOD FEATURES		
PerfectAir Sensor	-	-
Metal grease filter	●	●
Power levels	3 + 1 Intensive	3 + 1 Intensive
Automatic intensive revert setting	6 minutes	6 minutes
Automatic or manual control	●	●
Automatic after running- Extraction / Recirculation	12 / 30 minutes	12 / 30 minutes
Interval operation	●	●
Dishwasher safe grease filter cassette with spillage collection	Yes - 200ml capacity	Yes - 200ml capacity
Dishwasher safe spillage overflow collector	700ml capacity	700ml capacity
Electronic grease filter / cleanAir filter saturation indicators	●	●
PERFORMANCE / TECHNICAL INFORMATION – HOB		
Nominal voltage (V)	220-240	220-240
Maximum power output (W)	7400	7400
Electrical cable length (cm)	110	110
Rear left zone - power (kW) / dimensions (mm)	1.40 180x180	1.80 150x150
Rear right zone - power (kW) / dimensions (mm)	1.40 180x180	1.80 150x150
Front left zone - power (kW) / dimensions (mm)	2.20 210x210	2.20 210x210
Front right zone - power (kW) / dimensions (mm)	2.20 210x210	2.20 210x210
Flex Induction Zone left - power (kW) / dimensions (mm)	- -	- -
Flex Induction Zone right - power (kW) / dimensions (mm)	- -	- -
Combi Zone left - power (kW) / dimensions (mm)	- -	- -
Combi Zone right - power (kW) / dimensions (mm)	- -	- -
Rear left zone - with Power Boost (max. kW)	2.20	3.10
Rear right zone - with Power Boost (max. kW)	2.20	3.10
Front left zone - with Power Boost (max. kW)	3.70	3.70
Front right zone - with Power Boost (max. kW)	3.70	3.70
PERFORMANCE / TECHNICAL INFORMATION – EXTRACTOR		
Extractor Energy Efficiency Rating	B	B
Extraction rate in m ³ /h ^(1,2)	-	-
- Ducted / Recirculating power level Minimum	169 / 181	169 / 181
- Ducted / Recirculating power level Maximum	551 / 594	551 / 594
- Ducted / Recirculating power level Intensive	684 / 722	684 / 722
Noise level (sound power) based on dB(A) re 1 pW ^(3,4)	-	-
- Ducted / Recirculating power level Minimum	49 / 47	49 / 47
- Ducted / Recirculating power level Maximum	58 / 57	58 / 57
- Ducted / Recirculating power level Intensive	72 / 70	72 / 70
Motor power (W)	170	170
OPTIONAL ACCESSORIES		
Wireless temperature sensor	-	-
Cookware set	HEZ9SE030	HEZ9SE030
Rectangular roasting pan with lid (approx. 320x200mm)	-	-
Steamer pan insert of use with HEZ390011 roasting pan	-	-
Teppan Yaki (approx. 400x200mm)	-	-
Griddle plate (approx. 400x200mm)	-	-
Ducted operation using accessory kit	HEZ9VEDUO	HEZ9VEDUO
Replacement recirculation filters	HEZ9VRCRO	HEZ9VRCRO
Diffuser required for ducted recirculation	HEZ9VRPD1	HEZ9VRPD1
Ducted recirculation starter kit for min. 60cm deep worktops.	HEZ9VDKR1	HEZ9VDKR1
Ducted recirculation starter kit for min. 70cm deep worktops.	HEZ9VDKR0	HEZ9VDKR0

Refer to page 46 to read more about the installation process.

● = Yes - = No

¹ Power automatically reverts back to normal setting after intensive.

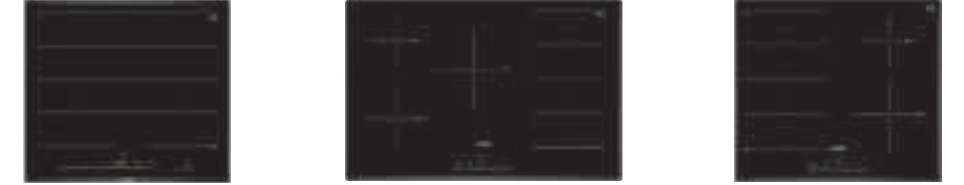
² A type of recirculating kit is required if recirculating.

³ Measured according to EN1591 on largest pipe diameter.



TYPE	FLEX INDUCTION		FLEX INDUCTION		FLEX INDUCTION	
DESIGN FAMILY	SERIES 8		SERIES 8		SERIES 8	
MODEL NUMBER	PXX975KW1E		PXY875KW1E		PXV875DV1E	
Width in mm	916		816		816	
Control position	Front		Front		Front	
Control type	Full Touch Display		Full Touch Display		DirectSelect Premium	
Style	Comfort Profile		Comfort Profile		Comfort Profile	
KEY FEATURES						
Home Connect	●		●		●	
Hob Hood Control	●		●		●	
PerfectCook temperature sensor ready	HEZ39050 required		HEZ39050 required		-	
PerfectFry Sensor settings	5 settings		5 settings		5 settings	
Extended Flex Induction Zone	-		2		-	
Number of Flex Induction Zones	3		2		1	
Number of Combi Zones	-		-		-	
HOB FEATURES						
Number of individual zones	5		4		5	
Cooking Levels	17		17		17	
Power Boost	●		●		●	
Pan Boost	●		●		●	
Move Mode	3-steps		3-steps		3-steps	
Energy Consumption Display	●		●		●	
Keep Warm Function	●		●		●	
Quick Start Function	●		●		●	
Automatic setting transfer	●		●		-	
Restart Function	●		●		●	
Demo Mode	●		●		●	
Dish Categories/ Setting Recommendations	●		●		-	
Wipe Protection Function	●		●		●	
Plug&Play with GB Plug	-		-		-	
SAFETY FEATURES						
Residual Heat Indicator	●		●		●	
Childproof Lock	●		●		●	
Countdown timer	●		●		●	
Safety Time Switch off	●		●		●	
Pan recognition	●		●		●	
Quick Stop	-		-		-	
Count up Timer	●		●		●	
Main on/off switch	●		●		●	
PERFORMANCE / TECHNICAL INFORMATION						
Maximum power output (kW)	11100		7400		7400	
Nominal voltage (V)	220-240		220-240		220-240	
Electrical cable length (cm)	110		110		110	
Rear left Flex Induction zone - power (kW) / dimensions (mm)	2.20	200x240	2.20	200x230	-	-
Rear left zone - power (kW) / diameter (mm)	-	-	-	-	1.40	145
Rear right Flex Induction zone - power (kW) / dimensions (mm)	2.20	200x240	2.20	200x230	2.20	200x210
Rear right zone - power (kW) / diameter (mm)	-	-	-	-	-	-
Rear centre zone - power (kW) / diameter (mm)	2.60	300x240	-	-	2.20	240
Front centre zone - power (kW) / diameter (mm)	-	-	-	-	-	-
Front left Flex Induction zone - power (kW) / dimensions (mm)	2.20	200x240	2.20	200x230	-	-
Front left zone - power (kW) / diameter (mm)	-	-	-	-	1.80	180
Front right Flex Induction zone - power (kW) / dimensions (mm)	2.20	200x240	2.20	200x230	2.20	200x210
Front right zone - power (kW) / diameter (mm)	-	-	-	-	-	-
Flex Induction zone left - power (kW) / dimensions (mm)	3.30	400x240	3.30	400x230	-	-
Flex Induction zone right - power (kW) / dimensions (mm)	3.30	400x240	3.30	400x230	3.30	400x210
Extended Flex Induction rear left - power (kW) / dimensions (mm)	-	-	3.30	300x300	-	-
Extended Flex Induction rear right - power (kW) / dimensions (mm)	-	-	3.30	300x300	-	-
Combi Zone left - power (kW) / dimensions (mm)	-	-	-	-	-	-
Combi Zone right - power (kW) / dimensions (mm)	-	-	-	-	-	-
Rear left zone - with Power Boost (max. kW)	3.70		3.70		2.20	
Rear right zone - with Power Boost (max. kW)	3.70		3.70		3.70	
Rear centre zone - with Power Boost (max. kW)	3.70		-		3.70	
Front left zone - with Power Boost (max. kW)	3.70		3.70		3.10	
Front right zone - with Power Boost (max. kW)	3.70		3.70		3.70	

● = Yes - = No



TYPE	FLEX INDUCTION		FLEX INDUCTION		FLEX INDUCTION	
DESIGN FAMILY	SERIES 8		SERIES 6		SERIES 6	
MODEL NUMBER	PXX675DV1E		PXV851FC1E		PXE651FC1E	
Width in mm	606		802		592	
Control position	Front		Front		Front	
Control type	DirectSelect Premium		DirectSelect		DirectSelect	
Style	Comfort Profile		Bevel Front & Sides		Bevel Front & Sides	
KEY FEATURES						
Home Connect	●		-		-	
Hob Hood Control	●		-		-	
PerfectCook temperature sensor ready	-		-		-	
PerfectFry Sensor settings	5 settings		4 settings		4 settings	
Extended Flex Induction Zone	-		-		-	
Number of Flex Induction Zones	2		1		1	
Number of Combi Zones	-		-		-	
HOB FEATURES						
Number of individual zones	4		5		4	
Cooking Levels	17		17		17	
Power Boost	●		●		●	
Pan Boost	●		●		-	
Move Mode	3-steps		-		-	
Energy Consumption Display	●		●		●	
Keep Warm Function	●		-		-	
Quick Start Function	●		●		●	
Automatic setting transfer	-		-		-	
Restart Function	●		●		●	
Demo Mode	●		-		-	
Dish Categories/ Setting Recommendations	-		-		-	
Wipe Protection Function	●		●		●	
Plug&Play with GB Plug	-		-		-	
SAFETY FEATURES						
Residual Heat Indicator	●		●		●	
Childproof Lock	●		●		●	
Countdown timer	●		-		-	
Safety Time Switch off	●		●		●	
Pan recognition	●		●		●	
Quick Stop	-		-		-	
Count up Timer	●		-		-	
Main on/off switch	●		●		●	
PERFORMANCE / TECHNICAL INFORMATION						
Maximum power output (kW)	7400		7400		7400	
Nominal voltage (V)	220-240		220-240		220-240	
Electrical cable length (cm)	110		110		110	
Rear left Flex Induction zone - power (kW) / dimensions (mm)	2.20	190x240	-	-	2.20	200x240
Rear left zone - power (kW) / diameter (mm)	-	-	1.40	145	-	-
Rear right Flex Induction zone - power (kW) / dimensions (mm)	2.20	190x240	2.20	200x210	-	-
Rear right zone - power (kW) / diameter (mm)	-	-	-	-	1.40	145
Rear centre zone - power (kW) / diameter (mm)	-	-	2.20	240	-	-
Front centre zone - power (kW) / diameter (mm)	-	-	-	-	-	-
Front left Flex Induction zone - power (kW) / dimensions (mm)	2.20	190x240	-	-	2.20	200x240
Front left zone - power (kW) / diameter (mm)	-	-	1.80	180	-	-
Front right Flex Induction zone - power (kW) / dimensions (mm)	2.20	190x240	2.20	200x210	-	-
Front right zone - power (kW) / diameter (mm)	-	-	-	-	2.20	210
Flex Induction zone left - power (kW) / dimensions (mm)	3.30	380x240	-	-	3.30	400x240
Flex Induction zone right - power (kW) / dimensions (mm)	3.30	380x240	3.30	400x210	-	-
Extended Flex Induction rear left - power (kW) / dimensions (mm)	-	-	-	-	-	-
Extended Flex Induction rear right - power (kW) / dimensions (mm)	-	-	-	-	-	-
Combi Zone left - power (kW) / dimensions (mm)	-	-	-	-	-	-
Combi Zone right - power (kW) / dimensions (mm)	-	-	-	-	-	-
Rear left zone - with Power Boost (max. kW)	3.70		2.20		3.70	
Rear right zone - with Power Boost (max. kW)	3.70		3.70		2.20	
Rear centre zone - with Power Boost (max. kW)	-		3.70		-	
Front left zone - with Power Boost (max. kW)	3.70		3.10		3.70	
Front right zone - with Power Boost (max. kW)	3.70		3.70		3.70	

● = Yes - = No

All models comply with COMMISSION REGULATION (EC) No 1275/2008 with regard to ecodesign requirements for standby and off mode electric power consumption. For full specification details, please log onto our website and download a full specification sheet.



TYPE	INDUCTION	INDUCTION	INDUCTION
DESIGN FAMILY	SERIES 6	SERIES 6	SERIES 6
MODEL NUMBER	PVW851FB5E	PIV851FB1E	PVQ651FC5E
Width in mm	802	802	592
Control position	Front	Front	Front
Control type	DirectSelect	DirectSelect	DirectSelect
Style	Bevel Front & Sides	Bevel Front & Sides	Bevel Front & Sides
KEY FEATURES			
Home Connect	-	-	-
Hob Hood Control	-	-	-
PerfectCook temperature sensor ready	-	-	-
PerfectFry Sensor settings	-	-	4 settings
Extended Flex Induction Zone	-	-	-
Number of Flex Induction Zones	-	-	-
Number of Combi Zones	1	-	1
HOB FEATURES			
Number of individual zones	5	5	4
Cooking Levels	17	17	17
Power Boost	●	●	●
Pan Boost	-	-	-
Move Mode	2-steps	-	-
Energy Consumption Display	●	●	●
Keep Warm Function	-	-	-
Quick Start Function	●	●	●
Automatic setting transfer	-	-	-
Restart Function	●	●	-
Demo Mode	-	-	-
Dish Categories/ Setting Recommendations	-	-	-
Wipe Protection Function	●	●	●
Plug&Play with GB Plug	-	-	-
SAFETY FEATURES			
Residual Heat Indicator	●	●	●
Childproof Lock	●	●	●
Countdown timer	-	-	-
Safety Time Switch off	●	●	●
Pan recognition	●	●	●
Quick Stop	-	-	-
Count up Timer	-	-	-
Main on/off switch	●	●	●
PERFORMANCE / TECHNICAL INFORMATION			
Maximum power output (kW)	7400	7400	7400
Nominal voltage (V)	220-240	220-240	220-240
Electrical cable length (cm)	110	110	110
Rear left Flex Induction zone - power (kW) / dimensions (mm)	-	-	-
Rear left zone - power (kW) / diameter (mm)	1.40	145	2.20 210x190
Rear right Flex Induction zone - power (kW) / dimensions (mm)	-	-	-
Rear right zone - power (kW) / diameter (mm)	2.20	210x190	1.40 145 2.20 210x190
Rear centre zone - power (kW) / diameter (mm)	2.20	240	2.20 240
Front centre zone - power (kW) / diameter (mm)	-	-	-
Front left Flex Induction zone - power (kW) / dimensions (mm)	-	-	-
Front left zone - power (kW) / diameter (mm)	1.80	180	1.80 180 2.20 210x190
Front right Flex Induction zone - power (kW) / dimensions (mm)	-	-	-
Front right zone - power (kW) / diameter (mm)	2.20	210x190	2.20 210 2.20 210x190
Flex Induction zone left - power (kW) / dimensions (mm)	-	-	-
Flex Induction zone right - power (kW) / dimensions (mm)	-	-	-
Extended Flex Induction rear left - power (kW) / dimensions (mm)	-	-	-
Extended Flex Induction rear right - power (kW) / dimensions (mm)	-	-	-
Combi Zone left - power (kW) / dimensions (mm)	-	-	3.60 380x210
Combi Zone right - power (kW) / dimensions (mm)	3.60	380x210	3.60 380x210
Rear left zone - with Power Boost (max. kW)	2.20	2.20	3.70
Rear right zone - with Power Boost (max. kW)	3.70	2.20	3.70
Rear centre zone - with Power Boost (max. kW)	3.70	3.70	-
Front left zone - with Power Boost (max. kW)	3.10	3.10	3.70
Front right zone - with Power Boost (max. kW)	3.70	3.70	3.70

● = Yes - = No

TYPE	INDUCTION	INDUCTION	INDUCTION
DESIGN FAMILY	SERIES 4	SERIES 4	SERIES 4
MODEL NUMBER	PIE631BB5E	PWP611BB5E	PUE611BB5E
Width in mm	592	592	592
Control position	Front	Front	Front
Control type	TouchControl	TouchControl	TouchControl
Style	Bevel Front & Sides	Frameless	Frameless
KEY FEATURES			
Home Connect	-	-	-
Hob Hood Control	-	-	-
PerfectCook temperature sensor ready	-	-	-
PerfectFry Sensor settings	-	-	-
Extended Flex Induction Zone	-	-	-
Number of Flex Induction Zones	-	-	-
Number of Combi Zones	-	1	-
HOB FEATURES			
Number of individual zones	4	4	4
Cooking Levels	17	17	17
Power Boost	●	●	●
Pan Boost	-	-	-
Move Mode	-	-	-
Energy Consumption Display	-	-	-
Keep Warm Function	-	-	-
Quick Start Function	●	-	-
Automatic setting transfer	-	-	-
Restart Function	-	-	-
Demo Mode	-	-	-
Dish Categories/ Setting Recommendations	-	-	-
Wipe Protection Function	-	-	-
Plug&Play with GB Plug	-	-	-
SAFETY FEATURES			
Residual Heat Indicator	●	●	●
Childproof Lock	●	●	●
Countdown timer	-	-	-
Safety Time Switch off	●	●	●
Pan recognition	●	●	●
Quick Stop	-	-	-
Count up Timer	-	-	-
Main on/off switch	●	●	●
PERFORMANCE / TECHNICAL INFORMATION			
Maximum power output (kW)	7400	4600	4600
Nominal voltage (V)	220-240	220-240	220-240
Electrical cable length (cm)	110	110	110
Rear left Flex Induction zone - power (kW) / dimensions (mm)	-	-	-
Rear left zone - power (kW) / diameter (mm)	1.80	180	1.80 180 1.80 180
Rear right Flex Induction zone - power (kW) / dimensions (mm)	-	-	-
Rear right zone - power (kW) / diameter (mm)	1.40	145	1.40 145 1.40 145
Rear centre zone - power (kW) / diameter (mm)	-	-	-
Front centre zone - power (kW) / diameter (mm)	-	-	-
Front left Flex Induction zone - power (kW) / dimensions (mm)	-	-	-
Front left zone - power (kW) / diameter (mm)	1.80	180	1.80 180 1.80 180
Front right Flex Induction zone - power (kW) / dimensions (mm)	-	-	-
Front right zone - power (kW) / diameter (mm)	2.20	210	2.20 210 2.20 210
Flex Induction zone left - power (kW) / dimensions (mm)	-	-	-
Flex Induction zone right - power (kW) / dimensions (mm)	-	-	-
Extended Flex Induction rear left - power (kW) / dimensions (mm)	-	-	-
Extended Flex Induction rear right - power (kW) / dimensions (mm)	-	-	-
Combi Zone left - power (kW) / dimensions (mm)	-	3.60	388x180
Combi Zone right - power (kW) / dimensions (mm)	-	-	-
Rear left zone - with Power Boost (max. kW)	3.10	3.10	3.10
Rear right zone - with Power Boost (max. kW)	2.20	2.20	2.20
Rear centre zone - with Power Boost (max. kW)	-	-	-
Front left zone - with Power Boost (max. kW)	3.10	3.10	3.10
Front right zone - with Power Boost (max. kW)	3.70	3.70	3.70

● = Yes - = No

All models comply with COMMISSION REGULATION (EC) No 1275/2008 with regard to ecodesign requirements for standby and off mode electric power consumption.

5 year warranty - Offer dates 01.04.23 - 31.03.24. T&C's apply. Online registration required. Selected models only.

Induction hobs



TYPE	INDUCTION	INDUCTION	INDUCTION
DESIGN FAMILY	SERIES 4	SERIES 4	SERIES 2
MODEL NUMBER	PWP611BB5B	PUE611BB5B	PUG61RAA5B
Width in mm	592	592	592
Control position	Front	Front	Front
Control type	Touch Control	Touch Control	Touch Select basic
Style	Frameless	Frameless	Frameless
KEY FEATURES			
Home Connect	-	-	-
Hob Hood Control	-	-	-
PerfectCook temperature sensor ready	-	-	-
PerfectFry Sensor settings	-	-	-
Extended Flex Induction Zone	-	-	-
Number of Flex Induction Zones	-	-	-
Number of Combi Zones	1	-	-
HOB FEATURES			
Number of individual zones	3	4	4
Cooking Levels	17	17	9
Power Boost	●	●	●
Pan Boost	-	-	-
Move Mode	-	-	-
Energy Consumption Display	-	-	-
Keep Warm Function	-	-	-
Quick Start Function	●	●	●
Automatic setting transfer	-	-	-
Restart Function	-	-	-
Demo Mode	-	-	-
Dish Categories/ Setting Recommendations	-	-	-
Wipe Protection Function	-	-	-
Plug&Play with GB Plug	●	●	●
SAFETY FEATURES			
Residual Heat Indicator	●	●	●
Childproof Lock	●	●	●
Countdown timer	-	-	-
Safety Time Switch off	●	●	●
Pan recognition	●	●	●
Quick Stop	●	●	●
Count up Timer	-	-	-
Main on/off switch	●	●	●
PERFORMANCE / TECHNICAL INFORMATION			
Maximum power output (kW)	3700	3700	3700
Nominal voltage (V)	220-240	220-240	220-240
Electrical cable length (cm)	110	110	110
Rear left Flex Induction zone - power (kW) / dimensions (mm)	-	-	-
Rear left zone - power (kW) / diameter (mm)	1.80	180	1.80
Rear right Flex Induction zone - power (kW) / dimensions (mm)	-	-	-
Rear right zone - power (kW) / diameter (mm)	1.40	145	1.40
Rear centre zone - power (kW) / diameter (mm)	-	-	-
Front centre zone - power (kW) / diameter (mm)	-	-	-
Front left Flex Induction zone - power (kW) / dimensions (mm)	-	-	-
Front left zone - power (kW) / diameter (mm)	1.80	180	1.80
Front right Flex Induction zone - power (kW) / dimensions (mm)	-	-	-
Front right zone - power (kW) / diameter (mm)	2.20	210	1.80
Flex Induction zone left - power (kW) / dimensions (mm)	-	-	-
Flex Induction zone right - power (kW) / dimensions (mm)	-	-	-
Extended Flex Induction rear left - power (kW) / dimensions (mm)	-	-	-
Extended Flex Induction rear right - power (kW) / dimensions (mm)	-	-	-
Combi Zone left - power (kW) / dimensions (mm)	3.00	388x180	-
Combi Zone right - power (kW) / dimensions (mm)	-	-	-
Rear left zone - with Power Boost (max. kW)	3.00	3.00	3.10
Rear right zone - with Power Boost (max. kW)	2.20	2.20	-
Rear centre zone - with Power Boost (max. kW)	-	-	-
Front left zone - with Power Boost (max. kW)	3.00	3.00	-
Front right zone - with Power Boost (max. kW)	3.00	3.00	-

● = Yes - = No

All models comply with COMMISSION REGULATION (EC) No 1275/2008 with regard to ecodesign requirements for standby and off mode electric power consumption.

Explore more at [bosch-home.co.uk](https://www.bosch-home.co.uk) / [bosch-home.ie](https://www.bosch-home.ie)

Ceramic hobs



TYPE	CERAMIC	CERAMIC	CERAMIC
DESIGN FAMILY	SERIES 4	SERIES 4	SERIES 2
MODEL NUMBER	PKN611BA2E	PKE61RAA8B	PKE611CA3E
Width in mm	802mm	592mm	592mm
Control position	Front	Front	Side
Control type	Touch Control	Easy Touch	Control Dials
Style	Frameless	Frameless	Frameless
KEY FEATURES			
Number of individual zones	4	4	4
No. of Dual Zones	1	-	-
No. of Extendable Zones	2	-	-
Power levels	17	9	9
Digital display	●	●	-
Restart Function	●	●	-
SAFETY FEATURES			
Main on/off switch	●	●	-
Two stage residual heat indicators	●	●	-
Childproof lock	●	●	-
Timed safety switch off	●	●	-
PERFORMANCE / TECHNICAL INFORMATION			
Nominal voltage (V)	220-240	220-240	220-240
Maximum power output (W)	7500	6600	6600
Electrical cable length (cm)	110	100	110
GB plug	-	-	-
Rear left zone - power (kW) / diameter (mm)	1.80	170	2
Rear right zone - power (kW) / diameter (mm)	1.20	145	1.20
Rear centre zone - power (kW) / diameter (mm)	-	-	-
Front left zone - power (kW) / diameter (mm)	2	180	1.20
Front right zone - power (kW) / diameter (mm)	0.75	120	2.20
Rear left zone dual - power (kW) / diameter (mm)	2.60	265	-
Rear right zone dual - power (kW) / diameter (mm)	-	-	-
Front left zone dual - power (kW) / diameter (mm)	-	-	-
Front right zone dual - power (kW) / diameter (mm)	2.20	210	-

● = Yes - = No

All models comply with COMMISSION REGULATION (EC) No 1275/2008 with regard to ecodesign requirements for standby and off mode electric power consumption.

Making **life easy** through innovative technologies



TYPE	GAS	GAS	GAS
DESIGN FAMILY	SERIES 6	SERIES 6	SERIES 6
STAINLESS STEEL/STAINLESS STEEL TRIM	-	-	-
BLACK/PREMIUM BLACK	PPS9A6B90	PPQ7A6B90	PPP6A6B90
WHITE/PREMIUM WHITE	-	-	-
Width (mm)	915	752	590
Control position	Front	Front	Front
Installation flush with work top possible	●	●	●
"Diamond" shape burner layout	-	-	-
Hob surface type	Tempered glass	Tempered glass	Tempered glass
KEY FEATURES			
Flame Select power controls	●	●	●
Digital power level display	-	-	-
Number of dual circuit wok style burners	1	1	-
High power (5.0kW+) wok burner	-	-	-
Dual control wok burner	●	●	-
FEATURES			
Number of cooking zones	5	5	4
Individual power levels	9	9	9
Variable power levels	-	-	-
Ignition via control dials	●	●	●
Flame failure safety device	●	●	●
Cast iron pan supports (number)	5	5	4
Cast iron finish pan supports (number)	-	-	-
Enamelled steel pan supports (number)	-	-	-
Two piece burners	●	●	●
PERFORMANCE / TECHNICAL INFORMATION			
Nominal voltage (V)	220-240	220-240	220-240
Maximum gas power output load (W)	11500	11500	7500
Total connected electrical load (W)	1.1	1.1	1.1
Cable length (cm)	150	100	100
GB plug	-	-	-
Left burner power (kW)	4.00	-	-
Front left burner power (kW)	-	1.00	1.75
Back left burner power (kW)	-	1.75	1.75
Centre/Centre front burner power (kW)	1.00	4.00	-
Centre back burner power (kW)	1.75	-	-
Front right burner power (kW)	1.75	1.75	1.00
Back right burner power (kW)	3.00	3.00	3.00
Right burner power (kW)	-	-	-
Pre-set for natural gas	●	●	●
CE Marked	●	●	●
STANDARD ACCESSORY			
LPG jets	28-30/37mbar	28-30/37mbar	28-30/37mbar

● = Yes - = No

TYPE	GAS	GAS	GAS
DESIGN FAMILY	SERIES 6	SERIES 6	SERIES 6
STAINLESS STEEL/STAINLESS STEEL TRIM	PCR9A5B90	PCS7A5B90	PCQ7A5B90
BLACK/PREMIUM BLACK	-	-	-
WHITE/PREMIUM WHITE	-	-	-
Width (mm)	915	750	750
Control dial position	Front	Front	Front
Installation flush with work top possible	-	-	-
"Diamond" shape burner layout	-	-	-
Hob surface type	Metal	Metal	Metal
KEY FEATURES			
Flame Select power controls	●	●	●
Digital power level display	-	-	-
Number of dual circuit wok style burners	1	1	1
High power (5.0kW+) wok burner	●	●	-
Dual control wok burner	●	●	-
FEATURES			
Number of cooking zones	5	5	5
Individual power levels	9	9	9
Variable power levels	-	-	-
Ignition via control dials	●	●	●
Flame failure safety device	●	●	●
Cast iron pan supports (number)	3	3	3
Cast iron finish pan supports (number)	-	-	-
Enamelled steel pan supports (number)	-	-	-
Two piece burners	●	●	●
PERFORMANCE / TECHNICAL INFORMATION			
Nominal voltage (V)	220-240	220-240	220-240
Maximum gas power output load (W)	12500	12500	11500
Total connected electrical load (W)	1.1	1.1	1.1
Cable length (cm)	150	100	100
GB plug	-	-	-
Left burner power (kW)	-	5.00	-
Front left burner power (kW)	1.00	-	1.00
Back left burner power (kW)	1.75	-	1.75
Centre/Centre front burner power (kW)	5.00	1.00	4.00
Centre back burner power (kW)	-	1.75	-
Front right burner power (kW)	1.75	1.75	1.75
Back right burner power (kW)	3.00	3.00	3.00
Right burner power (kW)	-	-	-
Pre-set for natural gas	●	●	●
CE Marked	●	●	●
STANDARD ACCESSORY			
LPG jets	28-30/37mbar	28-30/37mbar	28-30/37mbar

● = Yes - = No



TYPE	GAS	GAS	GAS	GAS
DESIGN FAMILY	SERIES 6	SERIES 6	SERIES 6	SERIES 4
STAINLESS STEEL/STAINLESS STEEL TRIM	PC16A5B90	PCH6A5B90	PCP6A5B90	PGQ7B5B90
BLACK/PREMIUM BLACK	-	-	PCP6A6B90	-
WHITE/PREMIUM WHITE	-	-	-	-
Width (mm)	582	582	582	750
Control dial position	Front	Front	Front	Front
Installation flush with work top possible	-	-	-	-
"Diamond" shape burner layout	●	-	-	-
Hob surface type	Metal	Metal	Metal	Metal
KEY FEATURES				
Flame Select power controls	●	●	●	-
Digital power level display	-	-	-	-
Number of dual circuit wok style burners	1	1	-	1
High power (5.0kW+) wok burner	-	-	-	-
Dual control wok burner	-	-	-	-
FEATURES				
Number of cooking zones	4	4	4	5
Individual power levels	9	9	9	-
Variable power levels	-	-	-	●
Ignition via control dials	●	●	●	●
Flame failure safety device	●	●	●	●
Cast iron pan supports (number)	2	2	2	2
Cast iron finish pan supports (number)	-	-	-	-
Enamelled steel pan supports (number)	-	-	-	-
Two piece burners	●	●	●	●
PERFORMANCE / TECHNICAL INFORMATION				
Nominal voltage (V)	220-240	220-240	220-240	220-240
Maximum gas power output load (W)	9750	8000	7500	10800
Total connected electrical load (W)	1.1	1.1	1.1	1.1
Cable length (cm)	100	100	100	150
GB plug	-	-	-	-
Left burner power (kW)	4.00	-	-	-
Front left burner power (kW)	-	1.75	1.75	1.00
Back left burner power (kW)	-	1.75	1.75	1.75
Centre/Centre front burner power (kW)	1.00	-	-	3.30
Centre back burner power (kW)	1.75	-	-	-
Front right burner power (kW)	-	1.00	1.00	1.75
Back right burner power (kW)	-	3.30	3.00	3.00
Right burner power (kW)	3.00	-	-	-
Pre-set for natural gas	●	●	●	●
CE Marked	●	●	●	●
STANDARD ACCESSORY				
LPG jets	28-30/37mbar	28-30/37mbar	28-30/37mbar	28-30/37mbar

● = Yes - = No



TYPE	GAS	GAS	GAS	GAS
DESIGN FAMILY	SERIES 4	SERIES 4	SERIES 4	SERIES 2
STAINLESS STEEL/STAINLESS STEEL TRIM	PGP6B5B60	-	PGP6B5B90	PBP6B5B60
BLACK/PREMIUM BLACK	-	PNP6B6B90	-	PBP6B6B60
WHITE/PREMIUM WHITE	-	-	-	PBP6B2B60
Width (mm)	582	590	582	580
Control dial position	Front	Front	Front	Right Side
Installation flush with work top possible	-	●	-	-
"Diamond" shape burner layout	-	-	-	-
Hob surface type	Metal	Tempered glass	Metal	Metal
KEY FEATURES				
Flame Select power controls	-	-	-	-
Digital power level display	-	-	-	-
Number of dual circuit wok style burners	-	-	-	-
High power (5.0kW+) wok burner	-	-	-	-
Dual control wok burner	-	-	-	-
FEATURES				
Number of cooking zones	4	4	4	4
Individual power levels	-	-	-	-
Variable power levels	●	●	●	●
Ignition via control dials	●	●	●	●
Flame failure safety device	●	●	●	●
Cast iron pan supports (number)	-	4	2	-
Cast iron finish pan supports (number)	2	-	-	2
Enamelled steel pan supports (number)	-	-	-	-
Two piece burners	●	●	●	●
PERFORMANCE / TECHNICAL INFORMATION				
Nominal voltage (V)	220-240	220-240	220-240	220-240
Maximum gas power output load (W)	7500	7500	7500	7400
Total connected electrical load (W)	1.1	1.1	1.1	1.1
Cable length (cm)	100	100	100	100
GB plug	-	-	-	-
Left burner power (kW)	-	-	-	-
Front left burner power (kW)	1.75	1.75	1.75	3.00
Back left burner power (kW)	1.75	1.75	1.75	1.70
Centre/Centre front burner power (kW)	-	-	-	-
Centre back burner power (kW)	-	-	-	-
Front right burner power (kW)	1.00	1.00	1.00	1.00
Back right burner power (kW)	3.00	3.00	3.00	1.70
Right burner power (kW)	-	-	-	-
Pre-set for natural gas	●	●	●	●
CE Marked	●	●	●	●
STANDARD ACCESSORY				
LPG jets	28-30/37mbar	28-30/37mbar	28-30/37mbar	28-30/37mbar

● = Yes - = No

All models comply with COMMISSION REGULATION (EC) No 1275/2008 with regard to ecodesign requirements for standby and off mode electric power consumption.



TYPE	GAS	GAS
DESIGN FAMILY	SERIES 8	SERIES 8
MODEL NUMBER	PRA3A6B70	PRB3A6B70

Width in mm	306	306
Control position	Front	Front

KEY FEATURES

Flame Select power controls	●	●
Digital power level display	●	●
Number of dual circuit wok style burners	1	2
High power (5.0kW+) wok burner	●	-
Dual control wok burner	●	-
*Diamond shape burner layout	-	-
Hob surface type	Ceramic glass	Ceramic glass

FEATURES

Number of cooking zones	1	2
Individual power levels	9	9
Variable power levels	-	-
Ignition via control dials	●	●
Flame failure safety device	●	●
Cast iron pan supports (number)	1 x Dishwasher safe	1 x Dishwasher safe
Cast iron finish pan supports (number)	-	-
Enamelled steel pan supports (number)	-	-
Low profile single piece burners	●	●
Two piece burners	-	-
Comfort Profile	●	●
Can be combined with other models with Comfort Profile	●	●
Installation flush with work top possible	-	-

PERFORMANCE / TECHNICAL INFORMATION

Nominal voltage (V)	220-240	220-240
Maximum gas power output (W)	6100	4700
Total connected electrical load (W)	1.0	1.0
Cable length (cm)	100	150
GB plug	-	-
Left burner power (kW)	-	-
Front left burner power (kW)	-	-
Back left burner power (kW)	-	-
Centre/Centre front burner power (kW)	6.00	1.90
Centre back burner power (kW)	-	2.80
Front right burner power (kW)	-	-
Back right burner power (kW)	-	-
Right burner power (kW)	-	-
Pre-set for natural gas	●	●
CE Marked	●	●

STANDARD ACCESSORY

LPG jets	28-30/37mbar	28-30/37mbar
----------	--------------	--------------

OPTIONAL ACCESSORY

Connecting Strip to link to other Comfort Profile models	HEZ394301	HEZ394301
--	-----------	-----------

● = Yes - = No

All models comply with COMMISSION REGULATION (EC) No 1275/2008 with regard to ecodesign requirements for standby and off mode electric power consumption.

Explore more at bosch-home.co.uk / bosch-home.ie

TYPE	INDUCTION
DESIGN FAMILY	SERIES 6
MODEL NUMBER	PIB375FB1E

Width in mm	306
Control position	Front
Control type	DirectSelect
Style	Comfort Profile

KEY FEATURES

Number of individual zones	-
Home Connect	-
Hood Control	-
5" Full Touch colour display	-
Dish categories	-
Wireless temperature sensor	-
Wireless Sensor settings	-

HOB FEATURES

Number of individual zones	2
Power Levels	17
Power Boost	●
Pan Boost	-
Move Mode	-
Energy Consumption Display	●
Keep Warm Function	●
Quick Start Function	●
Automatic setting transfer	-
Restart Function	●
Dish categories	-
*Plug&Play with GB Plug	-
Wipe protection function	-

SAFETY FEATURES

Residual Heat Indicator	●
Childproof Lock	●
Switch off timer	●
Safety Time Switch off	●
Count up Timer	●
Pan recognition	●
Main on/off switch	●

PERFORMANCE / TECHNICAL INFORMATION

Nominal voltage (V)	220-240
Maximum power output (W)	3,700
Electrical cable length (cm)	110
Rear left Flex Induction zone - power (kW) / dimensions (mm)	- -
Rear left zone - power (kW) / diameter (mm)	- -
Rear right Flex Induction zone - power (kW) / dimensions (mm)	- -
Rear right zone - power (kW) / diameter (mm)	- -
Rear centre zone - power (kW) / diameter (mm)	2.20 210
Front centre zone - power (kW) / diameter (mm)	1.40 145
Front left Flex Induction zone - power (kW) / dimensions (mm)	- -
Front left zone - power (kW) / diameter (mm)	- -
Front right Flex Induction zone - power (kW) / dimensions (mm)	- -
Front right zone - power (kW) / diameter (mm)	- -
Flex Induction zone left - power (kW) / dimensions (mm)	- -
Flex Induction zone right - power (kW) / dimensions (mm)	- -
Extended Flex Induction rear left - power (kW) / dimensions (mm)	- -
Extended Flex Induction rear right - power (kW) / dimensions (mm)	- -
Combi Zone left - power (kW) / dimensions (mm)	- -
Combi Zone right - power (kW) / dimensions (mm)	- -
Rear left zone - with Power Boost (max. kW)	-
Rear right zone - with Power Boost (max. kW)	-
Rear centre zone - with Power Boost (max. kW)	3.70
Front centre zone - with Power Boost (max. kW)	2.20
Front left zone - with Power Boost (max. kW)	-
Front right zone - with Power Boost (max. kW)	-

TYPE	CERAMIC
DESIGN FAMILY	SERIES 4
MODEL NUMBER	PKF375FP2E

Width in mm	306
Control position	Front
Control type	DirectSelect
Style	Comfort Profile

KEY FEATURES

Number of individual zones	2
No. Of Dual Zones	-
No. Of Extendable Zones	-
Power Boost	●
Pan Boost	-
Power levels	17
Digital display	●
Timer with automatic switch off for each zone	●
Keep warm function	-
Wipe protection function	-

PERFORMANCE / TECHNICAL INFORMATION

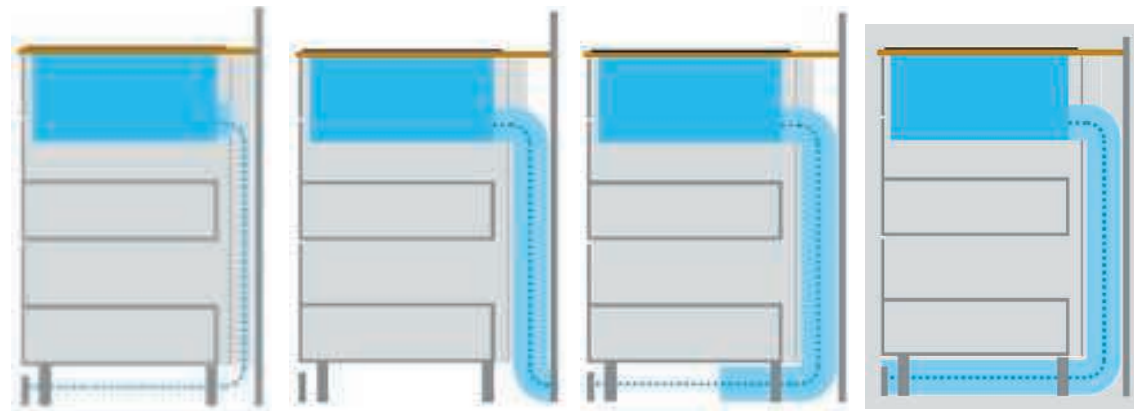
Main on/off switch	●
Two stage residual heat indicators	●
Safety lock	●
Timed safety switch off	●

PERFORMANCE / TECHNICAL INFORMATION

Nominal voltage (V)	220-240
Maximum power output (W)	3500
Electrical cable length (cm)	100
GB plug	-
Rear left zone - power (kW) / diameter (mm)	- -
Rear right zone - power (kW) / diameter (mm)	- -
Rear centre zone - power (kW) / diameter (mm)	1.20 145
Front centre zone - power (kW) / diameter (mm)	2.20 210
Front left zone - power (kW) / diameter (mm)	- -
Front right zone - power (kW) / diameter (mm)	- -
Rear left zone - with Power Boost (max. kW)	-
Rear right zone - with Power Boost (max. kW)	-
Rear centre zone - with Power Boost (max. kW)	-
Front centre zone - with Power Boost (max. kW)	-
Front left zone - with Power Boost (max. kW)	-
Front right zone - with Power Boost (max. kW)	-

One venting hob, four installation possibilities.

Recirculation configuration **Exhaust configuration**



Unducted recirculation HEZ9VRPD1 Diffuser – Additional ducting required	(Fully ducted) exhaust HEZ9VDKE1 Ducted exhaust starter kit – 60cm deep worktops	Partly ducted recirculation HEZ9VDKR0 Recirculation kit 2 Lbow (70cm)	Fully ducted recirculation HEZ9VDKR1 Ducted exhaust starter kit – 60cm deep worktops
--	---	--	---



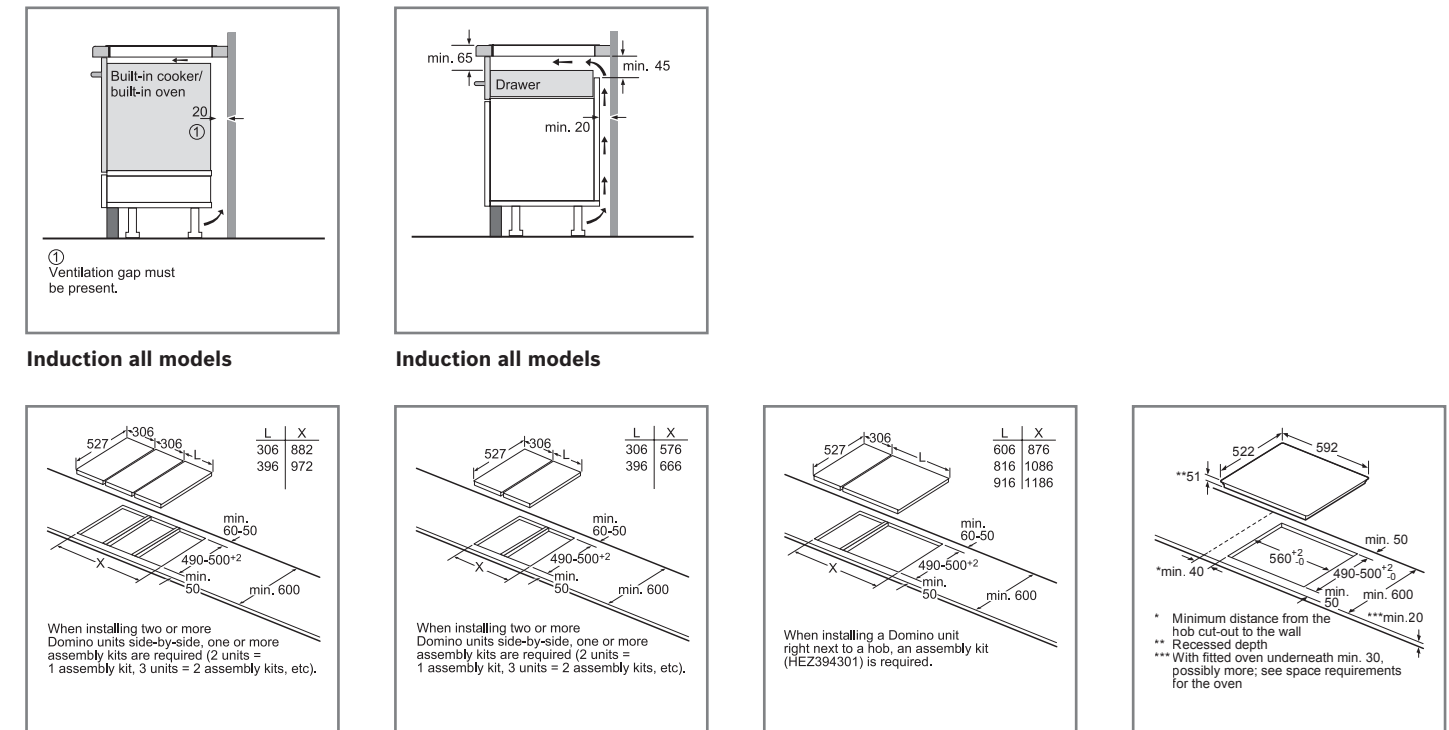
Contains: • 4 x Clean Air Plus recirculating filters (HEZ9VRCR1) • Telescopic slider	Contains: • 1 x Small radius bend (HEZ9VDSB4) • 1 x connector (HEZ9VDSS1) • 1 x 50cm straight channel (HEZ9VDSM1) • 1 x set of 4 acoustic filters	Contains: • 1 x Small radius bend (HEZ9VDSB4) • 1 x Large radius bend (HEZ9VDSB2) • 3 x connectors (HEZ9VDSS1) • 1 x 50cm straight channel (HEZ9VDSM1) • 1 x diffuser (HEZ9VRPD1)	Contains: • 1 x Small radius bend (HEZ9VDSB4) • 1 x Large radius bend (HEZ9VDSB2) • 3 x connectors (HEZ9VDSS1) • 1 x 50cm straight channel (HEZ9VDSM1) • 1 x diffuser HEZ9VRPD1)
---	--	---	--

Ducting component accessories

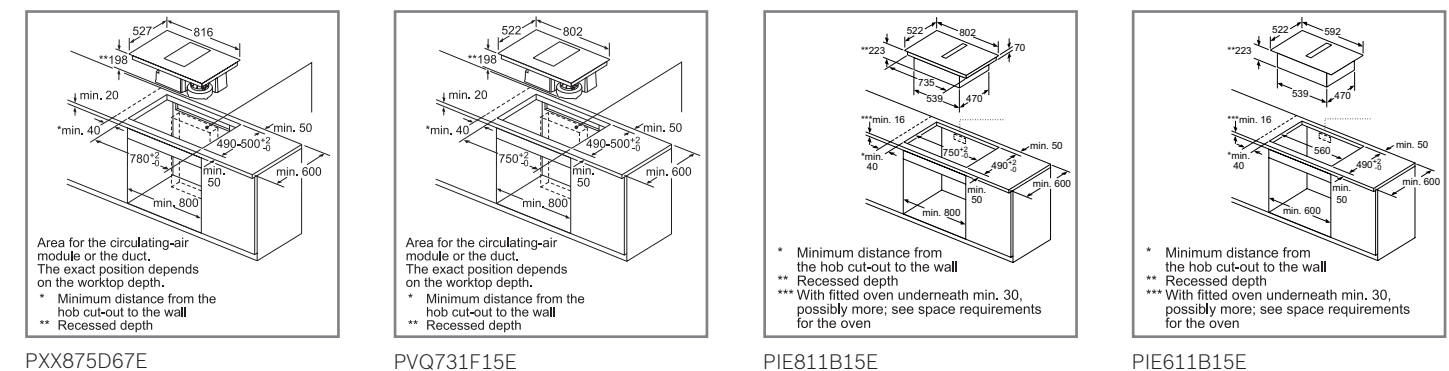
Description	Code
Flat channel ducting component, straight length, 100cm long. Ducting component outlet size: 222mm x 89mm.	HEZ9VDSM2
Flat channel ducting component, straight length, 50cm long. Ducting component outlet size: 222mm x 89mm.	HEZ9VDSM1
Flat channel 90° horizontal bend. Ducting component outlet size: 222mm x 89mm.	HEZ9VDSB1
Flat channel 90° vertical bend (large Radius), suitable for 70cm worktop depths. Ducting component outlet size: 222mm x 89mm.	HEZ9VDSB2
Flat channel 90° vertical bend (medium Radius), suitable for 65cm worktop depths. Ducting component outlet size: 222mm x 89mm.	HEZ9VDSB3
Flat channel 90° vertical bend (short Radius), suitable for 60cm worktop depths. Ducting component outlet size: 222mm x 89mm.	HEZ9VDSB4
Connection piece for use between ducting components and bends. Ducting component size: 223mm x 90mm.	HEZ9VDSS1
Flexible Connection piece for use between ducting components and bends. Ducting component size: 223mm x 90mm.	HEZ9VDSS2
Straight Adaptor / Converter flat to round (Ø 150mm). Ducting component outlet size: 222mm x 89mm.	HEZ9VDSI0
90° Adaptor / Converter flat to round (Ø 150mm). Ducting component outlet size: 222 mm x 89mm.	HEZ9VDSI1
Replacement recirculation filters. Includes 1 x set of Clean Air recirculation filters.	HEZ9VCRO

Electric hobs technical diagrams

All models



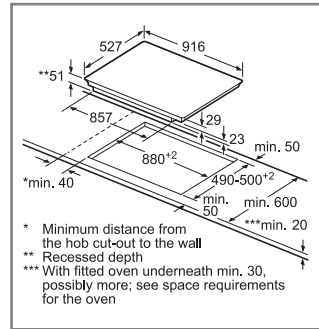
Venting Hobs



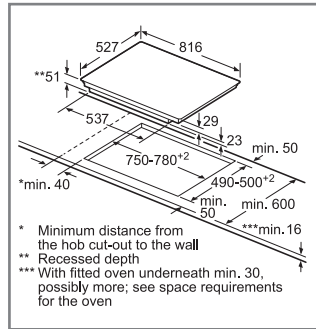
All diagram measurements are in millimetres (mm)
We try to keep up to date with constant technological improvements, so from time to time we may update installation guidelines. Therefore we strongly recommend that you download the latest installation guidelines from www.bosch-home.co.uk. Line drawings are for guidance only, and we recommend that you refer to the latest installation guidelines. Though every care is taken to ensure instructions are correct at the time of printing, Bosch cannot accept responsibility for incorrect planning or installation as a result of the use of these line drawings.

Electric hobs technical diagrams

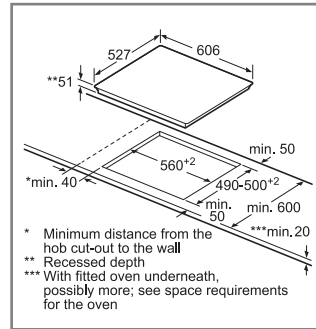
FlexInduction hobs



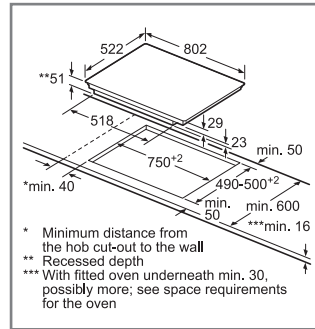
PXX975KW1E



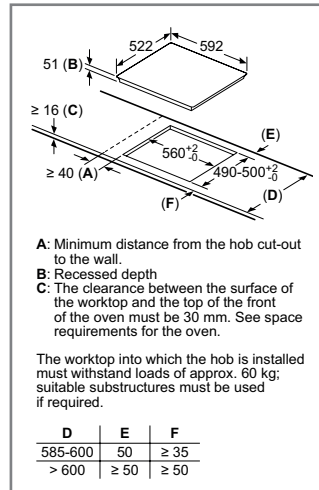
PXY875KW1E, PXV875DV1E



PXX675DV1E

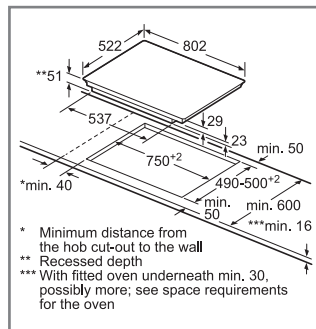


PXV851FC1E

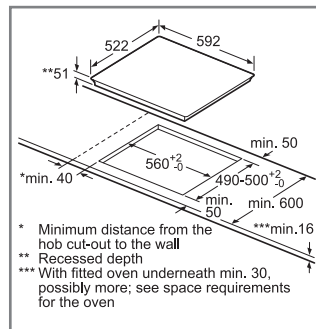


PXE651FC1E

Induction hobs

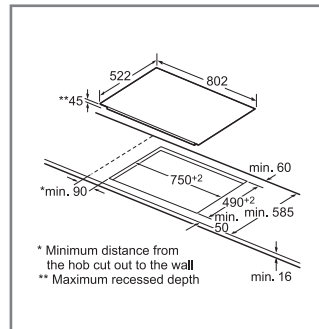


PVW851FB5E, PIV851FB1E

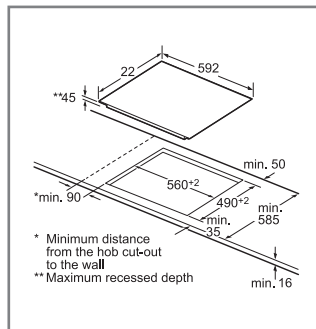


PVQ651FC5E, PIE631BB5E, PWP611BB5E, PUE611BB5E, PWP611BB5B, PUE611BB5B, PUG61RAA5B

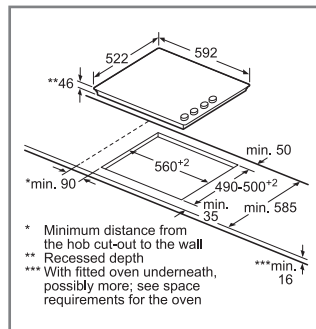
Quick-Therm Ceramic hobs



PKN811BA2E



PKE61RAA8B



PKE611CA3E

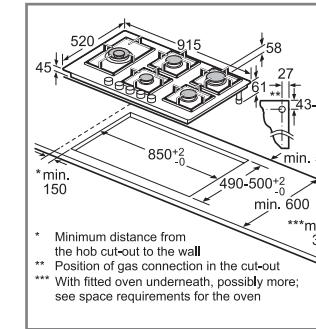
All diagram measurements are in millimetres (mm)

We try to keep up to date with constant technological improvements, so from time to time we may update installation guidelines. Therefore we strongly recommend that you download the latest installation guidelines from www.bosch-home.co.uk. Line drawings are for guidance only, and we recommend that you refer to the latest installation guidelines. Though every care is taken to ensure instructions are correct at the time of printing, Bosch cannot accept responsibility for incorrect planning or installation as a result of the use of these line drawings.

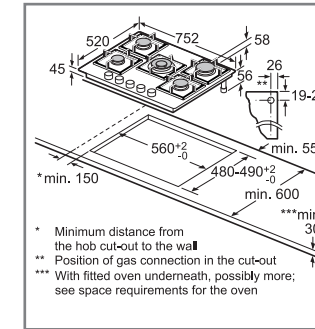
Explore more at bosch-home.co.uk / bosch-home.ie

Gas hobs technical diagrams

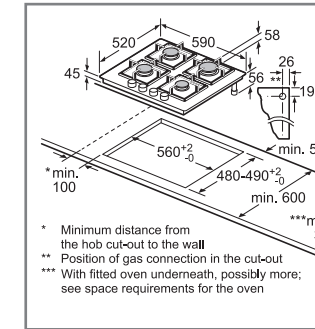
Gas hobs



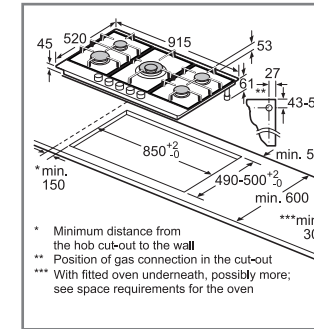
PPS9A6B90



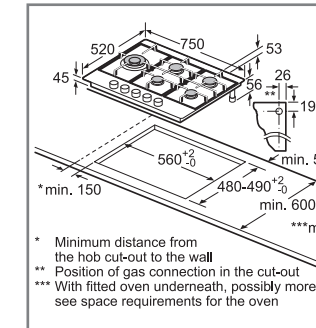
PPQ7A6B90



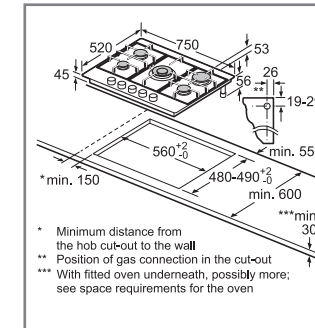
PPP6A6B90



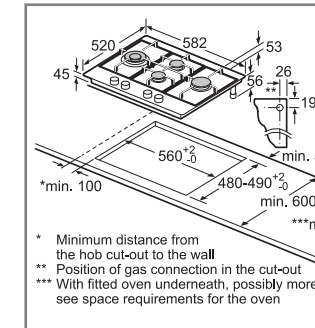
PCR9A5B90



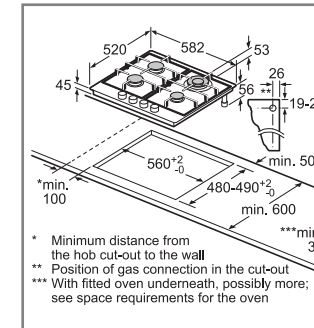
PCS7A5B90



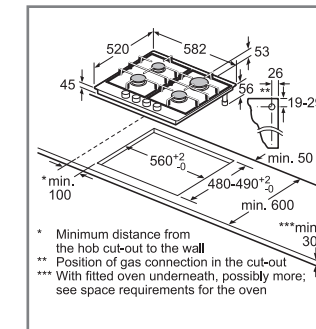
PCQ7A5B90, PGQ7B5B90



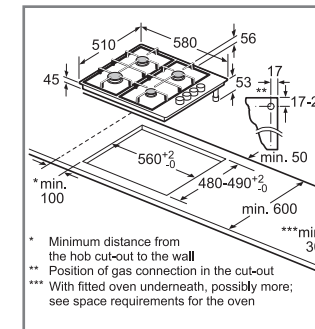
PCI6A5B90



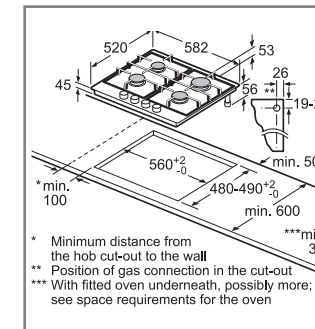
PCH6A5B90



PCP6A5B90, PCP6A6B90



PBP6B5B60, PBP6B6B60



PGP6B5B60, PGP6B5B90, PBP6B2B60, PNP6B6B90

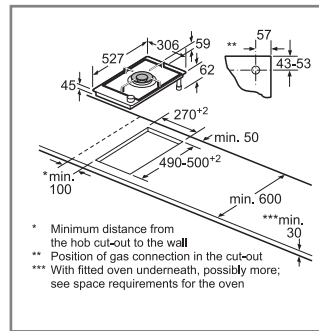
All diagram measurements are in millimetres (mm)

We try to keep up to date with constant technological improvements, so from time to time we may update installation guidelines. Therefore we strongly recommend that you download the latest installation guidelines from www.bosch-home.co.uk. Line drawings are for guidance only, and we recommend that you refer to the latest installation guidelines. Though every care is taken to ensure instructions are correct at the time of printing, Bosch cannot accept responsibility for incorrect planning or installation as a result of the use of these line drawings.

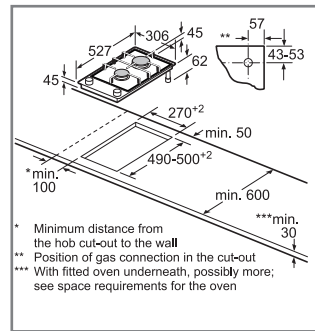
Making **life easy** through innovative technologies

Domino technical diagrams

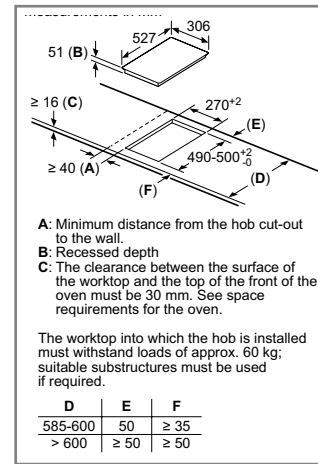
Domino hobs



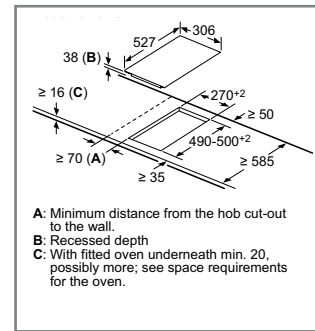
PRA3A6B70



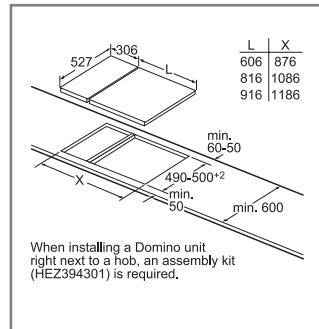
PRB3A6B70



PIB375FB1E



PKF375FP2E



FlexInduction and Induction hob accessories

DESCRIPTION	ACCESSORY NR	PXX875D67E	PVQ731F15E	PIE811B15E	PIE611B15E	PXX975KW1E	PXY875KW1E	PXV875DV1E	PXX675DV1E	PXV851FC1E	PXE651FC1E	PWV851FB5E
Wireless temperature sensor	HEZ39050	•				•	•					
Teppan Yaki (approx. 400x200mm)	HEZ390512	•				•	•	•	•	•	•	
Griddle plate (approx. 400x200mm)	HEZ390522	•				•	•	•	•	•	•	
Rectangular roasting pan with lid (approx. 320x200mm)	HEZ390011	•	•			•	•	•	•	•	•	
Steamer pan insert of use with HEZ390011 roasting pan	HEZ390012	•	•			•	•	•	•	•	•	
BergHoff three piece pan set (1 x frying pan, 2 x pot)	HEZ95E030	•	•	•	•	•	•	•	•	•	•	•

DESCRIPTION	ACCESSORY NR	PIV851FB1E	PVQ651FC5E	PIE651BB1E	PWP631BB1E	PUE611BB1E	PWP631BF1B	PUE611BF1B	PUG61RAA5B	PIB375FB1E
Four piece pan set (1 x sauté pan, 2 x pots with lids and 1 x milk pan)	HEZ95E040	•	•	•	•	•	•	•	•	•

Domino combination possibilities with corresponding device and cutout dimensions

Width type: 30 40 60 70 80 90
 Device width: 306 396 606 710 816 916

	A	B	C	D	L	X	
2x30,	306	306	-	-	612	576	
1x30, 1x40	306	396	-	-	702	666	
1x30, 1x60	306	606	-	-	912	876	
1x30, 1x70	306	710	-	-	1016	980	
1x30, 1x80	306	816	-	-	1122	1086	
1x30, 1x90	306	916	-	-	1222	1186	
2x40	396	396	-	-	792	756	
1x40, 1x60	396	606	-	-	1002	966	
1x40, 1x70	396	710	-	-	1106	1070	
1x40, 1x80	396	816	-	-	1212	1176	
1x40, 1x90	396	916	-	-	1312	1276	
3x30	306	306	306	-	918	882	
2x30, 1x40	306	306	396	-	1008	972	
2x30, 1x60	306	306	606	-	1218	1182	
2x30, 1x70	306	306	710	-	1322	1286	
2x30, 1x80	306	306	816	-	1428	1392	
2x30, 1x90	306	306	916	-	1528	1492	
1x30, 2x40	306	396	396	-	1098	1062	
1x30, 1x40, 1x60	306	396	606	-	1308	1272	
1x30, 1x40, 1x70	306	396	710	-	1412	1376	
1x30, 1x40, 1x80	306	396	816	-	1518	1482	
1x30, 1x40, 1x90	306	396	916	-	1618	1582	
2x40, 1x60	396	396	606	-	1398	1362	
4x30	306	306	306	306	1224	1188	
3x30, 1x40	306	306	306	396	1314	1278	

All diagram measurements are in millimetres (mm)

We try to keep up to date with constant technological improvements, so from time to time we may update installation guidelines. Therefore we strongly recommend that you download the latest installation guidelines from www.bosch-home.co.uk. Line drawings are for guidance only, and we recommend that you refer to the latest installation guidelines. Though every care is taken to ensure instructions are correct at the time of printing, Bosch cannot accept responsibility for incorrect planning or installation as a result of the use of these line drawings.

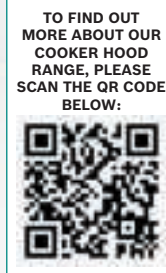
Domino hob accessories

DESCRIPTION	ACCESSORY NR	PRA3A6B70	PRB3A6B70	PKF375FP1E	PIB375FB1E
Connecting strip for all domino hobs	HEZ394301				



Offering a blend of function and form, Bosch hoods deliver quiet, effective extraction that makes the kitchen and home a more pleasant environment. Make a bold design statement or complement a more minimalist look.

To help you choose the right hood, we have divided them into four ranges.



Series 8

With our **Series 8** range of hoods, experience automatic extraction rate control with **PerfectAir** sensor technology. Our hoods offer high quality craftsmanship combined with cutting-edge technologies to make the kitchen a more pleasant environment.

Series 6

Ultimate convenience and tasteful design make cooker hoods within our **Series 6** range an asset to any stylish kitchen. Electronic controls give you ease of use. Experience maximum operating convenience with **DirectSelect** touch controls from Bosch.

Series 4

As the centre of family life, the kitchen needs to have a comfortable atmosphere free of cooking steam and disruptive noise. Our **Series 4** range of cooker hoods are extremely quiet, easy to operate and impressive with their modern design.

Series 2

With our **Series 2** range of hoods, you can be assured of high quality design and features that make your life easier in the kitchen, such as easy-to-use controls and dishwasher proof metal grease filters for greater convenience.

Hood functions explained.

Check model for available functions.



PerfectAir
A sensor constantly detects the levels of odours in the air and adjusts the power level – from light use to intensive – to ensure your kitchen air is always clean and fresh.



Hob Hood Control
Control your hood via your hob with Hob-Hood Control on selected Bosch hoods. The hob and hood connect directly with WiFi and as soon as your hob is turned on, your hood lights will come on and it will start extracting. Pair this feature with the **PerfectAir Sensor** in automatic mode to create a fully automated ventilation solution.



Clean Air Plus Filters
Our Eco Silence Drive brushless friction-free motor is durable and designed to last longer. The motor helps to keep sound levels low while delivering highly efficient and powerful performance*, ultimately saving you energy.
*Sound power measured according to EN60704-3 on largest pipe diameter.



Eco Silence Drive
Our Eco Silence Drive brushless friction-free motor is durable and designed to last longer. The motor is highly efficient and offers exceptional performance while saving you energy.

LED lights

Our energy efficient lighting can be adjusted for bright illumination to work under, or lower illumination for ambient mood lighting in the kitchen thanks to the dimmer function.



Touch Control
Set the exact power level with a single touch thanks to Touch Control. It's easy to operate: simply select the right power level or turn on the lights and away you go.



Silence
Your guests are not alone in appreciating a relaxed cook. So you can chat with your guests while cooking.



Easy mounting
Easy to install appliances give you another reason to choose a Bosch Hood.

Filter Saturation Indicators

Out of sight, out of mind: when it comes to the filters in our hoods we often forget to check if they need to be changed. With Home Connect you can now check the state of your hood's filters, and receive valuable maintenance information. Simply log onto the app* to check the carbon and grease saturation of your filters and whether a replacement is necessary.

*Selected models only

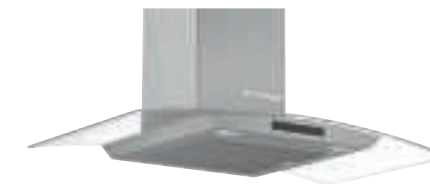
A hood for every kitchen

Wall-mounted

Wall-mounted cooker hoods are generally mounted above the hob, on the wall between the wall units. This type of cooker hood fits beautifully into the line of your kitchen units whilst providing effective ventilation that you'll barely see – but you'll notice the amazing effect. These feature the Bosch clip which can be matched with other Bosch appliances in your kitchen.



Box Chimney
Chimney hoods in a box design perfectly complement your hob installation.



Glass Chimney
Curved and flat chimney hoods are great for a traditional and stylish kitchen.



Pyramid Chimney
Pyramid hoods impress with classic lines and the refined contours of the contemporary Slim Pyramid designs.



Flat Slimline
This slim design is perfect for keeping an eye on your pots and pans with a stylish control wheel that matches with Bosch Series 8 ovens.



Angled Glass
The angled design doesn't restrict headroom so you can keep an eye on your cooking with ease.



Integrated Design Hood
A flush integrated design with fold out glass panel, make these hoods the storage champion. Allowing 10kg storage each side of the chimney on the hood, discreetly hidden in kitchen furniture.

Ceiling



Island Chimney
Our Island cooker hoods have been specially developed for use over your kitchen island and are freely suspended from the ceiling above it.



Plug&Play
Plug&Play ceiling hoods are an easy installation option. Fixing to an existing ceiling and recirculating the air back into the room, saves the need to build a false ceiling.



Ceiling
A flush fit ceiling cooker hood is normally installed into a false ceiling. It not only ensures clean air, it also provides excellent lighting for your hob and creates more space in island kitchen cabinets.

Integrated



Canopy
Bosch canopy cooker hoods are powerful ventilation systems that can be integrated into the cabinets above your hob. The hood provides excellent extraction of steam and cooking smells, as well as providing additional lighting for your cooking surfaces.



Telescopic
Telescopic cooker hoods are installed into a wall unit. To operate them, the flat section is pulled out, enlarging the extraction surface. Selected models have easy installation systems and accessories are available, as well as a lowering frame to make the hood invisible when not in use.

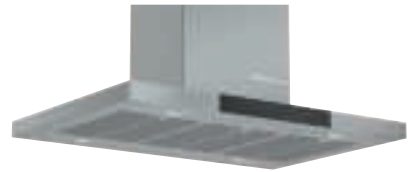


Integrated
Integrated cooker hoods have a furniture panel mounted to them installing seamlessly into the kitchen. For use this front panel is pulled forward at an angle, only then making the hood visible.



Built Under
Great performance in a tiny space. Our built-under extractors are housed underneath the kitchen unit and can always be seen.

Ceiling hoods



Island chimneys



Integrated design hoods



HOOD TYPE	CEILING
DESIGN FAMILY	SERIES 6
MODEL	DRC97AQ50B
Colour	Stainless Steel
KEY FEATURES	
PerfectAir Sensor	-
Home Connect	●
Hob Hood Control	●
EcoSilence Drive Motor	●
Intensive setting / Automatic intensive revert ¹	●
Filter saturation indicators	●
ADDITIONAL PROGRAMMES / FUNCTIONS	
Type of control	Remote control
Power levels	3 + 2 intensive
Electronic power level display	-
Lighting	4 x LED lights
Softlight with dimmer function	●
Number of metal grease filter cassettes	2
Suitable for ducted operation / recirculating	●
PERFORMANCE / TECHNICAL INFORMATION	
Appliance width (mm)	900
EXTRACTION RATE IN M³/H ^(2,3)	
- Ducted / recirculating at power level 1	265 / 200
- Ducted / recirculating at power level 2	335 / 316
- Ducted / recirculating at power level 3	458 / 422
- Ducted / recirculating at power level 4 or intensive level 1	594 / 513
- Ducted / recirculating, intensive setting or intensive level 2	798 / 565
NOISE LEVEL (SOUND POWER) BASED ON DB(A) RE 1 PW ^(2,4)	
- Ducted / recirculating at power level 1	41 / 46
- Ducted / recirculating at power level 2	47 / 57
- Ducted / recirculating at power level 3	56 / 63
- Ducted / recirculating at power level 4 or intensive level 1	62 / 67
- Ducted / recirculating, intensive setting or intensive level 2	68 / 69
Pipe outlet diameter (mm)	150
Min. distance above an electric hob / gas hob ⁵ (mm)	650 / 650
GB plug	●
Energy Rating	A
OPTIONAL ACCESSORIES ⁶	
CleanAir Plus Recirculating Module (Stainless Steel)	DIZ1JC506
CleanAir Plus Recirculating Module (White)	DIZ1JC206
Long Life Regenerative Recirculation Module (Stainless Steel)	DIZQJ5D0
Long Life Regenerative Recirculation Module (White)	DIZQJ2D0

¹Power automatically reverts back to normal setting after intensive.

²Air flow and noise declarations made in line with CECEC Code of Conduct.

³Measured according to EN61591 on largest pipe diameter.

⁴Sound power measured according to EN60704-3 on largest pipe diameter.

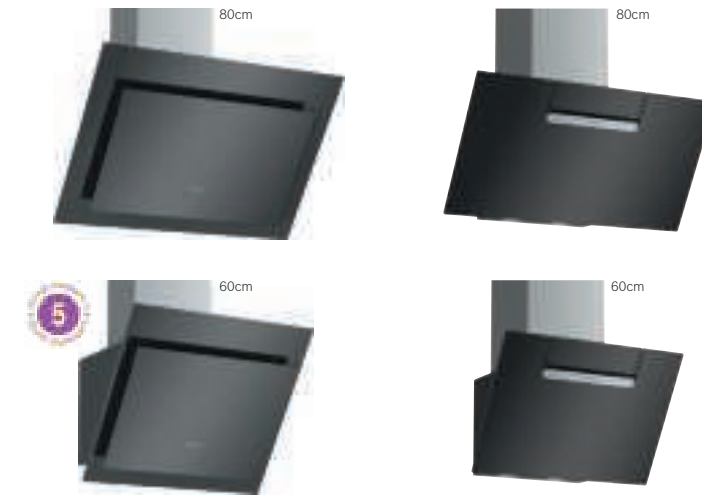
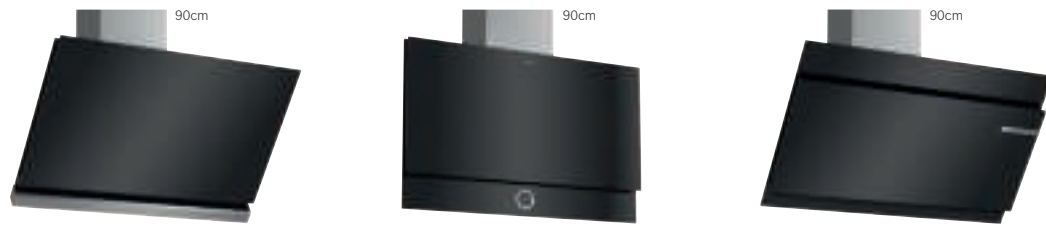
⁵From top of pan supports.

⁶A type of recirculating kit is required if recirculating. Depending on the model, a 'Recirculating odour filter kit' will consist of the following items: Charcoal filter, flexible hose, air duct, fixing components, installation instructions.

HOOD TYPE	ISLAND	ISLAND
DESIGN FAMILY	SERIES 6	SERIES 4
MODEL	DIB98JQ50B	DIG97IM50B
Colour	Stainless Steel	Stainless Steel & Glass
KEY FEATURES		
PerfectAir Sensor	●	-
Home Connect	-	-
Hob Hood Control	-	-
EcoSilence Drive Motor	●	-
Intensive setting / Automatic intensive revert ¹	●	●
Filter saturation indicators	-	-
ADDITIONAL PROGRAMMES / FUNCTIONS		
Type of control	Touch control	Touch control
Power levels	3 + 2 intensive	3 + 1 intensive
Electronic power level display	●	●
Lighting	4 x LED lights	4 x LED lights
Softlight with dimmer function	●	-
Number of metal grease filter cassettes	3	2
Suitable for ducted operation / recirculating	●	●
PERFORMANCE / TECHNICAL INFORMATION		
Appliance width (mm)	900	900
EXTRACTION RATE IN M³/H ^(2,3)		
- Ducted / recirculating at power level 1	281 / 200	243 / 223
- Ducted / recirculating at power level 2	362 / 317	328 / 307
- Ducted / recirculating at power level 3	445 / 371	429 / 403
- Ducted / recirculating at power level 4 or intensive level 1	657 / 477	-
- Ducted / recirculating, intensive setting or intensive level 2	867 / 513	733 / 546
NOISE LEVEL (SOUND POWER) BASED ON DB(A) RE 1 PW ^(2,4)		
- Ducted / recirculating at power level 1	54 / 59	55 / 62
- Ducted / recirculating at power level 2	64 / 68	63 / 69
- Ducted / recirculating at power level 3	54 / 67	68 / 68
- Ducted / recirculating at power level 4 or intensive level 1	63 / 73	-
- Ducted / recirculating, intensive setting or intensive level 2	69 / 74	71 / 75
Pipe outlet diameter (mm)	150 / 120	150 / 120
Min. distance above an electric hob / gas hob ⁵ (mm)	550 / 650	550 / 650
GB plug	●	●
Energy Rating	A+	B
OPTIONAL ACCESSORIES ⁶		
Standard Recirculation Kit	DIZ2CB114	DIZ1CG114
CleanAir Plus External Recirculation Module (Stainless Steel)	-	DIZ1CX506

HOOD TYPE	INTEGRATED
DESIGN FAMILY	SERIES 6
MODEL / WIDTH	DBB97AM60B/90CM DBB67AM60B/60CM
Colour	Black body with Bosch Clip design fold out glass
KEY FEATURES	
PerfectAir Sensor	-
Home Connect	-
Hob Hood Control	-
EcoSilence Drive Motor	-
Intensive setting / Automatic intensive revert ¹	●
Filter saturation indicators	-
ADDITIONAL PROGRAMMES / FUNCTIONS	
Type of control	Touch Control
Power levels	3 + 1 intensive
Electronic power level display	●
Lighting	2 x LED lights
Softlight with dimmer function	●
Number of metal grease filter cassettes	2
Furniture door required	●
Suitable for ducted operation / recirculating	●
PERFORMANCE / TECHNICAL INFORMATION	
Appliance width (mm)	897 / 597
EXTRACTION RATE IN M³/H ^(2,3)	
- Ducted / recirculating at power level 1	265 / 227
- Ducted / recirculating at power level 2	355 / 319
- Ducted / recirculating at power level 3	460 / 396
- Ducted / recirculating at power level 4 or intensive level 1	749 / 496
- Ducted / recirculating, intensive setting or intensive level 2	-
NOISE LEVEL (SOUND POWER) BASED ON DB(A) RE 1 PW ^(2,4)	
- Ducted / recirculating at power level 1	50 / 59
- Ducted / recirculating at power level 2	57 / 67
- Ducted / recirculating at power level 3	63 / 72
- Ducted / recirculating at power level 4 or intensive level 1	73 / 77
- Ducted / recirculating, intensive setting or intensive level 2	71 / 77
Pipe outlet diameter (mm)	120 / 150
Min. distance above an electric hob / gas hob ⁵ (mm)	430 / 650
GB plug	●
Energy Rating	A
OPTIONAL ACCESSORIES ⁶	
Long Life Regenerative Recirculation Kit	DWZ1IT1D1
Clean Air Standard Recirculation Kit	DWZ6IB114
Chimney Extension 450-854mm	DWZ1IB6K1
Chimney Extension 187-360mm	DWZ1IB6N1
Clean Air Plus recirculation kit	DWZ1IX1C6

All models comply with COMMISSION REGULATION (EC) No 1275/2008 with regard to ecodesign requirements for standby and off mode electric power consumption.



HOOD TYPE	ANGLED	FLAT GLASS	ANGLED
DESIGN FAMILY	SERIES 8	SERIES 8	SERIES 6
MODEL	DWK98PR60B	DWF97RV60B	DWK97JQ60B/90CM
Colour	Black Glass	Black Glass	Black Glass
KEY FEATURES			
PerfectAir Sensor	•	•	•
Home Connect	•	•	-
Hob Hood Control	•	•	-
EcoSilence Drive Motor	•	•	•
Intensive setting / Automatic intensive revert ¹	•	•	•
Filter saturation indicators	•	•	•
ADDITIONAL PROGRAMMES / FUNCTIONS			
Type of control	Touch control	Ring control	Touch Control
Power levels	3 + 2 intensive	3 + 2 intensive	3 + 2 intensive
Electronic power level display	-	•	-
Lighting	2 x LED lights	2 x LED lights	2 x LED lights
Softlight with dimmer function	•	•	•
Number of metal grease filter cassettes	2	2	2
Suitable for ducted operation / recirculating	•	•	•
PERFORMANCE / TECHNICAL INFORMATION			
Appliance width (mm)	894	890	890
EXTRACTION RATE IN M³/H^(2,3)			
- Ducted / recirculating at power level 1	293 / 221	227 / 157	305 / 221
- Ducted / recirculating at power level 2	342 / 333	320 / 245	342 / 321
- Ducted / recirculating at power level 3	467 / 459	394 / 311	431 / 410
- Ducted / recirculating at power level 4 or intensive level 1	612 / 579	532 / 444	525 / 500
- Ducted / recirculating, intensive setting or intensive level 2	837 / 703	717 / 578	714 / 632
NOISE LEVEL (SOUND POWER) BASED ON DB(A) RE 1 PW^(2,4)			
- Ducted / recirculating at power level 1	43 / 47	43 / 43	45 / 48
- Ducted / recirculating at power level 2	47 / 58	52 / 54	48 / 58
- Ducted / recirculating at power level 3	55 / 65	57 / 60	53 / 63
- Ducted / recirculating at power level 4 or intensive level 1	61 / 68	64 / 68	58 / 68
- Ducted / recirculating, intensive setting or intensive level 2	67 / 77	70 / 74	65 / 74
Pipe outlet diameter (mm)	150 / 120	150 / 120	150 / 120
Min. distance above an electric hob / gas hob ⁵ (mm)	450 / 650	450 / not suitable	450 / 650
GB plug	•	•	•
Energy Rating	A+	B	A
OPTIONAL ACCESSORIES⁶			
Standard Recirculation Kit	-	-	-
Standard Recirculation Kit (Chimless Installation)	-	-	-
CleanAir Plus Anti-Pollen Recirculation Kit	DWZ1AK116	DWZ1AF116	DWZ1AK116
CleanAir Plus Anti-Pollen Recirculation Kit (Chimless Installation)	DWZ1AK1V6	DWZ1AF1V6	DWZ1AK1V6
Long Life Regenerative Recirculation Kit	DWZ0AK0S0	DWZ0AF0S0	DWZ0AK0S0
Long Life Regenerative Integrated Recirculation Kit	-	-	-
Long Life Regenerative Recirculation Kit (Chimless Installation)	DWZ0AK0R0	DWZ0AF0R0	DWZ0AK0R0
Black Chimney	DWZ1AX6E1	DWZ1AX6E1	DWZ1AX6E1

¹Power automatically reverts back to normal setting after intensive.

²Air Flow and noise declarations made in line with CECEC Code of Conduct.

³Measured according to EN61591 on largest pipe diameter.

⁴Sound power measured according to EN60704-3 on largest pipe diameter.

⁵From top of pan supports.

⁶A type of recirculating kit is required if recirculating. Depending on the model, a 'Recirculating odour filter kit' will consist of the following items: Charcoal filter, flexible hose, air duct, fixing components, installation instructions.

HOOD TYPE	ANGLED	ANGLED
DESIGN FAMILY	SERIES 4	SERIES 2
MODEL/WIDTH	DWK87CM60B/80CM DWK67CM60B/60CM*	DWK87EM60B/80CM DWK67EM60B/60CM
Colour	Black Glass	Black Glass
KEY FEATURES		
PerfectAir Sensor	-	-
Home Connect	-	-
Hob Hood Control	-	-
EcoSilence Drive Motor	-	-
Intensive setting / Automatic intensive revert ¹	•	•
Filter saturation indicators	-	-
ADDITIONAL PROGRAMMES / FUNCTIONS		
Type of control	Touch Control	Touch control
Power levels	3 + 1 intensive	3 + 1 intensive
Electronic power level display	•	•
Lighting	2 x LED lights	2 x LED lights
Softlight with dimmer function	-	-
Number of metal grease filter cassettes	2	2
Suitable for ducted operation / recirculating	•	•
PERFORMANCE / TECHNICAL INFORMATION		
Appliance width (mm)	790	590
	800	600
EXTRACTION RATE IN M³/H^(2,3)		
- Ducted / recirculating at power level 1	253 / 239	245 / 189
- Ducted / recirculating at power level 2	332 / 316	320 / 260
- Ducted / recirculating at power level 3	416 / 409	399 / 320
- Ducted / recirculating at power level 4 or intensive level 1	-	-
- Ducted / recirculating, intensive setting or intensive level 2	700 / 615	669 / 398
NOISE LEVEL (SOUND POWER) BASED ON DB(A) RE 1 PW^(2,4)		
- Ducted / recirculating at power level 1	48 / 53	48 / 58
- Ducted / recirculating at power level 2	53 / 60	55 / 65
- Ducted / recirculating at power level 3	58 / 65	60 / 69
- Ducted / recirculating at power level 4 or intensive level 1	-	-
- Ducted / recirculating, intensive setting or intensive level 2	67 / 75	69 / 74
Pipe outlet diameter (mm)	150/120	150 / 120
Min. distance above an electric hob / gas hob ⁵ (mm)	450 / 650	450 / 650
GB plug	•	•
Energy Rating	B	B
OPTIONAL ACCESSORIES⁶		
Standard Recirculation Kit	-	DWZ1EK1U1
Standard Recirculation Kit (Chimless Installation)	-	-
CleanAir Plus Anti-Pollen Recirculation Kit	DWZ1AK116	-
CleanAir Plus Anti-Pollen Recirculation Kit (Chimless Installation)	DWZ1AK1V6	-
Long Life Regenerative Recirculation Kit	DWZ0AK0S0	DWZ1FX5D1
Long Life Regenerative Integrated Recirculation Kit	-	DWZ0XX0J0
Long Life Regenerative Recirculation Kit (Chimless Installation)	DWZ0AK0R0	-
Black Chimney	DWZ1AX6E1	-

¹Power automatically reverts back to normal setting after intensive.

²Air Flow and noise declarations made in line with CECEC Code of Conduct.

³Measured according to EN61591 on largest pipe diameter.

⁴Sound power measured according to EN60704-3 on largest pipe diameter.

⁵From top of pan supports.

⁶A type of recirculating kit is required if recirculating. Depending on the model, a 'Recirculating odour filter kit' will consist of the following items: Charcoal filter, flexible hose, air duct, fixing components, installation instructions.

5 Year Warranty offer dates 01.04.23 – 31.03.24. T&C's apply. Online registration required. Selected models only.

All models comply with COMMISSION REGULATION (EC) No 1275/2008 with regard to ecodesign requirements for standby and off mode electric power consumption.



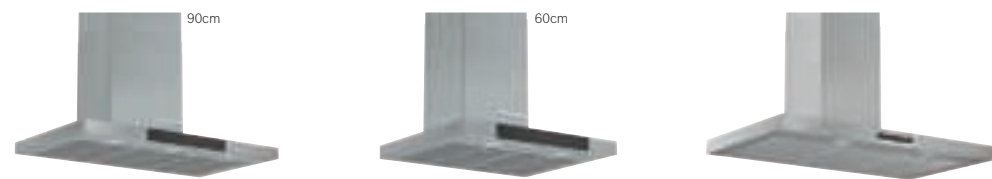
HOOD TYPE	CURVED GLASS CHIMNEY		CURVED GLASS CHIMNEY	
DESIGN FAMILY	SERIES 4		SERIES 2	
MODEL/WIDTH	DWA96DM50B/90CM DWA66DM50B/60CM		DWA94BC50B/90CM DWA64BC50B/60CM	
Colour	Stainless Steel & Glass		Stainless Steel & Glass	
KEY FEATURES				
PerfectAir Sensor	-		-	
Home Connect	-		-	
Hob Hood Control	-		-	
EcoSilence Drive Motor	-		-	
Intensive setting / Automatic intensive revert ¹	●		-	
Filter saturation indicators	-		-	
ADDITIONAL PROGRAMMES / FUNCTIONS				
Type of control	Touch control		Push button control	
Power levels	3 + 1 intensive		3	
Electronic power level display	●		-	
Lighting	2 x LED lights		2 x LED lights	
Softlight with dimmer function	-		-	
Number of metal grease filter cassettes	1		1	
Suitable for ducted operation / recirculating	●		●	
PERFORMANCE / TECHNICAL INFORMATION				
Appliance width (mm)	900	600	900	600
EXTRACTION RATE IN M³/H^(2,3)				
- Ducted / recirculating at power level 1	234 / 164	239 / 173	198 / 125	198 / 117
- Ducted / recirculating at power level 2	303 / 236	306 / 250	263 / 166	263 / 163
- Ducted / recirculating at power level 3	371 / 292	400 / 303	365 / 198	365 / 200
- Ducted / recirculating at power level 4 or intensive level 1	-	-	-	-
- Ducted / recirculating, intensive setting or intensive level 2	610 / 355	615 / 361	-	-
NOISE LEVEL (SOUND POWER) BASED ON DB(A) RE 1 PW^(2,4)				
- Ducted / recirculating at power level 1	48 / 60	48 / 59	50 / 57	49 / 55
- Ducted / recirculating at power level 2	55 / 68	54 / 67	58 / 62	57 / 61
- Ducted / recirculating at power level 3	61 / 72	59 / 71	64 / 66	64 / 66
- Ducted / recirculating at power level 4 or intensive level 1	-	-	-	-
- Ducted / recirculating, intensive setting or intensive level 2	69 / 75	69 / 75	-	-
Pipe outlet diameter (mm)	150 / 120	150 / 120	150 / 120	150 / 120
Min. distance above an electric hob / gas hob ⁵ (mm)	550 / 650	550 / 650	550 / 650	550 / 650
GB plug	●		●	
Energy Rating	B	B	D	D
OPTIONAL ACCESSORIES⁶				
CleanAir Standard Recirculation Kit	DWZ1DX114	DWZ1DX114	DWZ1DX114	DWZ1DX114
CleanAir Plus Integrated Recirculation Kit	DWZ1DX116	DWZ1DX116	DWZ1DX116	DWZ1DX116

¹ Power automatically reverts back to normal setting after intensive.
² Air Flow and noise declarations made in line with CECEC Code of Conduct.
³ Measured according to EN61591 on largest pipe diameter.
⁴ Sound power measured according to EN60704-3 on largest pipe diameter.
⁵ From top of pan supports.
⁶ A type of recirculating kit is required if recirculating. Depending on the model, a 'Recirculating odour filter kit' will consist of the following items: Charcoal filter, flexible hose, air duct, fixing components, installation instructions.

HOOD TYPE	STRAIGHT GLASS CHIMNEY	
DESIGN FAMILY	SERIES 2	
MODEL/WIDTH	DWG94BC50B/90CM DWG64BC50B/60CM	
Colour	Stainless Steel & Glass	
KEY FEATURES		
PerfectAir Sensor	-	
Home Connect	-	
Hob Hood Control	-	
EcoSilence Drive Motor	-	
Intensive setting / Automatic intensive revert ¹	-	
Filter saturation indicators	-	
ADDITIONAL PROGRAMMES / FUNCTIONS		
Type of control	Push button control	
Power levels	3	
Electronic power level display	-	
Lighting	2 x LED lights	
Softlight with dimmer function	-	
Number of metal grease filter cassettes	2 - 90cm model / 1 - 60cm model	
Suitable for ducted operation / recirculating	●	
PERFORMANCE / TECHNICAL INFORMATION		
Appliance width (mm)	900	600
EXTRACTION RATE IN M³/H^(2,3)		
- Ducted / recirculating at power level 1	198 / 120	198 / 115
- Ducted / recirculating at power level 2	263 / 161	263 / 156
- Ducted / recirculating at power level 3	365 / 195	365 / 190
- Ducted / recirculating at power level 4 or intensive level 1	-	-
- Ducted / recirculating, intensive setting or intensive level 2	-	-
NOISE LEVEL (SOUND POWER) BASED ON DB(A) RE 1 PW^(2,4)		
- Ducted / recirculating at power level 1	49 / 57	49 / 55
- Ducted / recirculating at power level 2	57 / 61	58 / 62
- Ducted / recirculating at power level 3	64 / 66	64 / 66
- Ducted / recirculating at power level 4 or intensive level 1	-	-
- Ducted / recirculating, intensive setting or intensive level 2	-	-
Pipe outlet diameter (mm)	150 / 120	150 / 120
Min. distance above an electric hob / gas hob ⁵ (mm)	550 / 650	550 / 650
GB plug	●	
Energy Rating	D	D
OPTIONAL ACCESSORIES⁶		
CleanAir Standard Recirculation Kit	DWZ1DX114	DWZ1DX114
CleanAir Plus Integrated Recirculation Kit	DWZ1DX116	DWZ1DX116

¹ Power automatically reverts back to normal setting after intensive.
² Air Flow and noise declarations made in line with CECEC Code of Conduct.
³ Measured according to EN61591 on largest pipe diameter.
⁴ Sound power measured according to EN60704-3 on largest pipe diameter.
⁵ From top of pan supports.
⁶ A type of recirculating kit is required if recirculating. Depending on the model, a 'Recirculating odour filter kit' will consist of the following items: Charcoal filter, flexible hose, air duct, fixing components, installation instructions.

All models comply with COMMISSION REGULATION (EC) No 1275/2008 with regard to ecodesign requirements for standby and off mode electric power consumption.



HOOD TYPE	BOX CHIMNEY	BOX CHIMNEY	BOX CHIMNEY
DESIGN FAMILY	SERIES 6	SERIES 6	SERIES 4
MODEL/WIDTH	DWB98JQ50B/90CM	DWB68JQ50B/60CM	DWB96DM50B
Colour	Stainless Steel	Stainless Steel	Stainless Steel
KEY FEATURES			
PerfectAir Sensor	●	●	-
Home Connect	-	-	-
Hob Hood Control	-	-	-
EcoSilence Drive Motor	●	●	-
Intensive setting / Automatic intensive revert ¹	●	●	●
Filter saturation indicators	●	●	-
ADDITIONAL PROGRAMMES / FUNCTIONS			
Type of control	Touch control	Touch control	Touch control
Power levels	3 + 2 intensive	3 + 2 intensive	3 + 1 intensive
Electronic power level display	●	●	●
Lighting	3 x LED lights	2 x LED lights	2 x LED lights
Softlight with dimmer function	●	●	-
Number of metal grease filter cassettes	3	2	3
Suitable for ducted operation / recirculating	●	●	●
PERFORMANCE / TECHNICAL INFORMATION			
Appliance width (mm)	900	600	900
EXTRACTION RATE IN M³/H^(2,3)			
- Ducted / recirculating at power level 1	273 / 200	243 / 188	222 / 147
- Ducted / recirculating at power level 2	348 / 317	336 / 268	293 / 228
- Ducted / recirculating at power level 3	430 / 371	409 / 733	372 / 290
- Ducted / recirculating at power level 4 or intensive level 1	367 / 477	588 / 335	-
- Ducted / recirculating, intensive setting or intensive level 2	844 / 513	733 / 357	604 / 360
NOISE LEVEL (SOUND POWER) BASED ON DB(A) RE 1 PW^(2,4)			
- Ducted / recirculating at power level 1	46 / 54	47 / 61	48 / 57
- Ducted / recirculating at power level 2	51 / 66	55 / 74	54 / 66
- Ducted / recirculating at power level 3	55 / 67	60 / 71	60 / 71
- Ducted / recirculating at power level 4 or intensive level 1	64 / 73	69 / 73	-
- Ducted / recirculating, intensive setting or intensive level 2	69 / 75	73 / 74	70 / 75
Pipe outlet diameter (mm)	150/120	150/120	150/120
Min. distance above an electric hob / gas hob ⁵ (mm)	550 / 650	550 / 650	550 / 650
GB plug	●	●	●
Energy Rating	A+	A	B
OPTIONAL ACCESSORIES⁶			
Standard Recirculation Kit	DWZ2CB114	DWZ1CB114	DWZ1DX114
CleanAir Plus Anti-Pollen Integrated Recirculation Kit	DWZ1DX116	DWZ1DX116	DWZ1DX116

¹Power automatically reverts back to normal setting after intensive.
²Air Flow and noise declarations made in line with CECEC Code of Conduct.
³Measured according to EN61591 on largest pipe diameter.
⁴Sound power measured according to EN60704-3 on largest pipe diameter.
⁵From top of pan supports.
⁶A type of recirculating kit is required if recirculating. Depending on the model, a 'Recirculating odour filter kit' will consist of the following items: Charcoal filter, flexible hose, air duct, fixing components, installation instructions.



HOOD TYPE	BOX CHIMNEY	BOX CHIMNEY	BOX CHIMNEY
DESIGN FAMILY	SERIES 4	SERIES 2	SERIES 2
MODEL	DWB66DM50B	DWB94BC50B	DWB64BC50B
Colour	Stainless Steel	Stainless Steel	Stainless Steel
KEY FEATURES			
PerfectAir Sensor	-	-	-
Home Connect	-	-	-
Hob Hood Control	-	-	-
EcoSilence Drive Motor	-	-	-
Intensive setting / Automatic intensive revert ¹	●	-	-
Filter saturation indicators	-	-	-
ADDITIONAL PROGRAMMES / FUNCTIONS			
Type of control	Touch control	Push button control	Push button control
Power levels	3 + 1 intensive	3 + 1 intensive	3 + 1 intensive
Electronic power level display	●	-	-
Lighting	2 x LED lights	2 x LED lights	2 x LED lights
Softlight with dimmer function	-	-	-
Number of metal grease filter cassettes	2	3	2
Suitable for ducted operation / recirculating	●	●	●
PERFORMANCE / TECHNICAL INFORMATION			
Appliance width (mm)	600	900	600
EXTRACTION RATE IN M³/H^(2,3)			
- Ducted / recirculating at power level 1	238 / 150	198 / 120	198 / 122
- Ducted / recirculating at power level 2	302 / 220	263 / 162	263 / 165
- Ducted / recirculating at power level 3	368 / 281	365 / 195	365 / 197
- Ducted / recirculating at power level 4 or intensive level 1	-	-	-
- Ducted / recirculating, intensive setting or intensive level 2	605 / 348	-	-
NOISE LEVEL (SOUND POWER) BASED ON DB(A) RE 1 PW^(2,4)			
- Ducted / recirculating at power level 1	48 / 57	49 / 55	49 / 56
- Ducted / recirculating at power level 2	54 / 66	57 / 61	57 / 61
- Ducted / recirculating at power level 3	60 / 71	64 / 66	63 / 66
- Ducted / recirculating at power level 4 or intensive level 1	-	-	-
- Ducted / recirculating, intensive setting or intensive level 2	69 / 75	-	-
Pipe outlet diameter (mm)	150 / 120	150 / 120	150 / 120
Min. distance above an electric hob / gas hob ⁵ (mm)	550 / 650	550 / 650	550 / 650
GB plug	●	●	●
Energy Rating	B	D	D
OPTIONAL ACCESSORIES⁶			
CleanAir Standard Recirculation Kit	DWZ1DX114	DWZ1DX114	DWZ1DX114
CleanAir Plus Anti-Pollen Integrated Recirculation Kit	DWZ1DX116	DWZ1DX116	DWZ1DX116

¹Power automatically reverts back to normal setting after intensive.
²Air Flow and noise declarations made in line with CECEC Code of Conduct.
³Measured according to EN61591 on largest pipe diameter.
⁴Sound power measured according to EN60704-3 on largest pipe diameter.
⁵From top of pan supports.
⁶A type of recirculating kit is required if recirculating. Depending on the model, a 'Recirculating odour filter kit' will consist of the following items: Charcoal filter, flexible hose, air duct, fixing components, installation instructions.

All models comply with COMMISSION REGULATION (EC) No 1275/2008 with regard to ecodesign requirements for standby and off mode electric power consumption.



HOOD TYPE	SLIM PYRAMID CHIMNEY	SLIM PYRAMID CHIMNEY	SLIM PYRAMID CHIMNEY		
DESIGN FAMILY	SERIES 4		SERIES 2		
MODEL / WIDTH	DWQ96DM50B/90CM	DWQ66DM50B/60CM	DWQ94BC50B/90CM DWQ74BC50B/75CM DWQ64BC50B/60CM		
Colour	Stainless Steel	Stainless Steel	Stainless Steel		
KEY FEATURES					
PerfectAir Sensor	-	-	-		
Home Connect	-	-	-		
Hob Hood Control	-	-	-		
EcoSilence Drive Motor	-	-	-		
Intensive setting / Automatic intensive revert ¹	●	●	-		
Filter saturation indicators	-	-	-		
ADDITIONAL PROGRAMMES / FUNCTIONS					
Type of control	Touch control	Touch control	Push button control	Push button control	Push button control
Power levels	3 + 1 intensive	3 + 1 intensive	3	3	3
Electronic power level display	●	●	-		
Lighting	2 x LED lights	2 x LED lights	2 x LED lights	2 x LED lights	2 x LED lights
Softlight with dimmer function	-	-	-		
Number of metal grease filter cassettes	3	2	3	2	2
Suitable for ducted operation / recirculating	●	●	●	●	●
PERFORMANCE / TECHNICAL INFORMATION					
Appliance width (mm)	900	600	900	750	600
EXTRACTION RATE IN M³/H ^(2,3)					
- Ducted / recirculating at power level 1	247 / 171	258 / 181	198 / 125	198 / 125	198 / 118
- Ducted / recirculating at power level 2	316 / 248	328 / 257	263 / 168	263 / 168	263 / 162
- Ducted / recirculating at power level 3	389 / 308	410 / 312	365 / 202	365 / 202	365 / 198
- Ducted / recirculating at power level 4 or intensive level 1	-	-	-		
- Ducted / recirculating, intensive setting or intensive level 2	642 / 372	644 / 372	-		
NOISE LEVEL (SOUND POWER) BASED ON DB(A) RE 1 PW ^(2,4)					
- Ducted / recirculating at power level 1	48 / 58	50 / 60	50 / 55	50 / 55	50 / 55
- Ducted / recirculating at power level 2	55 / 66	56 / 68	59 / 62	59 / 62	58 / 62
- Ducted / recirculating at power level 3	61 / 71	62 / 72	64 / 66	64 / 66	64 / 65
- Ducted / recirculating at power level 4 or intensive level 1	-	-	-		
- Ducted / recirculating, intensive setting or intensive level 2	70 / 75	70 / 75	-		
Pipe outlet diameter (mm)	150 / 120	150 / 120	150 / 120	150 / 120	150 / 120
Min. distance above an electric hob / gas hob ⁵ (mm)	550 / 650	550 / 650	550 / 650	550 / 650	550 / 650
GB plug	●	●	●	●	●
Energy Rating	A	A	D	D	D
OPTIONAL ACCESSORIES ⁶					
CleanAir Standard Recirculation Kit	DWZ1DX114	DWZ1DX114	DWZ1DX114	DWZ1DX114	DWZ1DX114
CleanAir Plus Anti-Pollen Integrated Recirculation Kit	DWZ1DX116	DWZ1DX116	DWZ1DX116	DWZ1DX116	DWZ1DX116

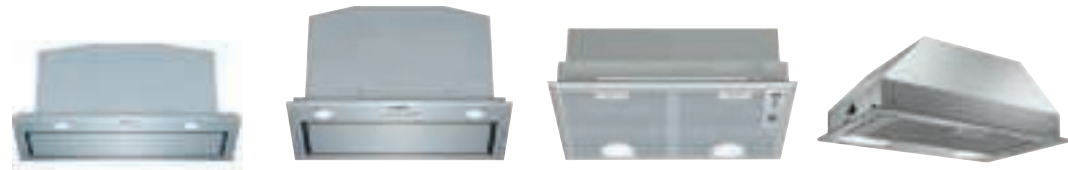
¹ Power automatically reverts back to normal setting after intensive.
² Air Flow and noise declarations made in line with CECEC Code of Conduct.
³ Measured according to EN61591 on largest pipe diameter.
⁴ Sound power measured according to EN60704-3 on largest pipe diameter.
⁵ From top of pan supports.
⁶ A type of recirculating kit is required if recirculating. Depending on the model, a 'Recirculating odour filter kit' will consist of the following items: Charcoal filter, flexible hose, air duct, fixing components, installation instructions.

HOOD TYPE	PYRAMID CHIMNEY		
DESIGN FAMILY	SERIES 2		
MODEL / WIDTH	DWP94BC50B/90CM DWP74BC50B/75CM DWP64BC50B/60CM		
Colour	Stainless Steel		
KEY FEATURES			
PerfectAir Sensor	-		
Home Connect	-		
Hob Hood Control	-		
EcoSilence Drive Motor	-		
Intensive setting / Automatic intensive revert ¹	-		
Filter saturation indicators	-		
ADDITIONAL PROGRAMMES / FUNCTIONS			
Type of control	Push button control	Push button control	Push button control
Power levels	3	3	3
Electronic power level display	-		
Lighting	2 x LED lights	2 x LED lights	2 x LED lights
Softlight with dimmer function	-		
Number of metal grease filter cassettes	3	2	2
Suitable for ducted operation / recirculating	●	●	●
PERFORMANCE / TECHNICAL INFORMATION			
Appliance width (mm)	900	750	600
EXTRACTION RATE IN M³/H ^(2,3)			
- Ducted / recirculating at power level 1	198 / 129	198 / 129	198 / 127
- Ducted / recirculating at power level 2	263 / 174	263 / 174	263 / 171
- Ducted / recirculating at power level 3	365 / 213	365 / 213	365 / 211
- Ducted / recirculating at power level 4 or intensive level 1	-		
- Ducted / recirculating, intensive setting or intensive level 2	-		
NOISE LEVEL (SOUND POWER) BASED ON DB(A) RE 1 PW ^(2,4)			
- Ducted / recirculating at power level 1	50 / 56	50 / 56	50 / 55
- Ducted / recirculating at power level 2	57 / 62	57 / 62	58 / 62
- Ducted / recirculating at power level 3	65 / 67	65 / 67	66 / 67
- Ducted / recirculating at power level 4 or intensive level 1	-		
- Ducted / recirculating, intensive setting or intensive level 2	-		
Pipe outlet diameter (mm)	150 / 120	150 / 120	150 / 120
Min. distance above an electric hob / gas hob ⁵ (mm)	550 / 650	550 / 650	550 / 650
GB plug	●	●	●
Energy Rating	D	D	D
OPTIONAL ACCESSORIES ⁶			
CleanAir Standard Recirculation Kit	DHZ5275	DHZ5275	DHZ5275
CleanAir Plus Anti-Pollen Integrated Recirculation Kit	-	-	-

¹ Power automatically reverts back to normal setting after intensive.
² Air Flow and noise declarations made in line with CECEC Code of Conduct.
³ Measured according to EN61591 on largest pipe diameter.
⁴ Sound power measured according to EN60704-3 on largest pipe diameter.
⁵ From top of pan supports.
⁶ A type of recirculating kit is required if recirculating. Depending on the model, a 'Recirculating odour filter kit' will consist of the following items: Charcoal filter, flexible hose, air duct, fixing components, installation instructions.

All models comply with COMMISSION REGULATION (EC) No 1275/2008 with regard to ecodesign requirements for standby and off mode electric power consumption.

Canopy hoods



HOOD TYPE	CANOPY	CANOPY	CANOPY	CANOPY
DESIGN FAMILY	SERIES 6	SERIES 6	SERIES 4	SERIES 2
MODEL	DHL785CGB	DHL575CGB	DHL555BLGB	DLN53AA70B
Colour	Stainless Steel	Stainless Steel	Silver Metallic Lacquered	Anthracite
KEY FEATURES				
PerfectAir Sensor	-	-	-	-
Home Connect	-	-	-	-
Hob Hood Control	-	-	-	-
EcoSilence Drive Motor	-	-	-	-
Intensive setting / Automatic intensive revert ¹	●	●	● / -	-
Filter saturation indicators	-	-	-	-
ADDITIONAL PROGRAMMES / FUNCTIONS				
Type of control	Push Button Control	Push Button Control	Slider Switch Control	Slider Switch Control
Power levels	3 + 1 intensive	3 + 1 intensive	3 + 1 intensive	3
Electronic power level display	-	-	-	-
Lighting	2 x LED lights	2 x LED lights	2 x LED lights	2 x LED lights
Softlight with dimmer function	-	-	-	-
Number of metal grease filter cassettes	2	1	2	1
Furniture door required	●	●	●	●
Suitable for ducted operation / recirculating	●	●	●	●
PERFORMANCE / TECHNICAL INFORMATION				
Appliance width (mm)	700	520	530	534
EXTRACTION RATE IN M³/H ^(2,3)				
- Ducted / recirculating at power level 1	345 / 210	295 / 210	196 / 134	130 / 110
- Ducted / recirculating at power level 2	540 / 270	450 / 260	280 / 198	160 / 160
- Ducted / recirculating at power level 3	630 / 300	560 / 290	362 / 268	302 / 300
- Ducted / recirculating at power level 4 or intensive level 1	-	-	-	-
- Ducted / recirculating, intensive setting or intensive level 2	730 / 310	615 / 300	618 / 395	-
NOISE LEVEL (SOUND POWER) BASED ON DB(A) RE 1 PW ^(2,4)				
- Ducted / recirculating at power level 1	53 / 67	50 / 66	38 / 49	46 / 49
- Ducted / recirculating at power level 2	63 / 71	63 / 71	49 / 58	50 / 53
- Ducted / recirculating at power level 3	66 / 73	67 / 74	56 / 64	62 / 65
- Ducted / recirculating at power level 4 or intensive level 1	-	-	-	-
- Ducted / recirculating, intensive setting or intensive level 2	69 / 74	70 / 75	68 / 72	-
Pipe outlet diameter (mm)	150 / 120	150 / 120	150 / 120	120
Min. distance above an electric hob / gas hob ⁵ (mm)	500 / 650	500 / 650	650 / 650	550 / 650
GB plug	●	●	●	●
Energy Rating	C	C	C	D
OPTIONAL ACCESSORIES ⁶				
Standard Recirculation Filter / Kit	DHZ5605	DHZ5605	DHZ7305	DWZ0N0TO
CleanAir Plus Anti-Pollen Recirculation Kit	DWZ1IX1C6	DWZ1IX1C6	-	-
Long Life Regenerative Recirculation Kit	DWZ1IT1D1	DWZ1IT1D1	-	-

¹ Power automatically reverts back to normal setting after intensive.

² Air flow and noise declarations made in line with CECEC Code of Conduct.

³ Measured according to EN61591 on largest pipe diameter.

⁴ Sound power measured according to EN60704-3 on largest pipe diameter.

⁵ From top of pan supports.

⁶ A type of recirculating kit is required if recirculating. Depending on the model, a 'Recirculating odour filter kit' will consist of the following items: Charcoal filter, flexible hose, air duct, fixing components, installation instructions.

Telescopic hoods

Our telescopic hoods with logo design handle and stainless steel filter covers, also have improved installation.



HOOD TYPE	TELESCOPIC	TELESCOPIC	TELESCOPIC
DESIGN FAMILY	SERIES 4	SERIES 4	SERIES 2
MODEL	DFS097A51B	DFS067A51B	DFM063W56B
Colour	Silver Metallic	Silver Metallic	Silver Metallic
KEY FEATURES			
PerfectAir Sensor	-	-	-
Home Connect	-	-	-
Hob Hood Control	-	-	-
EcoSilence Drive Motor	●	●	-
Intensive setting / Automatic intensive revert ¹	●	●	-
Filter saturation indicators	-	-	-
ADDITIONAL PROGRAMMES / FUNCTIONS			
Type of control	Push Button Control	Push Button Control	Rocker Switch Control
Power levels	3 + 1 intensive	3 + 1 intensive	2
Electronic power level display	-	-	-
Lighting	3 x LED lights	2 x LED lights	2 x LED lights
Softlight with dimmer function	-	-	-
Number of metal grease filter cassettes	3	2	2
Furniture door required	●	●	●
Suitable for ducted operation / recirculating	●	●	●
PERFORMANCE / TECHNICAL INFORMATION			
Appliance width (mm)	898	598	598
EXTRACTION RATE IN M³/H ^(2,3)			
- Ducted / recirculating at power level 1	210 / 171	211 / 171	255 / 199
- Ducted / recirculating at power level 2	314 / 265	316 / 265	328 / 231
- Ducted / recirculating at power level 3	397 / 346	399 / 346	-
- Ducted / recirculating at power level 4 or intensive level 1	-	-	-
- Ducted / recirculating, intensive setting or intensive level 2	729 / 559	728 / 559	-
NOISE LEVEL (SOUND POWER) BASED ON DB(A) RE 1 PW ^(2,4)			
- Ducted / recirculating at power level 1	41 / 43	41 / 43	58 / 64
- Ducted / recirculating at power level 2	49 / 54	49 / 54	64 / 68
- Ducted / recirculating at power level 3	53 / 61	53 / 61	-
- Ducted / recirculating at power level 4 or intensive level 1	-	-	-
- Ducted / recirculating, intensive setting or intensive level 2	69 / 72	68 / 72	-
Pipe outlet diameter (mm)	150 / 120	150 / 120	150 / 120
Min. distance above an electric hob / gas hob ⁵ (mm)	430 / 650	430 / 650	430 / 650
GB plug	●	●	●
Energy Rating	A	A	C
OPTIONAL ACCESSORIES ⁶			
CleanAir Standard Recirculation Kit	DWZ2IT1I4	DWZ2IT1I4	DWZ1IT1I4
CleanAir Plus Anti-Pollen Recirculation Kit	DWZ1IX1C6	DWZ1IX1C6	-
Long Life Regenerative Recirculation Kit	DWZ1IT1D1	DWZ1IT1D1	-
Replacement CleanAir Plus Anti-Pollen Filter	DWZ1IX1B6	DWZ1IX1B6	-
Telescopic Hood Installation Kit for 90cm Wall Unit	DSZ4920	-	-

¹ Power automatically reverts back to normal setting after intensive.

² Air flow and noise declarations made in line with CECEC Code of Conduct.

³ Measured according to EN61591 on largest pipe diameter.

⁴ Sound power measured according to EN60704-3 on largest pipe diameter.

⁵ From top of pan supports.

⁶ A type of recirculating kit is required if recirculating. Depending on the model, a 'Recirculating odour filter kit' will consist of the following items: Charcoal filter, flexible hose, air duct, fixing components, installation instructions.

Integrated and built-under hoods are a great solution when working with a small space. Both sit under kitchen cabinets and blend seamlessly into any kitchen.



HOOD TYPE	INTEGRATED	INTEGRATED	CONVENTIONAL
DESIGN FAMILY	SERIES 2	SERIES 2	SERIES 2
MODEL / WIDTH	DEM66AC00B	DEM63AC00B	DUL63CC50B
Colour	Silver Metallic Lacquered	Silver Metallic Lacquered	Stainless Steel
KEY FEATURES			
PerfectAir Sensor	-	-	-
Home Connect	-	-	-
Hob Hood Control	-	-	-
Eco Silence Drive Motor	-	-	-
Intensive setting / Automatic intensive revert ¹	-	-	-
Filter saturation indicators	-	-	-
ADDITIONAL PROGRAMMES / FUNCTIONS			
Type of control	Push Button Control	Push Button Control	Push Button Control
Power levels	3	3	3
Electronic power level display	-	-	-
Lighting	2 x LED lights	2 x LED lights	2 x LED lights
Softlight with dimmer function	-	-	-
Number of metal grease filter cassettes	2	2	2
Furniture door required	•	•	-
Suitable for ducted operation / recirculating	•	•	•
PERFORMANCE / TECHNICAL INFORMATION			
Appliance width (mm)	599	599	600
EXTRACTION RATE IN M³/H^(2,3)			
- Ducted / recirculating at power level 1	256 / 208	240 / 224	175 / 70
- Ducted / recirculating at power level 2	352 / 320	288 / 256	260 / 90
- Ducted / recirculating at power level 3	625 / 416	368 / 272	350 / 110
- Ducted / recirculating at power level 4 or intensive level 1	-	-	-
- Ducted / recirculating, intensive setting or intensive level 2	-	-	-
NOISE LEVEL (SOUND POWER) BASED ON DB(A) RE 1 PW^(2,4)			
- Ducted / recirculating at power level 1	49 / 57	52 / 64	56 / 66
- Ducted / recirculating at power level 2	56 / 68	56 / 67	65 / 73
- Ducted / recirculating at power level 3	70 / 75	62 / 68	72 / 77
- Ducted / recirculating at power level 4 or intensive level 1	-	-	-
- Ducted / recirculating, intensive setting or intensive level 2	-	-	-
Pipe outlet diameter (mm)	150 / 120	150 / 120	100 / 120
Min. distance above an electric hob / gas hob ⁵ (mm)	500 / 650	500 / 650	650 / 650
GB plug	•	•	•
Energy Rating	B	D	D
OPTIONAL ACCESSORIES⁶			
Standard Recirculation Kit	DWZ0M0A0	DWZ0M0A0	DHZ2701

¹Power automatically reverts back to normal setting after intensive.
²Air Flow and noise declarations made in line with CECEC Code of Conduct.
³Measured according to EN61591 on largest pipe diameter.
⁴Sound power measured according to EN60704-3 on largest pipe diameter.
⁵From top of pan supports.
⁶A type of recirculating kit is required if recirculating. Depending on the model, a 'Recirculating odour filter kit' will consist of the following items: Charcoal filter, flexible hose, air duct, fixing components, installation instructions.

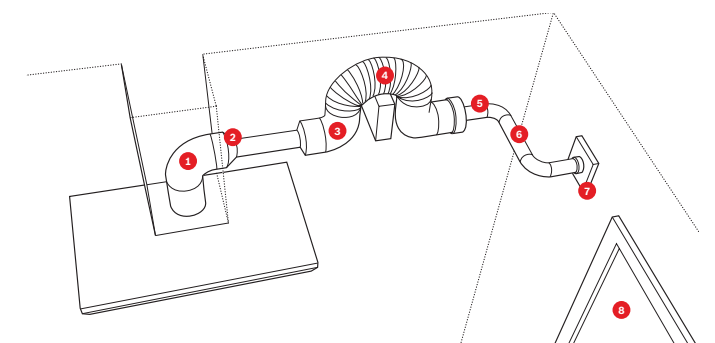
Ducted or recirculation mode?

Ducted extraction

Ducting out is the most effective method of extraction if the hood can be sited on an outside wall, or an outside wall can be reached via ducting. The main difference between ducted and recirculation cooker hoods is that ducted systems can extract steam and odours, as well as grease. All our extractors are now standardised to a 150mm diameter outlet for easier installation. Use of 120/125mm diameter ducting is also possible, but will result in reduced air flow and increased noise. Use of 100mm diameter ducting is not recommended.

The following points should be observed for optimum ducted extraction results:

1. Ensure any pipe elbow bends are at least 30cm from the hood ducting opening.
2. Avoid reducing the diameter or area of the ducting.
3. Use wide-angled pipe elbows, but keep the number used to a minimum.
4. Only install pipes with smooth, even inner surfaces. If a flexible hose has to be used, ensure it is pulled tight to smooth out the ridges before fixing.
5. Avoid reducing the diameter or area of the ducting.
6. Use ducting pipes with a diameter of at least 120mm, but ideally 150mm.
7. Keep piping to a minimum – use the most direct route to external outlet.
8. Make sure that there is an adequate supply of fresh air to replace the air ducted out of the kitchen i.e. windows that can be opened, doors to adjacent rooms, air bricks.



Problems with installation may occur if points 1 to 8 are not observed.

Recirculation kit

Cooker hoods with recirculation are energy-efficient and much easier to install. Air is passed through the metal filter to extract the grease and then through a special charcoal filter, which removes odours and in high performance **Clean Air Plus filters** also removes over 99% of pollen*. The purified air is then returned to the room. As no ducting openings are necessary, this is an energy-efficient method of extraction as no energy can escape (i.e. cool air in the summer or warm air in the winter), making it a good choice for low energy houses. The kit contains all you need to set the hood up for recirculation and installation is relatively easy. Check each model for details on the appropriate recirculation kit accessory.

*Ambrosia-Pollen following test procedure ISO/TS 11155-1.



Tips and hints

1. Calculate the extraction capacity needed.
2. Choose a hood with at least the same width of your hob.
3. Ensure efficient pipe ducting installation.
4. As a guide the hood should be installed at a minimum of 65cm above a gas hob or 55cm above an electric hob.
5. To effectively remove cooking odours from your kitchen, switch the hood on 5-10 minutes prior to cooking.
6. Leave the hood to run at a low setting after cooking has finished for 5-10 minutes to remove any lingering odours. Or simply select the Automatic After Running function, which enables the hood to continue running at a low speed for 10 minutes before automatically turning itself off (available on selected models).
7. Regularly clean metal grease filters to ensure optimum extraction performance. All of our metal grease filters, brushed steel filters and rim ventilation filters are dishwasher-proof.
8. Choosing the correct extractor. As a guideline, the air in the room should be changed 6-12 times per hour. Calculate the floor area in square metres and multiply by the height of the room in metres. Then divide the maximum extraction rate of your chosen hood by the figure calculated above. The resulting figure should be at least 7, but preferably as close to 12 as possible.

Example

Kitchen (H x W x D) metres 2.1 x 4.5 x 4.2 = 39.7m³.
 Assume a maximum of 12 air changes per hour – multiply 39.7m³ by 12 = 476m³/h. Choose a hood capable of extracting at least this amount of air per hour – e.g. DWB96DM50B (max ducted extraction rate intensive 580m³ per hour).

Installation tips

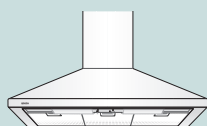
Hoods

Keep air fresh and free of cooking smells

Extractor hoods are an integral part of a clean and fresh working kitchen environment. Not only do Bosch extractor hoods look good and add a professional touch to your kitchen, they also deal quietly and efficiently with the key tasks of eliminating unwanted odours and removing grease and moisture from the kitchen.

Chimney extractor hoods

Choose between wall-mounted models or an island version to create a striking focal point in the kitchen. Some models are further enhanced by glass canopies. Available in the following sizes: 60, 75, and 90cm wide.

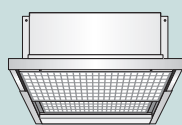


Chimney extractor easy mounting system

Installing your new cooker hood in the kitchen is quick and straightforward with the patented easy mounting system. The self-levelling fixing rings allow you to precision adjust the horizontal position of the hood by up to a 6mm radius.

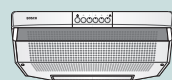
Telescopic extractor

Ideal where an unobtrusive extractor is required. Built into a wall cabinet above the hob, it can be extended when in use, and retracted when not. Use the special handle profile accessory, or if you prefer, a matching pelmet from your kitchen supplier. Available in the following sizes: 60 or 90cm wide.



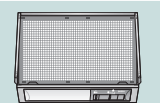
Conventional extractor hoods

Ideal where space is at a premium, these 14cm tall extractors can be mounted directly to the wall or suspended beneath a reduced height wall cupboard. 60cm wide.



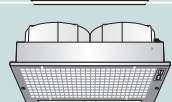
Integrated extractor hoods

Integrated extractor hoods are designed to be mounted between two cabinets with a matching furniture door affixed to the front.



Canopy extractor hoods

Designed to fit discreetly into the base of a wall cupboard, or specially designed furniture canopy with operation from below.



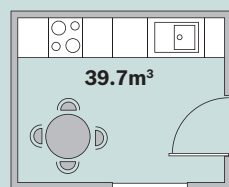
Choosing the correct extractor

As a guideline, the air in the room should be changed six to twelve times per hour. Calculate the floor area in square metres and multiply by the height of the room in metres. Then divide the maximum extraction rate of your chosen hood by the figure calculated above. The resulting figure should be at least seven, but preferably as close to twelve as possible.

Example

Kitchen (H x W x D) metres 2.1 x 4.5 x 4.2 = 39.7m³.
Assume a maximum of 12 air changes per hour – multiply 39.7m³ by 12 = 476m³/h.
Choose a hood capable of extracting at least this amount of air per hour – e.g. DWB96DM50B (max ducted extraction rate intensive 580m³/h).

To avoid excessive noise, try to select a model which meets the above requirements on an intermediate speed, rather than at the highest speed.



12 x 39.7m³ = 476m³/h

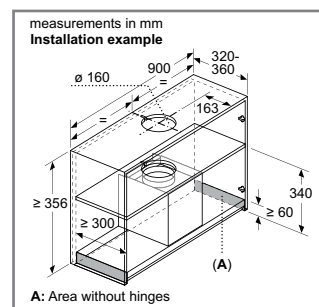
Quick checklist

Type of hood

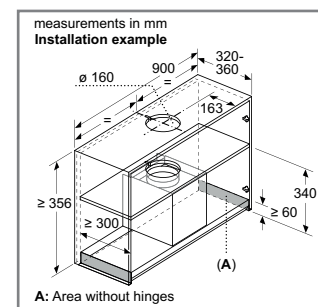
- Chimney
- Telescopic
- Conventional
- Integrated
- Canopy
- Ceiling
- Downdraft
- Ducted
- Re-circulated
- Width of hood
- Size of kitchen
- Required extraction rate

Hoods technical diagrams

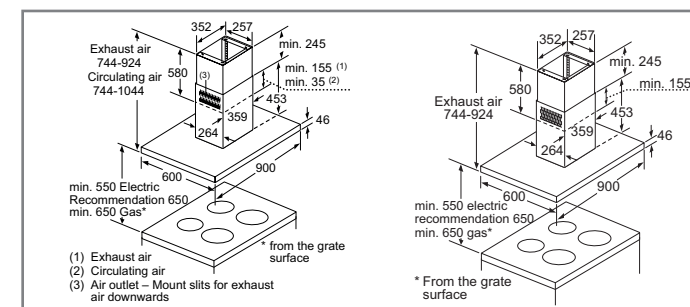
Designer, Island, ceiling and chimney hoods



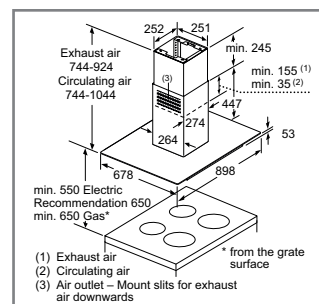
DBB97AM60B



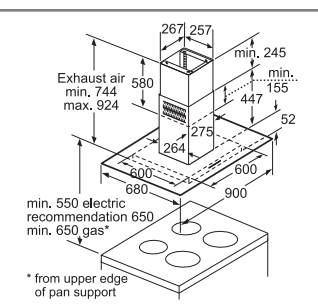
DBB67AM60B



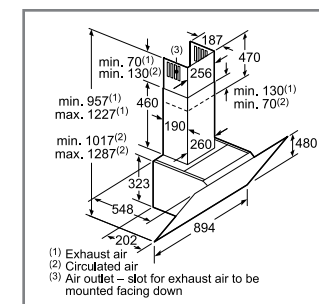
DIB98JQ50B



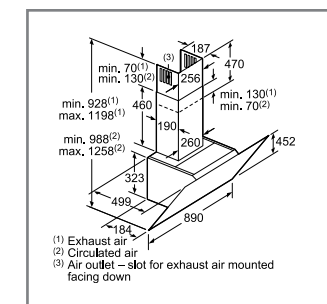
DIG97IM50B



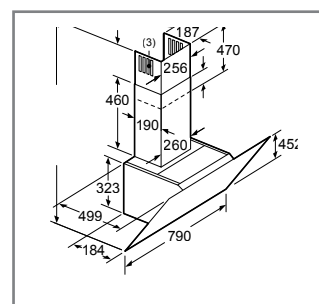
DIG97IM50B



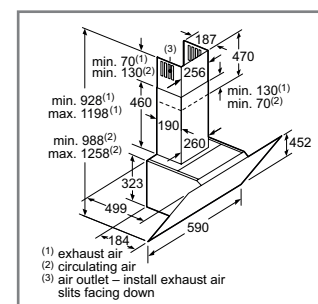
DWK98PR60B



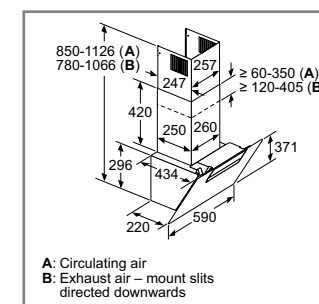
DWK97JQ60B



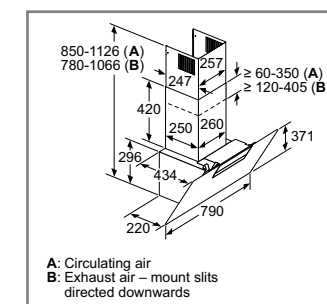
DWK87CM60B



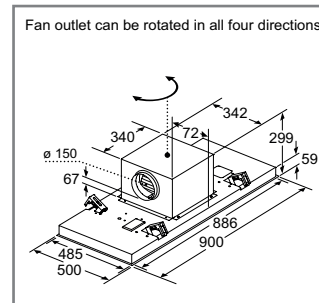
DWK67CM60B



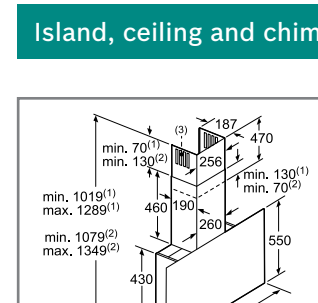
DWK67EM60B



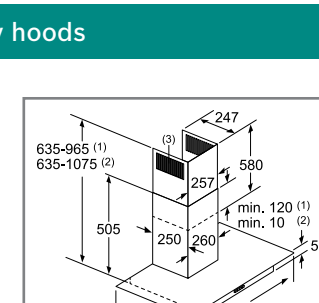
DWK87EM60B



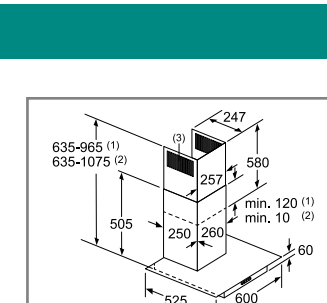
DRC97AQ50B



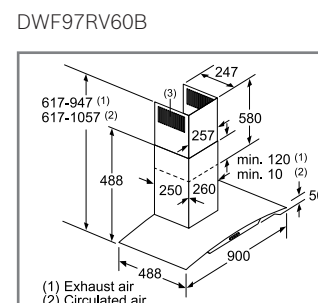
DWF97RV60B



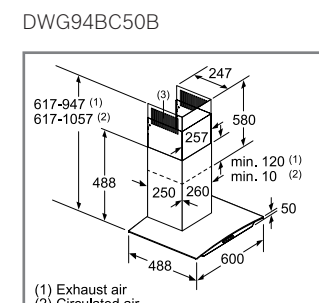
DWG94BC50B



DWG64BC50B



DWA96DM50B, DWA94BC50B



DWA66DM50B, DWA64BC50B

All diagram measurements are in millimetres (mm)

We try to keep up to date with constant technological improvements, so from time to time we may update installation guidelines. Therefore we strongly recommend that you download the latest installation guidelines from www.bosch-home.co.uk. Line drawings are for guidance only, and we recommend that you refer to the latest installation guidelines. Though every care is taken to ensure instructions are correct at the time of printing, Bosch cannot accept responsibility for incorrect planning or installation as a result of the use of these line drawings.

Series 8

Perfection in every detail, our **Series 8** range stands out from the crowd with superior quality, results and first-class design. Discover cutting-edge features and extras such as **i-DOS** automatic dosing system and targeted **Anti Stain** programmes to take the guesswork out of stain removal. Our **4D Wash** function ensures highly efficient usage of water and detergent guaranteeing spotless results. Monitor and control your wash remotely with our **Home Connect** models, developed to give you complete control over your washing.

Series 6

Our **Series 6** models offer advanced features to make life easier. **i-DOS** doses each load with millilitre precision, which not only delivers outstanding results but a host of savings. **Speed Perfect** allows you to wash up to 65% faster** without compromising results.

Series 4

Easy to operate with family in mind, our **Series 4** range truly understands your requirements. Practical and straightforward to use, these appliances combine easy operation with stylish design. These models benefit from the **Reload** function, which allows you to open the door throughout most of the cycle so you can add or remove items at any time.

Energy and water-saving technologies across our latest laundry appliances give you peace of mind when washing and drying your clothes. To help you choose the right appliance, we have divided them into three ranges.



4D Wash

A combination of the direct water spray and an extra spin wash enables the most efficient and effective use of water and detergent, even when the drum is fully loaded. Achieve spotless laundry results every time.

Intensive Plus

For heavily soiled laundry, sometimes additional treatment is needed. Intensive Plus gives a boost to your cleaning performance by adding an extra wash for approximately 30 minutes. Providing you with brilliant results even on the most challenging clothes.



Iron Assist

Iron Assist makes ironing easier. It sprays a natural mist that permeates preheated textiles and visibly smooths your laundry. This extra steam treatment reduces or even eliminates the need to iron dried garments.

Mini load

The mini load programme lets you wash single items or very small loads up to 0.5kg more efficiently.

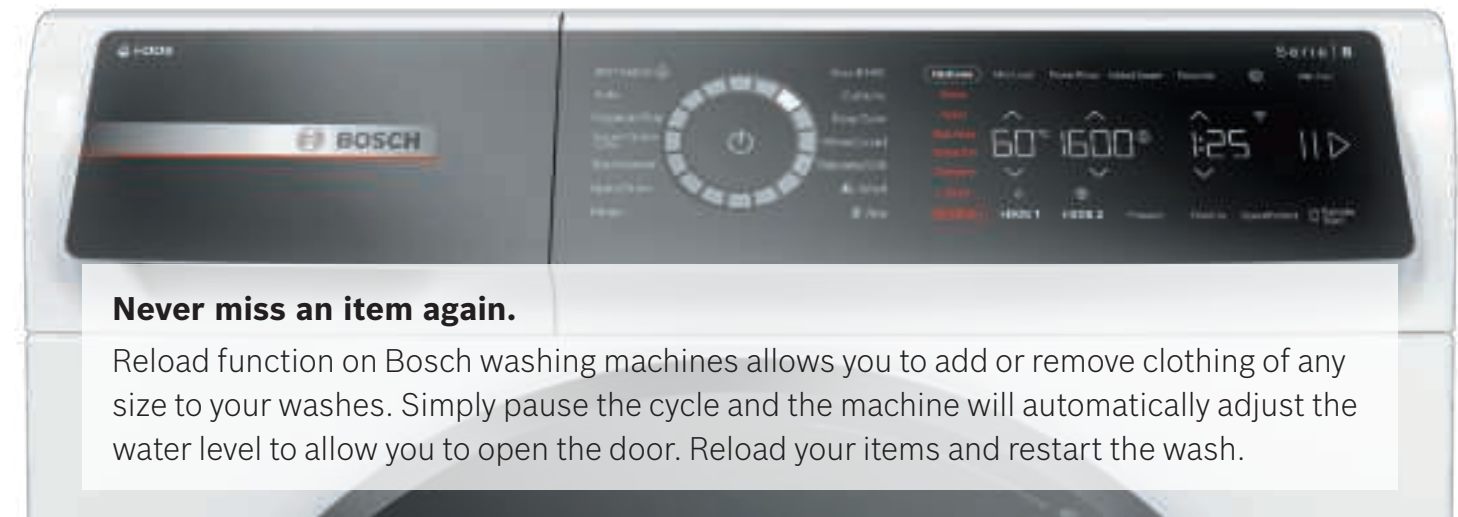
*Bosch washing machines with the 'Hygiene Plus' wash programme at 40° and 60° fulfill scientifically recommended conditions for 99,99% of germ reduction for Enterococcus Hirae and Pseudomonas Aeruginosa, according to Honisch et al. 2014, "Impact of wash cycle time, temperature and detergent formulation on the hygiene effectiveness of domestic laundering." Conducted by University Rhine-Waal.

**Difference between the duration of Easy Care Programme 40°C and the duration of Easy Care Programme 40°C in combination with Speed Perfect option.

Look out for the new energy efficiency class icons throughout our brochure and on our product pages.



Model shown: WGB256A1GB



Bosch integrated technology for a peaceful washing experience

Everythings just right with i-DOS

Once activated, the i-DOS system measures the detergent automatically, to the nearest millimetre. Sensors inside the washing machine detect the type of fabric, the load volume in the drum and the degree of soiling and adjust the detergent to the optimum dose accordingly. In this way, you'll achieve the best results for your clothes, whilst **saving detergent and water**.

Enjoy the quiet life.

The modern world is noisy enough, so it's good to know that Bosch technology can help make the home environment a little oasis of calm with our **Eco Silence Drive™**.

The right wash for the right stain.

The **Anti Stain Plus System** easily removes up to 16 of the most stubborn stains, helping you to easily get perfect washing results. The washing machine automatically adjusts the temperature, drum movement and soaking time to meet the demands of the relevant stains before your chosen programme starts.

Less rock and roll.

We've also created **Anti Vibration** technology to cut down noise. The sidewalls of the washing machine feature a spiral design that increases stability and reduces vibrations. Improved sound insulation and low noise shock absorbers further dampen the noise.

Speed Perfect.

With **Speed Perfect** you can reduce your washing time by up to 65%** without compromising results. **Speed Perfect** can be used in combination with most of the programmes, all loads and textiles. For example, by selecting the mix programme in combination with **Speed Perfect** you can thoroughly wash up to 4kg of mixed load in just 41 minutes.

Washing machine functions explained.

Check model for available functions.



Vario Drum

Select the programme for your wash and the droplet-shaped drum structure and asymmetrical paddles will adjust the drum movements to powerful or gentle.



Eco Silence Drive™

Bosch Eco Silence Drive washing machines come with a 10-year motor guarantee.



Aqua Stop

This security gives you peace of mind that the water will stop in the unlikely event of a leak.



i-DOS

i-DOS automatically senses exactly the right amount of detergent and water to use, as well as the correct temperature, whatever your load, adapting to the fabrics, level of soiling and weight of the load.



Hygiene Plus

Hygienic washing results that kill 99,99% of common germs*.



Reload

Simply pause the cycle and the machine will automatically adjust the water. This allows you to add or remove items of any size to your wash.



Time Delay

Have your laundry ready when you need it. Just delay the start of your programme with one simple button.



Capacity

Our freestanding washing machines have a drum capacity of up to 10kg, perfect for those busy households.



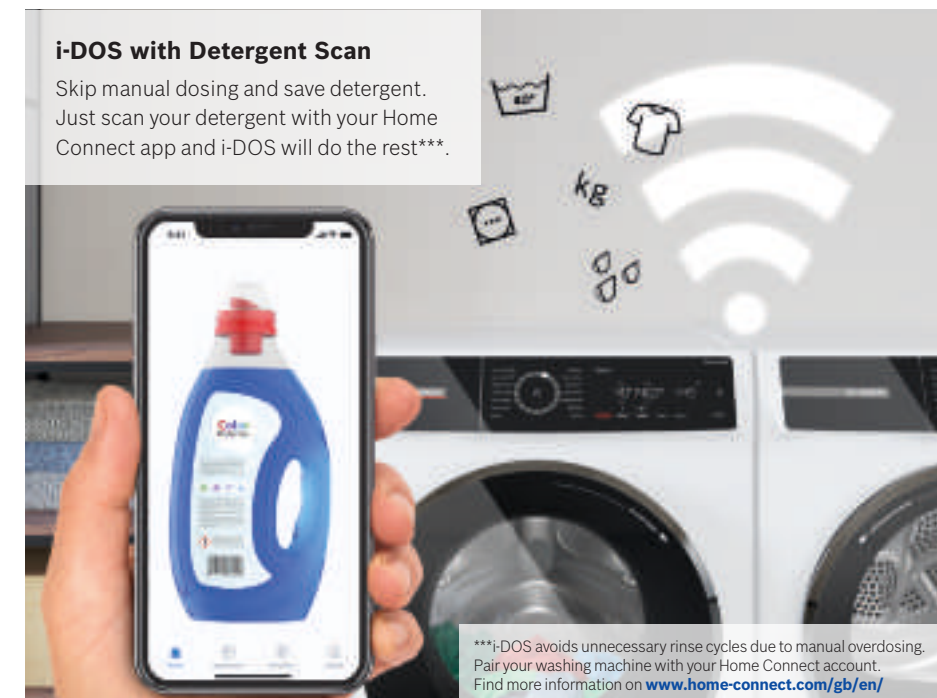
Easy Start

Home Connect will pick the perfect programme for you. Simply input what you're washing and your requirements



Speed Perfect

Wash up to 65%** faster without compromising results. Speed Perfect can be used in combination with most other programmes, all loads and textiles.



Model shown for illustrative purposes only.

Heat pump dryers from Bosch: for those who want to dry particularly economically.

Bosch heat pump dryers use an innovative heat pump component, which conserves and reuses the hot air to provide most of the energy needed for the next drying process.



Model shown: WQB246C9GB



Models shown for illustrative purposes only.



Model shown: WPG23108GB

With our condenser tumble dryers, there's no need for a hole in the wall.

With a condenser tumble dryer, the moisture extracted from the washing is collected in a container, so they don't need the typical air extractor hose that goes outside. All you have to do is plug it into an electrical outlet and switch it on.

The patented Self-Cleaning condenser cleverly uses condensation water to automatically clean itself up to four times per drying cycle. That ensures maximum efficiency for the entire working life of your tumble dryer.

Short on space? Have you considered a stacking kit? Please refer to compatibility list on page 88.



Tumble dryer functions explained.

Check model for available functions.

Connected Dry

With Bosch Connected Dry enabled by Home Connect, detailed information from the last wash cycle is sent from the connected washing machine to the dryer. The dryer will then select the perfect programme for your load.



Auto Dry

With Auto Dry sensor technology you can ensure gentle and precise drying results. Auto Dry automatically knows when your load is perfectly dry by constantly measuring the humidity, protecting your clothes against overheating.



Time Delay

Use the Home Connect app to delay the start/end time down to the minute.



Anti Vibration Design

A spiral design on the side of all of our laundry appliances that increases stability and reduces vibration. This makes for a quieter machine with improved sound dampening.



Iron Assist

Bosch heat pump dryers with Iron Assist reduce or even eliminate the need to iron. A fine mist is created inside the drum which permeates the gently warmed contents and visibly smooths laundry.



Self-Cleaning Condenser

The Self-Cleaning Condenser cleverly uses condensation water to automatically clean itself up to four times per drying cycle. This ensures maximum efficiency for the entire working life of the machine – so you'll never have to worry about the condenser again.



Auto Clean

With Auto Clean technology, the lint and fluff will automatically be flushed and safely stored after every cycle, giving you peace of mind and efficient running. The machine will remind you to empty it after 20 cycles. No need to empty the door filter after every cycle, as with a regular machine.



Easy Clean

The Easy Clean condenser filter is simple to access and only needs cleaning after every 20 cycles.



Models shown for illustrative purposes only.

Connected Dry uses sensors to analyse the load of your washing machine to ensure your dryer automatically selects the ideal drying programme and duration for your clothes.

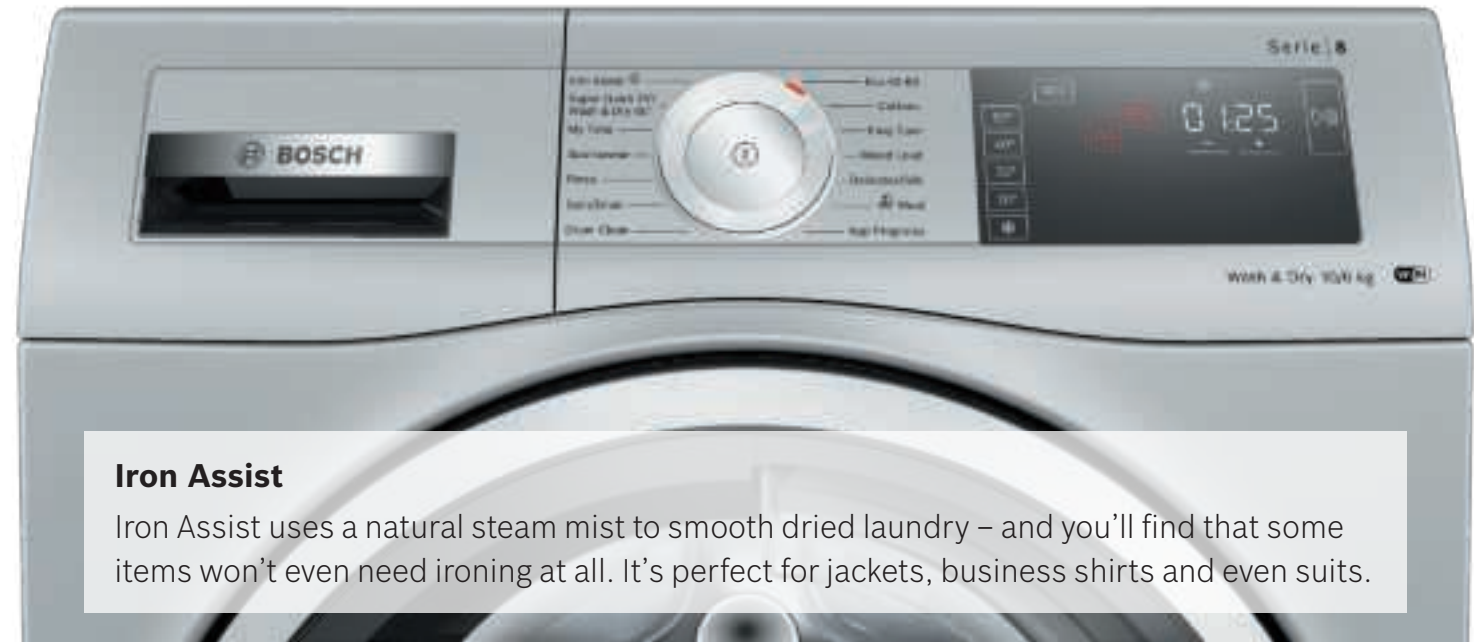
This will save you coming back to check if your laundry is dry and will use the minimum amount of energy for the load.



Want to wash and dry in one go? After the wash cycle, a washer dryer automatically switches to the chosen drying mode. No need to transfer wet laundry from one appliance to the other. For items you prefer air drying, just run the wash cycle. You can also use the appliance as a dryer, without washing beforehand. It's one machine for all your washing and drying needs.



Model shown: WDU8H549GB



Iron Assist

Iron Assist uses a natural steam mist to smooth dried laundry – and you'll find that some items won't even need ironing at all. It's perfect for jackets, business shirts and even suits.



Model shown: WDU8H541GB

Washer dryer functions explained.

Check model for available functions.



Iron Assist

Iron Assist makes ironing easier. It sprays a natural mist that permeates preheated textiles and visibly smooths your laundry. This extra steam treatment reduces or even eliminates the need to iron dried garments.



Auto Dry

With Auto Dry sensor technology you can ensure gentle and precise drying results. Auto Dry automatically knows when your load is perfectly dry by constantly measuring the humidity, protecting your clothes against overheating.



Wrinkle Guard

Thanks to Wrinkle Guard you'll reduce the size of your ironing pile! The drum will continue to move dry laundry for a period of time after the cycle has finished, so clothes are cooled gradually and don't wrinkle when they are still warm.



Eco Silence Drive™

Bosch Eco Silence Drive™ washing machines come with a 10-year motor guarantee.



Speed Perfect

Wash up to 65%* faster without compromising results. Speed Perfect can be used in combination with most other programmes, all loads and textiles.



Capacity

Our freestanding washer dryers have a drum capacity of up to 10kg, perfect for those busy households. Wash and dry up to 6kg of items in one go or wash up to 10kg.

*Difference between the duration of Easy Care Programme 40°C and the duration of Easy Care Programme 40°C in combination with **Speed Perfect** option.



Model shown: WDU8H541GB

Convenience for small spaces.

Our washer dryers not only wash flawlessly, they also dry perfectly – all in one appliance. An ideal solution for people with high standards but not much space.

Wash & dry in one.

Now you can wash and dry a load thoroughly in just one hour. This programme is suitable for lightly soiled clothes and for washing and drying heat resistant textiles, such as cottons or linen.

Built-in laundry range

Effortlessly efficient, load after load. Our built-in laundry appliances are designed to perform perfectly, everytime. And our advanced technology means your clothes are cleaned effectively and efficiently.

Series 8

Perfection in every detail, our **Series 8** range of laundry appliances stand out from the crowd with superior quality, results and first-class design. Clever features such as the Time Light take away the guesswork on the progress of the wash. Unique innovations combined with energy efficiency deliver outstanding performance.

Series 6

Our **Series 6** range of laundry appliances offers a broad choice of specialist programmes and deliver high performance and effortless convenience to enhance your lifestyle.

Series 4

Models within our **Series 4** range combine practical features and Bosch quality in a consistent, value for money package.



Time Light.

Bosch washing machines are so quiet sometimes it's hard to tell whether they are on or off, especially on fully integrated models where there is no visible control panel. The Time Light indicates the programme status and time remaining onto any floor surface.

Model shown for illustrative purposes only.

Laundry functions explained.

Check model for available functions.



Time Light

The time remaining on your cycle is projected onto the floor. You can also view the programme progress status.



Vario Drum

Select the programme for your wash and the droplet-shaped drum structure and asymmetrical paddles will adjust the drum movements to powerful or gentle.



Eco Silence Drive™

Our washing machines with Eco Silence Drive™ generate lower noise levels for quieter living.



Aqua Stop

This security gives you peace of mind that the water will stop in the unlikely event of a leak.



Reload

Simply pause the cycle and the machine will automatically adjust the water. This allows you to add or remove items of any size to your wash.



Time Delay

Have your laundry ready when you need it. Just delay the start of your programme with one simple button.



Anti Vibration Design

A spiral design on the side of the washing machine that increases stability and reduces vibration. This makes for a quieter machine with improved sound dampening.



Capacity

Our built-in washing machines have a drum capacity of up to 8kg, perfect for those busy households.

Washing machines



TYPE	WASHER	WASHER
DESIGN FAMILY	SERIES 8	SERIES 6
MODEL	WIW28502GB	WIW28302GB
KEY FEATURES		
Time Light projection on floor	•	-
Reload function	•	•
Speed Perfect	•	•
Reduced noise wash	•	•
Eco Silence Drive	•	•
Drum design	Vario Drum	Vario Drum
Anti Vibration design	•	•
ADDITIONAL FEATURES		
Time delay	24 hours	-
Child lock	•	•
Drum interior light	•	-
Water protection system	AquaStop	AquaStop
PROGRAMMES/FUNCTIONS		
Eco 40-60	•	•
Cottons	•	•
Super Quick 15/30	•	-
Hygiene Plus	-	•
Easy-care	•	•
Mixed Load	•	•
Wool	•	•
Delicates/Silk	•	-
Shirts and blouses	•	-
Sportswear	•	-
Dark Wash/Easy Care plus/Jeans	•	-
Duvet/ Down wear	•	-
Drum Clean	•	-
Extra Rinse	-	-
Pre Wash	•	•
Rinse/Spin	•	•
Rinse hold	•	•
Variable Temperature/Variable Spin	•	-/•
PERFORMANCE / TECHNICAL INFORMATION		
Energy efficiency class ¹	A G C	A F G
Load capacity (kg)	1 - 8	1 - 8
Energy ² / Water ³ (kWh / litres)	62 / 45	62 / 45
Programme duration ⁴ (h:mm)	3:26	3:26
Maximum spin speed (rpm) ⁵	1400	1400
Spin efficiency class	B	B
Noise level (dB(A) re 1 pW)	66	66
Noise emission class	A	A
Dimensions of the product h x w x d (inc. hinge and 19mm door) (mm)	818 x 596 x 544 (574)	818 x 596 x 544 (574)
Door opening angle	130°	130°
Depth with open door 90° (mm)	956	956
Height adjustability (mm)	12	12
Length of electrical supply cord (cm)	210	210
Length of supply hose/ drain hose (cm)	220 / 220	220 / 220
Door hinge (door porthole)	Left-hand	Left-hand

• = yes - = no

¹ On an energy-efficiency class scale from A to G

² Energy consumption in kWh/100 operating cycles (using Eco 40-60 programme)

³ Water consumption in litres/operating cycle (using Eco 40-60 programme)

⁴ Duration of Eco 40-60 programme

⁵ The specified value is rounded

Data valid in this table as of April 2023. Subject to modification without prior notice.

For full specification details, please log onto our website and download a full specification sheet.

5 Year Warranty - Offer dates 01.04.23 - 31.03.24. T&C's apply. Online registration required. Selected models only.

TYPE	WASHER DRYER	WASHER DRYER
DESIGN FAMILY	SERIES 6	SERIES 4
MODEL	WKD28543GB	WKD28352GB
KEY FEATURES		
Flexi Time (normal/medium/short washing time selection)	•	•
Reduced ironing option	-	-
Reduced noise programme	•	•
Sensor controlled drying	•	-
ADDITIONAL FEATURES		
Time delay (h)	•	•
Foam detection system	•	•
Balance control	•	•
Child lock	•	•
Water protection system	Aqua Secure	Multiple water protection
PROGRAMMES/FUNCTIONS		
Hygiene Plus	•	-
Super Quick 15	•	-
Eco 40-60	•	•
Cottons	•	•
Easy-care programme	•	•
Wool programme	•	•
Delicates/Silk	•	-
Intensive wash	•	•
Intensive Dry	•	•
Gentle Dry	•	•
Easy Clean	•	•
Rinse/Spin	•	•
Spin/Drain	•	•
Sportswear	•	-
Mixed Load	•	-
Aqua Plus/Rinse Plus	•	•
Pre wash	•	•
Variable Temperature/Variable Spin	•/•	-/•
PERFORMANCE / TECHNICAL INFORMATION		
Energy efficiency class washing and drying ¹	A G E	A F G
Energy efficiency class washing ²	A G E	A F G
Energy ³ / Water ⁴ washing and drying (kWh / litres)	108 / 68	266 / 68
Energy ³ / Water ⁴ washing (kWh / litres)	77 / 44	77 / 44
Load capacity washing and drying / washing (kg)	1 - 4 / 1 - 7	1 - 4 / 1 - 7
Programme duration ⁷ washing and drying / washing (h:mm)	5:30 / 2:50	5:30 / 2:50
Spin efficiency class	B	B
Spin speed ⁸ (rpm)	1400	1400
Noise level (dB(A) re 1 pW)	72	72
Noise emission class	A	A
Dimensions of the product h x w x d (inc. hinge and 20mm door) (mm)	820 x 595 x 584	820 x 595 x 584 (584)
Door opening angle	95°	95°
Depth with open door 90° (mm)	960	960
Height adjustability (mm)	150	150
Length of electrical supply cord (cm)	220	220
Length of supply hose/ drain hose (cm)	200/200	200/200
Door hinge (door porthole)	Left-hand	Left-hand

^{1,2} On an energy-efficiency class scale from A to G

³ Energy consumption in kWh/100 complete operating cycles (using Eco 40-60 programme)

⁴ Water consumption in litres/complete operating cycle (using Eco 40-60 programme)

⁵ Energy consumption in kWh/100 wash cycles (using Eco 40-60 programme)

⁶ Water consumption in litres/wash cycle (using Eco 40-60 programme)

⁷ Duration of Eco 40-60 programme, complete operating cycle / wash cycle

⁸ The specified value is rounded



TYPE	WASHER	WASHER	WASHER	WASHER
DESIGN FAMILY	SERIES 6	SERIES 4	SERIES 4	SERIES 4
MODEL	WGG24409GB	WGG04409GB	WAN28250GB	WAN282X2GB
KEY FEATURES				SILVER INOX
Home Connect	-	-	-	-
i-DOS detergent dosing system	-	-	-	-
Speed Perfect	•	•	•	•
Reload facility	•	•	•	•
Stain Removal system	Anti Stain (4)	-	-	-
Eco Silence Drive	•	•	•	•
Anti Vibration design	•	•	•	•
Reduced ironing option	•	•	•	-
Reduced noise option	-	-	-	-
4D Wash system	-	-	-	-
Intensive Plus	-	-	-	-
Consumption indicator	-	-	-	-
ADDITIONAL FEATURES				
Time delay	24 hours	24 hours	24 hours	24 hours
Child lock	•	•	•	•
Drum interior light	-	-	-	-
Safety	Aqua Protection	Aqua Protection	Multiple Water Protection	Multiple Water Protection
PROGRAMMES / FUNCTIONS				
Eco 40-60	•	•	•	•
Cottons	•	•	•	•
Super Quick 15/30	•	•	•	•
Hygiene Plus	•	•	•	•
Easy-care	•	•	•	•
Mixed Load	•	•	•	•
Wool	•	•	•	•
Delicates/Silk	•	•	•	•
Sportswear/ Dark Wash/ Easy Care plus/ Jeans/ Shirts and blouses	• / - / - / • / -	• / • / • / • / -	- / • / • / • / •	- / • / • / • / •
Duvet/ Down wear	• / -	-	-	-
Curtains	-	-	-	-
Towels	-	-	-	-
Auto programme	-	-	-	-
Memory programme	-	-	-	-
Drum Clean	•	•	•	•
Extra Rinse	•	•	•	•
Pre Wash	•	•	•	•
Rinse/Spin	-	-	-	-
Rinse hold	•	•	•	•
Spin/Drain	•	•	•	•
Single Rinse	•	•	•	•
Soak	•	•	-	-
Variable Temperature/Variable Spin	•	•	•	•
PERFORMANCE / TECHNICAL INFORMATION				
Energy efficiency class ¹	A	A	C	C
Load capacity (kg)	1-9	1-9	1-8	1-8
Energy ² / Water ³ (kWh / litres)	46 / 48	46 / 48	46 / 47	62 / 47
Programme duration ⁴ (h:mm)	3:48	3:48	3:33	3:26
Maximum spin speed (rpm) ⁵	1400	1400	1400	1400
Spin efficiency class	B	B	B	B
Noise level (dB(A) re 1 pW)	71	71	71	75
Noise emission class	A	A	A	B
Dimensions of the product (H x W x D) (inc. door porthole) (mm)	848 x 598 x 590 (636)	848 x 598 x 588 (632)	848 x 598 x 590 (632)	848 x 598 x 550 (600)
Door opening angle	165°	160°	171°	180°

• = Yes - = No
¹ On an energy efficiency class scale from A to G ² Energy consumption in kWh/100 operating cycles (using Eco 40-60 programme)
³ Water consumption in litres/operating cycle (using Eco 40-60 programme) ⁴ Duration of Eco 40-60 programme
⁵ The specified value is rounded. **Data valid in this table as of April 2023.** Subject to modification without prior notice.

For full specification details, please log onto our website and download a full specification sheet. 5 Year Warranty - Offer dates 01.04.23 – 31.03.24. T&C's apply. Online registration required. Selected models only.

Explore more at bosch-home.co.uk / bosch-home.ie



TYPE	WASHER	WASHER	WASHER
DESIGN FAMILY	SERIES 4	SERIES 4	SERIES 2
MODEL	WAN28282GB	WAJ28002GB	WAJ28001GB
KEY FEATURES			
Home Connect	-	-	-
i-DOS detergent dosing system	-	-	-
Speed Perfect	•	•	•
Reload facility	•	•	•
Stain Removal system	-	-	-
Eco Silence Drive	•	•	•
Anti Vibration design	•	•	•
Reduced ironing option	-	-	-
Reduced noise option	-	-	-
4D Wash system	-	-	-
Intensive Plus	-	-	-
Consumption indicator	-	-	-
ADDITIONAL FEATURES			
Time delay	24 hours	24 hours	24 hours
Child lock	•	•	•
Drum interior light	-	-	-
Safety	Multiple Water Protection	Multiple Water Protection	Multiple Water Protection
PROGRAMMES / FUNCTIONS			
Eco 40-60	•	•	•
Cottons	•	•	•
Super Quick 15/30	•	•	•
Hygiene Plus	•	•	•
Easy-care	•	•	•
Mixed Load	•	•	•
Wool	•	•	•
Delicates/Silk	•	•	•
Sportswear/ Dark Wash/ Easy Care plus/ Jeans/ Shirts and blouses	- / • / • / • / -	-	- / • / - / • / -
Duvet/ Down wear	• / -	-	-
Towels	-	-	-
Curtains	-	-	-
Auto programme	-	-	-
Memory programme	-	-	-
Drum Clean	•	-	-
Extra Rinse	•	-	-
Pre Wash	•	•	•
Rinse/Spin	-	-	-
Rinse hold	•	-	-
Spin/Drain	•	•	•
Single Rinse	•	•	•
Soak	-	-	-
Variable Temperature/Variable Spin	•	- / •	- / •
PERFORMANCE / TECHNICAL INFORMATION			
Energy efficiency class ¹	C	C	B
Load capacity (kg)	1-8	1-8	1-7
Energy ² / Water ³ (kWh / litres)	62 / 47	62 / 47	51 / 45
Programme duration ⁴ (h:mm)	3:26	3:26	3:28
Maximum spin speed (rpm) ⁵	1400	1400	1400
Spin efficiency class	B	B	B
Noise level (dB(A) re 1 pW)	75	75	75
Noise emission class	B	B	B
Dimensions of the product (H x W x D) (inc. door porthole) (mm)	848 x 598 x 550 (600)	848 x 598 x 546 (600)	848 x 598 x 546 (584)
Door opening angle	180°	140°	140°

• = Yes - = No
¹ On an energy efficiency class scale from A to G ² Energy consumption in kWh/100 operating cycles (using Eco 40-60 programme)
³ Water consumption in litres/operating cycle (using Eco 40-60 programme) ⁴ Duration of Eco 40-60 programme
⁵ The specified value is rounded. **Data valid in this table as of April 2023.** Subject to modification without prior notice.

For full specification details, please log onto our website and download a full specification sheet.

Making **life easy** through innovative technologies

Washer dryers



TYPE	WASHER DRYER	WASHER DRYER	WASHER DRYER	WASHER DRYER
DESIGN FAMILY	SERIES 8	SERIES 8	SERIES 4	SERIES 4
MODEL	WDU8H549GB	WDU8H541GB	WNA144V9GB	WNA134U8GB
KEY FEATURES	SILVER INOX	WHITE	WHITE	WHITE
Home Connect	•	•	-	-
Eco Silence Drive	•	•	•	•
Speed Perfect	•	•	•	•
Reload facility	•	•	•	•
Auto Dry function	•	•	•	•
Self cleaning condenser	•	•	•	•
ADDITIONAL FEATURES				
Time delay / Time Remaining	•	•	•	•
Child safety lock	•	•	•	•
Water protection system	Aqua Stop	Aqua Stop	Aqua Secure	Aqua Secure
PROGRAMMES				
Iron Assist	•	•	•	•
Hygiene	• (via App)	• (via App)	-	-
Hygiene Plus	-	-	-	-
Super Quick 15	•	•	•	•
Wash & Dry 60 mins	•	•	•	•
Cottons	•	•	•	•
Easy-care programme	•	•	•	•
Wool programme	•	•	•	•
Delicates/ Silk	•	•	•	•
Sportswear	•	•	•	•
Mixed Load	•	•	•	•
Towels	• (via App)	• (via App)	-	-
Shirts	• (via App)	• (via App)	-	-
Down	• (via App)	• (via App)	-	-
Intensive Dry	-	-	•	•
Gentle Dry	-	-	•	•
My Time Wash	•	•	-	-
My Time Dry	•	•	•	•
Rinse	•	•	•	•
Spin/ Drain	•	•	•	•
Memory	•	•	-	-
Drum Clean	•	•	-	-
Reduced noise wash /dry	•	•	-	-
Reduced ironing	•	•	•	•
HygieneCare	•	•	-	-
Aqua Plus/ Rinse Plus	•	•	-	-
Pre wash	•	•	•	•
Variable Temperature/ Spin	•	•	•	•
PERFORMANCE / TECHNICAL INFORMATION				
Energy efficiency class washing and drying ¹				
Energy efficiency class washing ²				
Energy ³ / Water ⁴ washing and drying (kWh / litres)	307 / 74	307 / 74	322 / 74	313 / 70
Energy ³ / Water ⁴ washing (kWh / litres)	49 / 50	49 / 50	57 / 46	63 / 41
Load capacity washing and drying / washing (kg)	1 - 6 / 1 - 10	1 - 6 / 1 - 10	1 - 5 / 1 - 9	1 - 5 / 1 - 8
Programme duration ⁵ washing and drying / washing (h:mm)	8:00 / 3:55	8:00 / 3:55	7:30 / 3:44	7:30 / 3:32
Spin efficiency class	B	B	B	B
Spin speed ⁶ (rpm)	1400	1400	1400	1400
Noise level (dB(A) re 1 pW)	70	70	70	70
Noise emission class	A	A	A	A
Dimensions of the product (H x W x D) (inc. door porthole) (mm)	848 x 598 x 616 (654)	848 x 598 x 616 (654)	848 x 598 x 590 (649)	848 x 598 x 590 (649)
Door opening angle	125°	125°	165°	165°

• = Yes - = No
^{1,2} On an energy-efficiency class scale from A to G ³ Energy consumption in kWh/100 complete operating cycles (using Eco 40-60 programme)
⁴ Water consumption in litres/complete operating cycle (using Eco 40-60 programme) ⁵ Energy consumption in kWh/100 wash cycles (using Eco 40-60 programme)
⁶ Water consumption in litres/wash cycle (using Eco 40-60 programme) ⁷ Duration of Eco 40-60 programme, complete operating cycle / wash cycle
⁸ The specified value is rounded. **Data valid in this table as of April 2023.** Subject to modification without prior notice.

For full specification details, please log onto our website and download a full specification sheet.

Explore more at [bosch-home.co.uk](https://www.bosch-home.co.uk) / [bosch-home.ie](https://www.bosch-home.ie)

Tumble dryers



Available August 2023

TYPE	DRYER	DRYER	DRYER
DESIGN FAMILY	SERIES 8	SERIES 6	SERIES 6
MODEL	WQB246C9GB	WQG245R9GB	WQG245S9GB
KEY FEATURES	WHITE	GRAPHITE	SILVER INOX
Heat Pump	•	•	•
Home Connect	•	-	-
Smart Dry	•	-	-
Iron Assist	•	-	-
Auto Clean	-	-	-
Self Cleaning Condenser	•	•	•
Easy Clean filter	-	-	-
ADDITIONAL FEATURES			
Auto Dry	•	•	•
Time delay / Time Remaining	•	•	•
Drum interior light	•	•	•
Water container full / blocked filter warning indicator	•	•	•
Child lock	•	•	•
PROGRAMMES/FUNCTIONS			
Cottons	•	•	•
Easy-care	•	•	•
Woollen Finish	• (via App)	•	•
SuperQuick 40	• (via App)	•	•
Timed programmes	•	•	•
Mixed Load	•	•	•
Sportswear	•	•	•
Towels	•	•	•
Delicates	•	•	•
Down Wear	-	•	•
Shirts and blouses	•	•	•
Hygiene Plus	•	•	•
Wool / Trainer basket	-	-	-
Memory / My Favourite	•	-	-
Shirts 15	•	-	-
End of cycle indicator	•	•	•
Low Heat option	•	•	•
Crease Guard	•	•	•
PERFORMANCE / TECHNICAL INFORMATION			
Energy efficiency class	A+++	A++	A++
Capacity cotton (kg)	9	9	9
Energy consumption annual (kWh/annum)	TBC	258	258
Condensation efficiency class	B	B	B
Condensation efficiency for standard cotton programme on full and partial load	TBC	86%	86%
Ambient temperature range	5-35°C	5-35°C	5-35°C
Noise level (dB(A) re 1pW)	59	64	64
Dimensions of the product (inc. door) (cm)	842 x 598 x 613 (652)	842 x 598 x 613 (648)	842 x 598 x 613 (648)
Door opening angle	180°	170°	180°
Door hinge position	Right-hand	Right-hand	Right-hand
Plumbing out possible?	Yes	Yes	Yes
Draining kit included?	Yes	Yes	Yes

• = Yes - = No
 The programme cotton cupboard dry used at full and partial loads is the standard drying programme to which the information on the energy label refers. This is the most efficient programme in terms of energy consumption for cotton.
 Annual consumption is based on 160 drying cycles. **Data valid in this table as of April 2023.** Subject to modification without prior notice.

For full specification details, please log onto our website and download a full specification sheet.
 5 Year Warranty - Offer dates 01.04.23 - 31.03.24. T&C's apply. Online registration required. Selected models only.

Making **life easy** through innovative technologies



TYPE	DRYER	DRYER	DRYER	DRYER
DESIGN FAMILY	SERIES 6	SERIES 6	SERIES 6	SERIES 4
MODEL	WQG24509GB	WQG233D8GB	WPG23108GB	WTH85223GB
KEY FEATURES				
Heat Pump	●	●	●	●
Home Connect	-	-	-	-
Smart Dry	-	-	-	-
Iron Assist	-	-	-	-
Auto Clean	-	-	-	-
Self Cleaning Condenser	●	-	-	-
Easy Clean filter	-	●	●	●
ADDITIONAL FEATURES				
Auto Dry	●	●	●	●
Time delay / Time Remaining	●	●	●	●
Drum interior light	●	●	●	-
Water container full / blocked filter warning indicator	●	●	●	●
Child lock	●	●	●	●
PROGRAMMES/FUNCTIONS				
Cottons	●	●	●	●
Hygiene Plus	●	●	●	-
Easy-care	●	●	●	●
Woollen Finish	●	●	●	●
Super Quick 40	●	●	●	●
Timed programmes	●	●	●	●
Mixed Load	●	●	●	●
Sportswear	●	●	●	●
Towels	●	●	●	●
Delicates	●	●	●	-
Down Wear	●	●	●	●
Shirts and blouses	●	●	-	●
Wool / Trainer basket	-	-	-	-
Memory / My Favourite	-	-	-	-
Shirts 15	-	-	-	-
End of cycle indicator	●	●	●	●
Low Heat option	●	●	●	●
Crease Guard	●	●	●	●
PERFORMANCE / TECHNICAL INFORMATION				
Energy efficiency class	A++	A+++	B	A++
Capacity cotton (kg)	9	8	8	8
Energy consumption annual (kWh/annum)	258	176	560	236
Condensation efficiency class	B	A	B	B
Condensation efficiency for standard cotton programme on full and partial load	86%	91%	88%	81%
Ambient temperature range	5-35°C	5-35°C	5-35°C	5-35°C
Noise level (dB(A) re 1pW)	64	64	64	65
Dimensions of the product (inc. door) (cm)	842 x 598 x 613 (648)	842 x 598 x 613 (648)	842 x 598 x 613 (648)	842 x 598 x 613 (665)
Door opening angle	180°	180°	175°	170°
Door hinge position	Right-hand	Right-hand	Right-hand	Right-hand
Plumbing out possible?	Yes	Yes	Yes	Yes
Draining kit included?	Yes	Yes	Yes	Yes

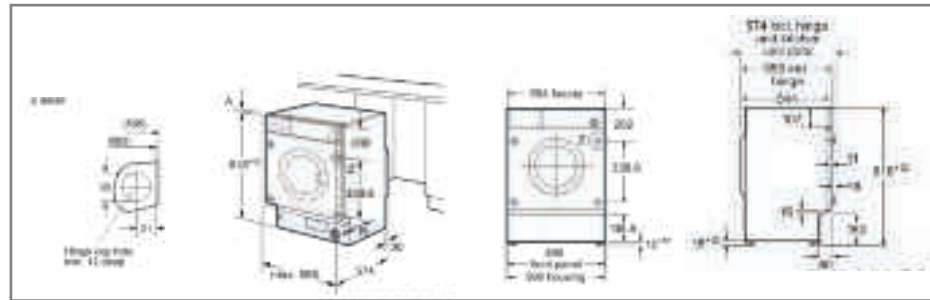
● = Yes - = No
 The programme cotton cupboard dry used at full and partial loads is the standard drying programme to which the information on the energy label refers. This is the most efficient programme in terms of energy consumption for cotton. Annual consumption is based on 160 drying cycles. **Data valid in this table as of April 2023.** Subject to modification without prior notice.

TYPE	DRYER	DRYER	DRYER
DESIGN FAMILY	SERIES 4	SERIES 4	SERIES 4
MODEL	WTH84001GB	WTN83203GB	WTN83202GB
KEY FEATURES			
Heat Pump	●	-	-
Home Connect	-	-	-
Smart Dry	-	-	-
Iron Assist	-	-	-
Auto Clean	-	-	-
Self Cleaning Condenser	-	-	-
Easy Clean filter	●	●	●
ADDITIONAL FEATURES			
Auto Dry	●	●	●
Time delay / Time Remaining	●	●	●
Drum interior light	-	-	-
Water container full / blocked filter warning indicator	●	●	●
Child lock	●	●	●
PROGRAMMES/FUNCTIONS			
Cottons	●	●	●
Hygiene Plus	-	-	●
Easy-care	●	●	●
Woollen Finish	-	-	-
SuperQuick 40	●	●	●
Timed programmes	●	●	●
Mixed Load	●	●	●
Sportswear	●	●	●
Towels	●	-	-
Delicates	●	-	-
Down Wear	-	-	-
Shirts and blouses	●	●	●
Wool / Trainer basket	-	-	-
Memory / My Favourite	-	-	-
Shirts 15	-	●	●
End of cycle indicator	●	●	●
Low Heat option	●	-	-
Crease Guard	●	●	●
PERFORMANCE / TECHNICAL INFORMATION			
Energy efficiency class	A+	B	B
Capacity cotton (kg)	8	8	8
Energy consumption annual (kWh/annum)	270	270	560
Condensation efficiency class	B	B	B
Condensation efficiency for standard cotton programme on full and partial load	81%	81%	88%
Ambient temperature range	5-35°C	5-35°C	5-35°C
Noise level (dB(A) re 1pW)	65	65	65
Dimensions of the product (inc. door) (cm)	842 x 598 x 613 (665)	842 x 598 x 613 (665)	842 x 598 x 599 (651)
Door opening angle	170°	175°	175°
Door hinge position	Right-hand	Right-hand	Right-hand
Plumbing out possible?	Yes	Yes	Yes
Draining kit included?	Yes	Yes	Yes

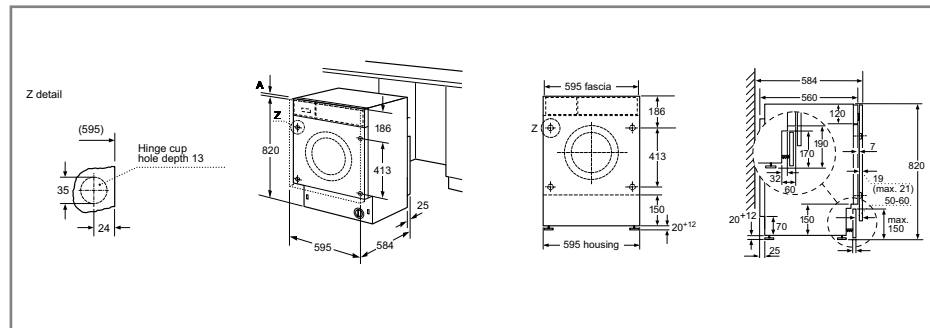
● = Yes - = No
 The programme cotton cupboard dry used at full and partial loads is the standard drying programme to which the information on the energy label refers. This is the most efficient programme in terms of energy consumption for cotton. Annual consumption is based on 160 drying cycles. **Data valid in this table as of April 2023.** Subject to modification without prior notice.

Built-in home laundry technical diagrams

Washing machines and washer dryers





WIW28502GB, WIW28302GB



WKD28543GB, WKD28352GB

Built-in home laundry accessories








Description	Accessory Nr.	WIW28501GB	WIW28301GB	WKD28542GB	WKD28352GB
 Extension for cold water inlet/Aquastop	WMZ2380	-	-	•	•
 Height adjustable feet	WMZ20441	•	•	-	-


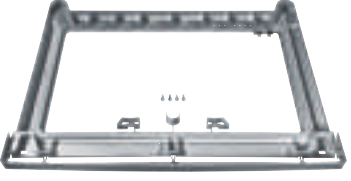


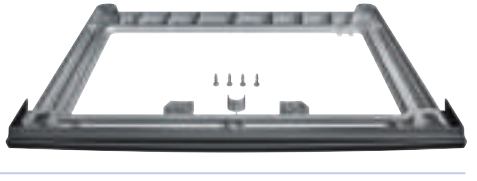
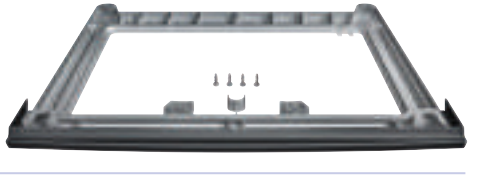
Freestanding stacking kit compatibility

DESCRIPTION	Accessory Nr.	WQB246C9GB	WQG245R9GB	WQG245S9GB	WQG24509GB	WQG233D8GB
Stacking kit	WTZ20410	-	-	-	•	-
Stacking kit with pull-out shelf	WTZ11400	-	-	-	•	•
Stacking kit	WTZ27410	-	-	-	•	•
Stacking kit with pull-out shelf	WTZ27400	-	-	-	•	•
Condenser drainage kit	WTZ1110	-	-	-	-	-
Floor securing component	WMZ2200	-	-	-	-	-
Extension for cold water inlet/AquaStop	WMZ2381	-	-	-	-	-
Built under cover	WMZ2420	-	-	-	-	-
Stacking kit	WTZ2741X	-	-	•	-	-
Stacking kit with pull-out shelf	WTZ2742X	-	-	•	-	-
Stacking kit	WTZ27510	•	-	-	-	-
Stacking kit with pull-out shelf	WTZ27500	•	-	-	-	-
Stacking kit	WTZ2741C	-	•	-	-	-

DESCRIPTION	Accessory Nr.	WPG23108GB	WTH85223GB	WTN83203GB	WTH84001GB	WTN83202GB
Stacking kit	WTZ20410	•	•	•	•	•
Stacking kit with pull-out shelf	WTZ11400	•	•	•	•	•
Stacking kit	WTZ27410	-	-	-	-	-
Stacking kit with pull-out shelf	WTZ27400	-	-	-	-	-
Condenser drainage kit	WTZ1110	-	-	-	-	-
Floor securing component	WMZ2200	-	-	-	-	-
Extension for cold water inlet/AquaStop	WMZ2381	-	-	-	-	-
Built under cover	WMZ2420	-	-	-	-	-
Stacking kit	WTZ2741X	-	-	-	-	-
Stacking kit with pull-out shelf	WTZ2742X	-	-	-	-	-
Stacking kit	WTZ27510	-	-	-	-	-
Stacking kit with pull-out shelf	WTZ27500	-	-	-	-	-
Stacking kit	WTZ2741C	-	-	-	-	-

Freestanding accessories

LAUNDRY ACCESSORIES	Image	Model
Stacking kit		WTZ20410
Stacking kit (pull-out shelf)		WTZ11400
Stacking kit		WTZ27410
Stacking kit (pull-out shelf)		WTZ27400
Condenser drainage kit		WTZ1110
Floor securing component		WMZ2200
Extension for cold water inlet/ AquaStop		WMZ2381

LAUNDRY ACCESSORIES	Image	Model
Built under cover		WMZ2420
Stacking kit		WTZ2741X
Stacking kit with pull-out shelf		WTZ2742X
Stacking kit		WTZ27510
Stacking kit with pull-out shelf	TBC	TBC
Stacking kit		WTZ27500
Stacking kit		WTZ2741C

Introducing the Bosch dishwasher range

TO FIND OUT MORE ABOUT OUR BOSCH DISHWASHER RANGE, PLEASE SCAN THE QR CODE BELOW:



Our built-in and freestanding dishwashers offer a range of advanced technologies and additional options across the range to suit your individual requirements. To help you choose the right Bosch dishwasher, we have divided them into the four ranges below.



Model shown for illustrative purposes only.

Series 8

Our **Series 8** range combines cutting-edge design and advanced technology. The **PerfectDry** function absorbs moisture before releasing it as hot air for energy-efficient drying. Exceptionally quiet, offering additional storage and flexible loading solutions our **Series 8** dishwasher is a perfect solution for busy households.

Series 6

Our **Series 6** range comes packed with technology, from energy and water-saving modes to quick washes for when time is at a premium. They also feature our clever **PerfectDry** technology and handy features such as **Max Flex** baskets, **Extra Space 3rd Basket**, **Extra Clean Zone** and **Efficient Dry**.

Series 4

Our **Series 4** range of models offers great value for money but does not compromise on Bosch build quality. They combine advanced energy and resource saving features. In addition, they offer **Flex** baskets and **Max Flex** baskets with foldable racks in the top and bottom baskets.

Series 2

Our **Series 2** dishwashers offer you the classic design with easy operation. They are the optimal solution for anyone who wants a reliable appliance with good value for money.

Drying options.



The dish dryer among dishwashers.

A clever function that dries everything to perfection. And we do mean everything – plates, pans, glasses and all plastic items. Everything will be completely clean and perfectly dry, so you'll never have to pick up a tea towel to finish the job again.

The technology behind **PerfectDry** (unique to Bosch), is called **Zeolith**®. It is a process applied to every cycle that uses naturally occurring minerals, that heat up when they come into contact with water. Clever **Zeolith**® beads transform humidity into warm air that speeds up the drying process. The warm air is then distributed evenly over the load.

So when you need a wash with brilliant drying results, it's time to choose Bosch.

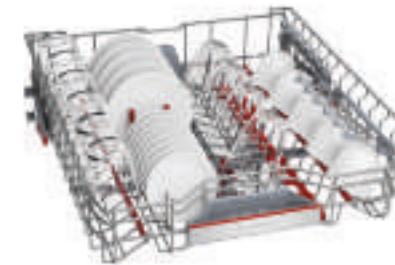


Want your dishes extra dry? No problem. This function gives you even more drying power when you need it. Just choose the Extra Dry option and more heat will be created to extend your load's drying cycle.



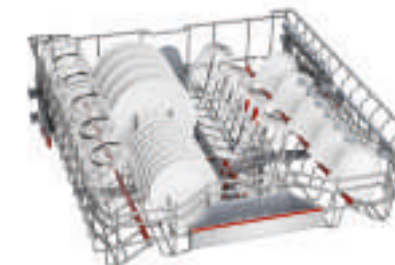
Automatically opens your dishwasher door, offering better drying results compared to a closed door (after 30 minutes). Select this feature via the Home Connect app, available on all programmes except pre-rinse and machine care.

Choose the right basket flexibility options for your dishwashing needs.



Max Flex Pro

Stainless steel fascias.
Colour touch points as standard.
Top rack flexible areas: 6
Bottom basket flexible areas: 8



Max Flex

Brand coloured plastic fascias.
Options with and without colour touch points. Top rack flexible areas: 2
Bottom basket flexible areas: 6



Flex

Grey plastic fascias.
Top rack flexible areas: 2
Bottom basket flexible areas: 2

Get more with Home Connect

Available on all dishwashers

To stay at their best, different dishes and glassware need to be washed in different ways. With the Bosch Home Connect app, simply tell your dishwasher what's in the load and it'll work out the perfect programme. Use your voice to start your dishwasher or even find out how long before your dishes are ready. You can even link your Home Connect-enabled dishwasher with the Smart Finish auto-replenishment service to ensure you never run out of dishwasher tablets again.

TO FIND OUT MORE ABOUT HOME CONNECT FEATURES, PLEASE SCAN THE QR CODE BELOW:



Speed & Silence On Demand Intelligent Programme

Use your Home Connect app or Alexa to tell your dishwasher to be quiet or faster. Your dishwasher personalised to your needs.

Our new intelligent programme adapts itself for your maximum satisfaction. After 3 cycles, you will be prompted to leave your feedback on the cleanliness, drying or length of the programme, or you can do so manually after every cycle.

Programme Assistant

Use Programme Assistant to tell your dishwasher what it's washing and how you want it cleaned. Home Connect will then recommend the ideal programme, ensuring the optimum amount of water and energy is used every time.



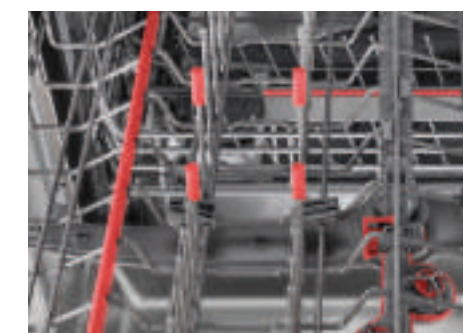
Extra Space 3rd basket

New top basket providing more loading space for small kitchen items. With sliding elements and a removable knife inlay, the Extra Space 3rd basket offers more space than ever.



Extra Clean Zone

Extra thorough cleaning for heavily soiled items in the upper basket. This intensive zone doesn't need higher temperatures, it uses 3 jets to clean those stubborn items. So no more pre-soaking before going into the dishwasher!



Glassware support with smooth gliding baskets

New anti-slip elements and stemware support within the upper basket will give extra protection to all glassware. Baskets will glide effortlessly along the internal brackets, thanks to our new pull out systems.

Available sizes:



60cm



45cm



Compact

TO FIND OUT MORE ABOUT OUR FREESTANDING DISHWASHER RANGE, PLEASE SCAN THE QR CODE BELOW:



Available sizes:



60cm



45cm

TO FIND OUT MORE ABOUT OUR BUILT-IN DISHWASHER RANGE, PLEASE SCAN THE QR CODE:



Vario Hinge.

The innovative Vario Hinge system is the optimal solution for challenging built-in dishwashers. In kitchens with a low plinth (<90mm) and extra long furniture fronts, the door and appliances might collide into each other. With Vario Hinge, the furniture front slides up so the door opens perfectly without collision. This ensures perfect design of a fully integrated kitchen. Vario Hinge is available in Series 4, in 81.5cm height.



Different types of control.

Series 8



TFT Display with top edge touch control

Series 6



LED Display with top edge button control



LED Display with touch control

Series 4



LED Display with button control

Series 2



LED Display with toggle control

Different types of control.



Grey touch control with LCD display



Grey touch control with LED display



Stainless steel push button control with LED display



Black toggle control with LED display

Dishwasher functions explained.

Check model for available functions.



Extra Dry

Want your dishes extra dry? No problem. This function gives you even more drying power when you need it. Just choose the Extra Dry option and more heat will be created to extend your load's drying cycle.



PerfectDry

PerfectDry uses Zeolith® technology that's applied to every cycle, which uses minerals that heat up when they come in contact with water. This clever function dries everything to perfection – from plates and pans to all plastic items.



Efficient Dry

Efficient Dry automatically opens your dishwasher door, offering better drying results compared to a closed door (after 30 minutes). Select this feature via the Home Connect app, available on all programmes except pre-rinse and machine care.



SpeedPerfect+

Our SpeedPerfect+ option reduces programme times without compromising on quality. So you still get hygienically clean and dry dishes but the duration of the cycle* could be reduced by up to half the time – ideal for busy households and entertaining.

*Except: Prewash, Express 45° and Express 65° programme.



Place Settings

A selection of our dishwashers will hold up to 14 place settings in one load – perfect for larger households.



Self-cleaning filters

Self-cleaning filter system, with spray arms designed to direct water at the filters on every rotation.

Please note, self-cleaning filters are designed to keep filters clear during the washing cycle. Regular filter cleaning and maintenance is still recommended.



Dosage Assist

Get the most out of your detergent with Dosage Assist; a small area at the front of the top basket that catches the tablet when it's released during the cycle. It controls how the tablet is dissolved for optimum performance.



Duo Power

Our 45cm models feature a twin spray arm in the top basket to ensure perfect water coverage every time.



Active Water

Save water with every load and only use the right amount of water needed for each load.



Time Light

Bosch dishwashers are so quiet sometimes it's hard to tell whether they are on or off, especially on fully-integrated models where there is no visible control panel. The Time Light indicates the programme status and time remaining onto any floor surface.



Info Light

Coloured light beam projects onto the floor when the machine cycle is started, and turns off when finished.



Emotion Light

Lights up the dishwasher cavity with 2 white LED lights.



Door Open Assist

With Open Assist you can open fully integrated dishwashers by simply touching the front of the unit. This partially opens the door, making it easy to load and unload the dishwasher. The handle-free dishwasher door is the optimal choice for modern design kitchens with matching-style unit fronts. Activate the electronic child lock for the door to make this a double push to open.

Machine care.

Your dishwasher will help look after itself with this smart function. Optimising the water and energy consumption, it works on a short run time of 80-90 minutes at high temperatures. It eliminates lime and grease deposits inside the dishwasher and works with a standard machine-care detergent. On selected Series 8 and Series 6 models, it will even remind you to run the programme every 30 cycles.

Whisper quiet washing.

Bosch dishwashers are amongst the quietest in the world. With the revolutionary **Eco Silence Drive™** there are dishwashers in the range which operate as low as 40 decibels, when the Silence programme is selected.

10 year anti-rust warranty.

Our appliances are made from top quality materials and in addition to our standard appliance warranty, we provide a free of charge warranty against rusting-through of the dishwasher's inner cavity.



This model is phasing out in September and the replacement model will be SMD6YCX01G.

FULLY INTEGRATED 60CM					
TYPE	SERIES 8	SERIES 6	SERIES 6	SERIES 6	SERIES 6
DESIGN FAMILY	SERIES 8	SERIES 6	SERIES 6	SERIES 6	SERIES 6
MODEL NUMBER	SMD8YCX02G	SMD6TCX00G	SMD6ZCX60G	SMD6EDX57G	SMV6ZCX01G
Control panel colour	Grey	Stainless steel	Grey	Grey	Stainless steel
Height (cm) / Hinge type	81.5 / Fixed	81.5 / Fixed	81.5 / Fixed	81.5 / Fixed	81.5 / Fixed
DESIGN FEATURES					
Drying system	PerfectDry Zeolith / Efficient Dry	PerfectDry Zeolith [®] / Efficient Dry	PerfectDry Zeolith [®]	Heat exchanger / Efficient Dry	PerfectDry Zeolith [®]
Home Connect	●	●	●	●	●
Control panel type	Touch control + TFT	Push buttons + LED	Touch control + LED	Touch control + LED	Push buttons + LED
Basket description	Max Flex Pro	Flex	Max Flex	Max Flex	Flex
Vario Drawer / Extra Space 3rd Basket (3rd loading level)	Vario Drawer	Vario Drawer	Vario Drawer	Extra Space 3rd Basket	Vario Drawer
Extra Clean Zone	●	-	●	●	-
Status indicator	Time Light (White)	Time Light (White)	Time Light (White)	Time Light (White)	Time Light (White)
Door open assist	●	●	●	●	●
Glass care technology	●	●	●	●	●
Anti-slip protection and stemware support upper basket	●	●	●	●	●
Adjustable upper basket	3-stage Rackmatic™	3-stage Rackmatic™	3-stage Rackmatic™	2-stage Rackmatic™	3-stage Rackmatic™
Number of flip lines in upper / lower basket	6 / 8	2 / 2	2 / 6	2 / 6	2 / 2
Cup shelves upper / lower baskets	2 / 2	2 / 2	2 / 2	2 / 2	2 / 2
Cutlery holder lower basket	-	-	-	●	-
Largest loadable dish upper / lower basket (cm)	21 / 31	21 / 31	21 / 31	21 / 27.5	21 / 31
Load / Aqua sensor	●	●	●	●	●
Real-time clock	●	-	-	-	-
Start delay time max hours	24	24	24	24	24
Emotion light (interior lighting)	●	-	-	-	-
End of cycle indicator	Acoustic	Acoustic	Acoustic	Acoustic	Acoustic
Salt / Rinse aid light indicator	● / ●	● / ●	● / ●	● / ●	● / ●
Self cleaning filter system	●	●	●	●	●
Flood protection system	Aqua Stop 24h	Aqua Stop 24h	Aqua Stop 24h	Aqua Stop 24h	Aqua Stop 24h
Safety features	Door lock	Door lock	Door lock	Door lock	Door lock
PROGRAMMES / FUNCTIONS					
List of programmes	Eco 50°C, Intensive 70°C, Auto 45-65°C, Intelligent 40°C, Express 60°C, Glass 40°C, Silence 50°C, Favourite, Machine Care	Eco 50°C, Intensive 70°C, Auto 45-65°C, Express 60°C, Silence 50°C, Favourite, Machine Care	Eco 50°C, Intensive 70°C, Auto 45-65°C, Express 60°C, Glass 40°C, Silence 50°C, Favourite, Machine Care	Eco 50°C, Intensive 70°C, Glass 40°C, Auto 45-65°C, Express 65°C, Silence 50°C, Favourite, Machine Care	Eco 50°C, Intensive 70°C, Express 60°C, Auto 45-65°C, Silence 50°C, Favourite, Machine Care
Additional special options	Remote Start, Extra Dry, Intensive Zone, Hygiene+, SpeedPerfect+	Remote Start, Extra Dry, Half Load, SpeedPerfect+	Remote Start, Extra Dry, Intensive Zone, SpeedPerfect+	Remote Start, Extra Dry, Intensive Zone, SpeedPerfect+	Remote Start, Extra Dry, Half Load, SpeedPerfect+
TECHNICAL SPECIFICATIONS					
Reference programme for measurements	Eco 50°C	Eco 50°C	Eco 50°C	Eco 50°C	Eco 50°C
Energy efficiency class ¹	A B	A	C	D	C
Energy ² / water ³ : kWh / litres	65 / 9.5	54 / 9.5	74 / 7.7	84 / 9.5	75 / 9.5
Load capacity (place settings)	14	14	13	13	14
Programme duration ⁴ : h:min	3:55	4:55	3:45	4:35	3:55
Noise level: dB (A) re 1 pW	43	44	44	42	44
Noise efficiency class	B	B	B	B	B
Noise level (silence programme): dB (A) re 1 pW	41	42	42	39	42
Length of electrical supply cord (cm)	175	175	175	175	175
Length inlet / outlet hose (cm)	165 / 190	165 / 190	165 / 190	150 / 190	165 / 190
Maximum height for installation (mm)	875	875	875	875	875
Maximum height adjustability feet (mm)	60	60	60	60	60
Maximum width for installation (mm)	600	600	600	600	600
Width / Depth of the product (mm)	598 / 550	598 / 550	598 / 550	598 / 550	598 / 550
Net weight / Gross weight (kg)	45 / 47	43 / 45	43 / 45	44 / 46	46 / 48
Water softener ⁵	●	●	●	●	●
Maximum accepted water hardness (°DH)	50	50	50	50	50
Maximum temperature for water intake (°C)	60	60	60	60	60
Interior cavity	Stainless steel	Stainless steel	Stainless steel	Stainless steel	Stainless steel
Included accessories	Large item spray head, steam protection plate	Steam protection plate	Large item spray head, steam protection plate	Large item spray head, steam protection plate	Large item spray head, steam protection plate

● Yes, model has this feature - No, model does not have this feature

¹ On an energy-efficiency class scale from A to G

² Energy consumption in kWh/100 operating cycles (using Eco programme)

³ Water consumption in litres/operating cycle (using Eco programme)

⁴ Duration of Eco programme

⁵ We would recommend our dishwashers are connected to the mains water supply where possible. However, they may also be connected to an external water softener as long as the water softener produces softened water of less than 1.1 mmol/litre (7.0°e) and the water softener in the appliance is turned off. Please contact product advice for further information. Water pressure required: 0.5-10 Bar. Flow rate: 10 litres per minute. Inlet valve connected directly to ¾" screwed joint.

5 year warranty - Offer dates 01.04.23 - 31.03.24. T&C's apply. Online registration required. Selected models only.

Data valid in this table as of April 2023. Subject to modification without prior notice.



FULLY INTEGRATED 60CM				
SERIES 4	SERIES 4	SERIES 4	SERIES 4	SERIES 4
MODEL NUMBER	SERIES 4	SERIES 4	SERIES 4	SERIES 4
MODEL NUMBER	SMV4HCX40G	SMV4HAX40G	SBH4HVX31G	SMH4HVX32G
MODEL NUMBER	SMV4HVX38G			
Control panel colour	Stainless steel	Stainless steel	Stainless steel	Stainless steel
Height (cm) / Hinge type	81.5 / Fixed	81.5 / Fixed	86.5 / Vario Hinge	81.5 / Vario Hinge
Control panel colour	Stainless steel	Stainless steel	Stainless steel	Stainless steel
Height (cm) / Hinge type	81.5 / Fixed	81.5 / Fixed	86.5 / Vario Hinge	81.5 / Fixed
DESIGN FEATURES				
Drying system	Heat exchanger	Heat exchanger	Heat exchanger	Heat exchanger
Home Connect	●	●	●	●
Control panel type	Push buttons + LED	Push buttons + LED	Push buttons + LED	Push buttons + LED
Basket description	Flex	Flex	Vario Flex	Vario Flex
Vario Drawer / Extra Space 3rd Basket (3rd loading level)	Vario Drawer	-	Vario Drawer	Vario Drawer
Extra Clean Zone	-	-	-	-
Status indicator	Info Light (Red)	Info Light (Red)	Info Light (Red)	Info Light (Red)
Door open assist	-	-	-	-
Glass care technology	-	-	-	-
Anti-slip protection and stemware support upper basket	-	-	-	-
Adjustable upper basket	3-stage Rackmatic™	3-stage Rackmatic™	3-stage Rackmatic™	3-stage Rackmatic™
Number of flip lines in upper / lower basket	2 / 2	2 / 2	2 / 4	2 / 4
Cup shelves upper / lower baskets	2 / 2	2 / -	2 / -	2 / -
Cutlery holder lower basket	-	●	-	-
Largest loadable dish upper / lower basket (cm)	21 / 31	27 / 31	23 / 24	21 / 31
Load / Aqua sensor	●	●	●	●
Real-time clock	-	-	-	-
Start delay time max hours	24	24	24	24
Emotion light (interior lighting)	-	-	-	-
End of cycle indicator	Acoustic	Acoustic	Acoustic	Acoustic
Salt / Rinse aid light indicator	● / ●	● / ●	● / ●	● / ●
Self cleaning filter system	●	●	●	●
Flood protection system	Aqua Stop 24h	Aqua Stop 24h	Aqua Stop 24h	Aqua Stop 24h
Safety features	Door lock	Door lock	Door lock	Door lock
PROGRAMMES / FUNCTIONS				
List of programmes	Eco 50°C, Intensive 70°C, Auto 45-65°C, Express 65°C, Silence 50°C, Favourite, Machine Care	Eco 50°C, Intensive 70°C, Auto 45-65°C, Express 65°C, Silence 50°C, Favourite, Machine Care	Eco 50°C, Intensive 70°C, Auto 45-65°C, Express 65°C, Silence 50°C, Favourite, Machine Care	Eco 50°C, Intensive 70°C, Auto 45-65°C, Express 65°C, Glass 40°C, Auto 45-65°C, Express 65°C, Silence 50°C, Favourite, Machine Care
Additional special options	Remote Start, Extra Dry, Half Load, SpeedPerfect+	Remote Start, Extra Dry, Half Load, SpeedPerfect+	Remote Start, Extra Dry, Half Load, SpeedPerfect+	Remote Start, Extra Dry, Hygiene+, SpeedPerfect+
TECHNICAL SPECIFICATIONS				
Reference programme for measurements	Eco 50°C	Eco 50°C	Eco 50°C	Eco 50°C
Energy efficiency class ¹	D	D	E	E
Energy ² / water ³ : kWh / litres	85 / 9.5	84 / 9.5	94 / 9.5	94 / 9.5
Load capacity (place settings)	14	13	13	13
Programme duration ⁴ : h:min	4:55	4:55	3:45	3:45
Noise level: dB (A) re 1 pW	46	46	46	46
Noise efficiency class	C	C	C	C
Noise level (silence programme): dB (A) re 1 pW	43	42	44	-
Length of electrical supply cord (cm)	175	175	175	175
Length inlet / outlet hose (cm)	165 / 190	165 / 190	165 / 190	165 / 190
Maximum height for installation (mm)	875	875	925	875
Maximum height adjustability feet (mm)	60	60	60	60
Maximum width for installation (mm)	600	600	600	600
Width / Depth of the product (mm)	598 / 550	598 / 550	598 / 550	598 / 550
Net weight / Gross weight (kg)	35 / 37	34 / 36	36 / 38	37 / 39
Water softener ⁵	●	●	●	●
Maximum accepted water hardness (°DH)	50	50	50	50
Maximum temperature for water intake (°C)	60	60	60	60
Interior cavity	Stainless steel	Stainless steel	Stainless steel / Polinox base	Stainless steel / Polinox base
Included accessories	Large item spray head, Steam protection plate	Large item spray head, Steam protection plate	Large item spray head, Steam protection plate	Large item spray head, Steam protection plate

● Yes, model has this feature - No, model does not have this feature

¹ On an energy-efficiency class scale from A to G

² Energy consumption in kWh/100 operating cycles (using Eco programme)

³ Water consumption in litres/operating cycle (using Eco programme)

⁴ Duration of Eco programme

⁵ We would recommend our dishwashers are connected to the mains water supply where possible. However, they may also be connected to an external water softener as long as the water softener produces softened water of less than 1.1 mmol/litre (7.0°e) and the water softener in the appliance is turned off. Please contact product advice for further information. Water pressure required: 0.5-10 Bar. Flow rate: 10 litres per minute. Inlet valve connected directly to ¾" screwed joint.

Data valid in this table as of April 2023. Subject to modification without prior notice.

60cm dishwashers



TYPE	FULLY INTEGRATED 60CM	FULLY INTEGRATED 60CM	SEMI INTEGRATED 60CM	SEMI INTEGRATED 60CM
DESIGN FAMILY	SERIES 4		SERIES 2	
MODEL NUMBER	SMV4HTX27G	SMV2ITX18G	SMI2ITS33G	SMI2ITB33G
Control panel	Stainless steel	Black	Black	Black
Height (cm) / Hinge type	81.5 / Fixed	81.5 / Fixed	81.5 / Fixed	81.5 / Fixed
DESIGN FEATURES				
Drying system	Heat exchanger	Inherent heat	Inherent heat	Inherent heat
Home Connect	●	●	●	●
Control panel type	Push buttons + LED	Toggle control	Toggle control	Toggle control
Basket description	Vario Flex	Normal	Vario	Vario
Vario Drawer / Extra Space 3rd Basket (3rd loading level)	-	-	-	-
Extra Clean Zone	-	-	-	-
Status indicator	Info Light (Red)	Info Light (Red)	-	-
Door open assist	-	-	-	-
Glass care technology	●	●	●	●
Anti-slip protection and stemware support upper basket	-	-	-	-
Adjustable upper basket	3-stage Rackmatic™	-	Adjustable when empty	Adjustable when empty
Number of flip times in upper / lower basket	2 / 4	-	- / 2	-
Cup shelves upper / lower baskets	2 / -	2 / -	-	2 / -
Cutlery holder lower basket	●	●	●	●
Largest loadable dish upper / lower basket (cm)	27 / 31	27 / 31	27 / 31	27 / 31
Load / Aqua sensor	●	●	●	●
Real-time clock	-	-	-	-
Start delay time max hours	24	9	24	24
Emotion light (interior lighting)	-	-	-	-
End of cycle indicator	Acoustic	Acoustic	Acoustic	Acoustic
Salt / Rinse aid light indicator	● / ●	● / ●	● / ●	● / ●
Self cleaning filter system	●	●	●	●
Flood protection system	Aqua Stop 24h	Aqua Stop 24h	Aqua Stop 24h	Aqua Stop 24h
Safety features	Door lock	Door lock	Door lock	Door lock
PROGRAMMES / FUNCTIONS				
List of programmes	Eco 50°C, Intensive 70°C, Glass 40°C, Favourite, Auto 45-65°C, Express 65°C, Machine Care	Eco 50°C, Intensive 70°C, Auto 45-65°C, Favourite, Express 65°C, Machine Care	Eco 50°C, Intensive 70°C, Auto 45-65°C, Favourite, Express 65°C, Machine Care	Eco 50°C, Intensive 70°C, Favourite, Auto 45-65°C, Express 65°C, Machine Care
Additional operational options	Extra Dry, Hygiene+, SpeedPerfect+	Extra Dry, Half Load, SpeedPerfect	Remote Start, Extra Dry, Half Load	Remote Start, Extra Dry, Half Load
TECHNICAL SPECIFICATIONS				
Reference programme for measurements	Eco 50°C	Eco 50°C	Eco 50°C	Eco 50°C
Energy efficiency class ¹				
Energy ² / water ³ : kWh / litres	92 / 9.5	92 / 10.5	92 / 10.5	92 / 10.5
Load capacity (place settings)	12	12	12	12
Programme duration ⁴ : h:min	3:45	4:30	4:30	4:30
Noise level: dB (A) re 1 pW	48	48	48	48
Noise efficiency class	C	C	C	C
Noise level (silence programme): dB (A) re 1 pW	-	-	-	-
Length of electrical supply cord (cm)	175	175	175	175
Length inlet / outlet hose (cm)	165 / 190	165 / 190	165 / 190	165 / 190
Maximum height for installation (mm)	875	875	875	875
Maximum height adjustability feet (mm)	60	60	60	60
Maximum width for installation (mm)	600	600	600	600
Width / Depth of the product (mm)	598 / 550	598 / 550	598 / 550	598 / 550
Net weight / Gross weight (kg)	33 / 35	31 / 33	31 / 34	31 / 34
Water softener ⁵	●	●	●	●
Maximum accepted water hardness (°DH)	50	35	35	35
Maximum temperature for water intake (°C)	60	60	60	60
Interior cavity	Stainless steel / Polinox base	Stainless steel / Polinox base	Stainless steel / Polinox base	Stainless steel / Polinox base
Included accessories	Large item spray head, Steam protection plate	Large item spray head, Steam protection plate	Large item spray head, Steam protection plate	Large item spray head, Steam protection plate

● Yes, model has this feature - No, model does not have this feature

¹ On an energy efficiency class scale from A to G

² Energy consumption in kWh/100 operating cycles (using Eco programme)

³ Water consumption in litres/operating cycle (using Eco programme)

⁴ Duration of Eco programme

⁵ We would recommend our dishwashers are connected to the mains water supply where possible. However, they may also be connected to an external water softener as long as the water softener produces softened water of less than 1.1 mmo/litre (7.0°e) and the water softener in the appliance is turned off. Please contact product advice for further information. Water pressure required: 0.5-10 Bar. Flow rate: 10 litres per minute. Inlet valve connected directly to ¾" screwed joint.

Data valid in this table as of April 2023. Subject to modification without prior notice.

45cm dishwashers



TYPE	FULLY INTEGRATED 45CM	FULLY INTEGRATED 45CM
DESIGN FAMILY	SERIES 4	
MODEL NUMBER	SPV4EMX21G	SPV2HKK39G
Control panel	Stainless steel	Black
Height (cm) / Hinge type	81.5 / Fixed	81.5 / Fixed
DESIGN FEATURES		
Drying system	Heat exchanger/Efficient Dry	Heat exchanger
Home Connect	●	●
Control panel type	Push buttons + LED	Toggle control + LED
Basket description	Vario Flex	Vario
Vario Drawer / Extra Space 3rd Basket (3rd loading level)	Vario Drawer	-
Extra Clean Zone	-	-
Status indicator	Time Light (White)	Info Light (Red)
Door open assist	-	-
Glass care technology	●	●
Anti-slip protection and stemware support upper basket	-	-
Adjustable upper basket	3-stage Rackmatic™	Adjustable when empty
Number of flip times in upper / lower basket	2 / 2	- / 2
Cup shelves upper / lower baskets	1 / 1	1 / -
Cutlery holder lower basket	-	●
Largest loadable dish upper / lower basket (cm)	21 / 31	27 / 31
Load / Aqua sensor	●	●
Real-time clock	-	-
Start delay time max hours	24	9
Emotion light (interior lighting)	-	-
End of cycle indicator	Acoustic	Acoustic
Salt / Rinse aid light indicator	● / ●	● / ●
Self cleaning filter system	●	●
Flood protection system	Aqua Stop 24h	Aqua Stop 24h
Safety features	Door lock	Door lock
PROGRAMMES / FUNCTIONS		
List of programmes	Eco 50°C, Intensive 70°C, Auto 45-65°C, Express 65°C, Silence 50°C, Favourite, Machine Care	Eco 50°C, Intensive 70°C, Auto 45-65°C, Express 65°C, Favourite, Machine Care
Additional operational options	Remote Start, EfficientDry, Intensive Zone, SpeedPerfect+	Remote Start, Extra Dry, SpeedPerfect+
TECHNICAL SPECIFICATIONS		
Reference programme for measurements	Eco 50°C	Eco 50°C
Energy efficiency class ¹		
Energy ² / water ³ : kWh / litres	67 / 9.5	70 / 8.5
Load capacity (place settings)	10	9
Programme duration ⁴ : h:min	3:30	3:40
Noise level: dB (A) re 1 pW	45	48
Noise efficiency class	C	C
Noise level (silence programme): dB (A) re 1 pW	42	-
Length of electrical supply cord (cm)	175	175
Length inlet / outlet hose (cm)	165 / 205	165 / 205
Maximum height for installation (mm)	875	875
Maximum height adjustability feet (mm)	60	60
Maximum width for installation (mm)	450	450
Width / Depth of the product (mm)	448 / 550	448 / 550
Net weight / Gross weight (kg)	30 / 32	30 / 32
Water softener ⁵	●	●
Maximum accepted water hardness (°DH)	50	35
Maximum temperature for water intake (°C)	60	60
Interior cavity	Stainless steel	Stainless steel
Included accessories	Large item spray head, Steam protection plate	Large item spray head, Steam protection plate

● Yes, model has this feature - No, model does not have this feature

¹ On an energy efficiency class scale from A to G

² Energy consumption in kWh/100 operating cycles (using Eco programme)

³ Water consumption in litres/operating cycle (using Eco programme)

⁴ Duration of Eco programme

⁵ We would recommend our dishwashers are connected to the mains water supply where possible. However, they may also be connected to an external water softener as long as the water softener produces softened water of less than 1.1 mmo/litre (7.0°e) and the water softener in the appliance is turned off. Please contact product advice for further information. Water pressure required: 0.5-10 Bar. Flow rate: 10 litres per minute. Inlet valve connected directly to ¾" screwed joint.

Data valid in this table as of April 2023. Subject to modification without prior notice.



60CM DISHWASHERS					
DESIGN FAMILY	SERIES 8	SERIES 6	SERIES 6	SERIES 6	SERIES 6
MODEL	SMS8YCI03E	SMS6TCI00E	SMS6ZDW48G	SMS6EDI02G	SMS6EDW02G
Colour	Silver Inox	Silver Inox	White	Silver Inox	White
DESIGN FEATURES					
Drying system	PerfectDry Zeolith / Efficient Dry	PerfectDry Zeolith / Efficient Dry	PerfectDry Zeolith	Heat exchanger / Efficient Dry	Heat exchanger / Efficient Dry
Home Connect	●	●	●	●	●
Control panel type	Top edge touch control	Front touch control + LED	Front touch control + LED	Top edge button control + LED	Front button control + LED
Basket description	Max Flex Pro	Flex	Max Flex	Max Flex	Max Flex
Vario Drawer / Extra Space 3rd Basket (3rd loading level)	Vario Drawer	Vario Drawer	Extra Space 3rd Basket	Extra Space 3rd Basket	Extra Space 3rd Basket
Extra Clean Zone	●	-	●	●	●
Glass care technology	●	●	●	●	●
Anti-slip protection and stemware support upper basket	●	-	●	●	●
Adjustable upper basket	3-stage Rackmatic™	3-stage Rackmatic™	2-stage Rackmatic™	2-stage Rackmatic™	2-stage Rackmatic™
Number of flip times in upper / lower basket	6 / 8	2 / 2	2 / 6	2 / 6	2 / 6
Cup shelves upper / lower baskets	2 / 2	2 / 2	2 / 2	2 / 2	2 / 2
Cutlery holder lower basket	-	-	●	●	●
Largest loadable dish upper / lower basket (cm)	21 / 31	21 / 31	21 / 27.5	21 / 27.5	21 / 27.5
Load / Aqua sensor	●	●	●	●	●
Real-time clock	●	-	-	-	-
Start delay time max hours	24	24	24	24	24
Time remaining indicator	-	●	●	●	●
Emotion light (interior lighting)	●	-	-	-	-
End of cycle indicator	Acoustic	-	-	Acoustic	Acoustic
Salt / Rinse aid light indicator	●/●	●/●	●/●	●/●	●/●
Self cleaning filter system	●	●	●	●	●
Single water protection	Aqua Stop 24h	Aqua Stop 24h	Aqua Stop 24h	Internal	Internal
Safety features	Door lock	Control panel lock, door lock	Control panel lock, door lock	Door lock	Door lock
PROGRAMMES / FUNCTIONS					
List of programmes	Intensive 70°C, Express 60°C, Glass 40°C, Intelligent 40°C, Eco 50°C, Auto 45-65°C, Silence 50°C, Favourite, Machine Care	Express 60°C, Eco 50°C, Auto 45-65°C, Intensive 70°C, Silence 50°C, Favourite, Machine Care	Express 60°C, Eco 50°C, Auto 45-65°C, Intensive 70°C, Express 45°C, Glass 40°C, Silence 50°C, Favourite, Machine Care	Eco 50°C, Auto 45-65°C, Intensive 70°C, Express 65°C, Silence 50°C, Favourite, Machine Care	Eco 50°C, Auto 45-65°C, Intensive 70°C, Express 60°C, Silence 50°C, Favourite, Machine Care
Additional special options	Remote Start, Extra Dry, Intensive Zone, Hygiene+, SpeedPerfect+	Remote Start, Extra Dry, Half Load, SpeedPerfect+	Remote Start, Extra Dry, Intensive Zone, SpeedPerfect+	Remote Start, EfficientDry, Half Load, SpeedPerfect+	Remote Start, Extra Dry, Half Load, SpeedPerfect+
TECHNICAL SPECIFICATIONS					
Reference programme for measurements	Eco 50°C	Eco 50°C	Eco 50°C	Eco 50°C	Eco 50°C
Energy efficiency class ¹					
Energy ² / water ³ (kWh / litres)	65 / 9.5	54 / 9.5	74 / 9.5	74 / 9.5	74 / 9.5
Load capacity (place settings)	14	14	13	13	13
Programme duration ⁴ (h:min)	3:55	4:55	3:55	4:35	4:35
Noise level (dB(A) re 1 pW)	43	44	42	46	46
Noise efficiency class	B	B	B	C	C
Noise level (silence programme) (dB(A) re 1 pW)	41	42	40	43	43
Maximum height adjustability feet (cm)	2	2	2	2	2
Depth with open door 90 degree (cm)	115.5	115.5	115.5	115.5	115.5
Length of electrical supply cord (cm)	175	175	175	175	175
Length inlet / outlet hose (cm)	165 / 190	165 / 190	165 / 190	150 / 190	165 / 190
Height of the product with removable top (cm)	84.5	84.5	84.5	84.5	84.5
Height of the product without removable top (cm)	81.5	81.5	81.5	81.5	81.5
Width / Depth of the product (cm)	60 / 60	60 / 60	60 / 60	60 / 60	60 / 60
Net weight / Gross weight (kg)	56 / 59	52 / 54	56 / 58	54 / 56	54 / 56
Water softener ⁵	●	●	●	●	●
Maximum accepted water hardness (°DH)	50	50	50	50	50
Maximum temperature for water intake (°C)	60	60	60	60	60
Interior cavity	Stainless steel	Stainless steel	Stainless steel	Stainless steel	Stainless steel
Included accessories	-	-	Large item spray head	Large item spray head	Large item spray head

● = Yes - = No
¹On an energy efficiency class scale from A to G
²Energy consumption in kWh/100 operating cycles (using Eco programme)
³Water consumption in litres/operating cycle (using Eco programme)
⁴Duration of Eco programme
⁵We would recommend our dishwashers are connected to the mains water supply where possible. However, they may also be connected to an external water softener as long as the water softener produces softened water of less than 1.1 mmol/litre (7.0°e) and the water softener in the appliance is turned off. Please contact product advice for further information. Water pressure required: 0.5-10 Bar. Flow rate: 10 litres per minute. Inlet valve connected directly to ¾" screwed joint.
Data valid in this table as of April 2023. Subject to modification without prior notice.

5 year warranty - Offer dates 01.04.23 - 31.03.24. T&C's apply. Online registration required. Selected models only.

Explore more at [bosch-home.co.uk](https://www.bosch-home.co.uk) / [bosch-home.ie](https://www.bosch-home.ie)

60CM DISHWASHERS						
SERIES 6	SERIES 6	SERIES 4	SERIES 4	SERIES 4	SERIES 4	
SMS6ZCI00G	SMS6ZCW00G	SMS4HMI00G	SMS4HMW00G	SMS4HKI00G	SMS4HKW00G	
Colour	Silver Inox	White	Silver Inox	White	Silver Inox	White
DESIGN FEATURES						
Drying system	PerfectDry Zeolith	PerfectDry Zeolith	Heat exchanger	Heat exchanger	Heat exchanger	Heat exchanger
Home Connect	●	●	●	●	●	●
Control panel type	Front button control + LED	Front button control + LED	Front button control + LED	Front button control + LED	Front button control + LED	Front toggle control + LED
Basket description	Flex	Flex	Vario Flex	Vario Flex	Vario Flex	Vario Flex
Vario Drawer	Vario Drawer	Vario Drawer	Vario Drawer	Vario Drawer	-	-
Extra Clean Zone	-	-	-	-	-	-
Glass care technology	●	●	●	●	●	●
Anti-slip protection and stemware support upper basket	-	-	-	-	-	-
Adjustable upper basket	3-stage Rackmatic™	3-stage Rackmatic™	3-stage Rackmatic™	3-stage Rackmatic™	3-stage Rackmatic™	3-stage Rackmatic™
Number of flip times in upper / lower basket	2 / 2	2 / 2	2 / 4	2 / 4	2 / 4	2 / 4
Cup shelves upper / lower baskets	2 / 2	2 / 2	2 / -	2 / -	2 / -	2 / -
Cutlery holder lower basket	-	-	-	-	●	●
Largest loadable dish upper / lower basket (cm)	21 / 31	21 / 31	21 / 30	21 / 30	27 / 30	27 / 30
Load / Aqua sensor	●	●	●	●	●	●
Real-time clock	●	●	●	●	●	●
Start delay time max hours	24	24	24	24	24	24
Time remaining indicator	●	●	●	●	●	●
Emotion light (interior lighting)	-	-	-	-	-	-
End of cycle indicator	-	-	-	-	-	-
Salt / Rinse aid light indicator	●/●	●/●	●/●	●/●	●/●	●/●
Self cleaning filter system	●	●	●	●	●	●
Single water protection	Internal	Internal	Internal	Internal	Internal	Internal
Safety features	Control panel lock, door lock	Control panel lock, door lock	Control panel lock, door lock	Control panel lock, door lock	Control panel lock, door lock	Control panel lock, door lock
PROGRAMMES / FUNCTIONS						
List of programmes	Eco 50°C, Auto 45-65°C, Intensive 70°C, Express 60°C, Silence 50°C, Favourite, Machine Care	Eco 50°C, Auto 45-65°C, Intensive 70°C, Express 60°C, Silence 50°C, Favourite, Machine Care	Eco 50°C, Auto 45-65°C, Intensive 70°C, Express 65°C, Silence 50°C, Favourite, Machine Care	Eco 50°C, Auto 45-65°C, Intensive 70°C, Express 65°C, Silence 50°C, Favourite, Machine Care	Eco 50°C, Auto 45-65°C, Intensive 70°C, Express 65°C, Silence 50°C, Favourite, Machine Care	Eco 50°C, Auto 45-65°C, Intensive 70°C, Express 65°C, Silence 50°C, Favourite, Machine Care
Additional special options	Remote Start, Extra Dry, Half Load, SpeedPerfect+	Remote Start, Extra Dry, Half Load, SpeedPerfect+	Remote Start, Extra Dry, Half Load, SpeedPerfect+	Remote Start, Extra Dry, Half Load, SpeedPerfect+	Remote Start, Extra Dry, Half Load, SpeedPerfect+	Remote Start, Extra Dry, Half Load, SpeedPerfect+
TECHNICAL SPECIFICATIONS						
Reference programme for measurements	Eco 50°C	Eco 50°C	Eco 50°C	Eco 50°C	Eco 50°C	Eco 50°C
Energy efficiency class ¹						
Energy ² / water ³ (kWh / litres)	75 / 9.5	75 / 9.5	85 / 9.5	85 / 9.5	84 / 9.5	84 / 9.5
Load capacity (place settings)	14	14	14	14	13	13
Programme duration ⁴ (h:min)	3:55	3:55	4:55	4:55	4:55	4:55
Noise level (dB(A) re 1 pW)	44	44	44	44	44	44
Noise efficiency class	B	B	B	B	B	B
Noise level (silence programme) (dB(A) re 1 pW)	42	42	42	42	42	42
Maximum height adjustability feet (cm)	2	2	2	2	2	2
Depth with open door 90 degree (cm)	115.5	115.5	115.5	115.5	115.5	115.5
Length of electrical supply cord (cm)	175	175	175	175	175	175
Length inlet / outlet hose (cm)	165 / 190	165 / 190	165 / 190	165 / 190	165 / 190	150 / 190
Height of the product with removable top (cm)	84.5	84.5	84.5	84.5	84.5	84.5
Height of the product without removable top (cm)	81.5	81.5	81.5	81.5	81.5	81.5
Width / Depth of the product (cm)	60 / 60	60 / 60	60 / 60	60 / 60	60 / 60	60 / 60
Net weight / Gross weight (kg)	54 / 57	54 / 57	50 / 52	50 / 52	47 / 48	47 / 48
Water softener ⁵	●	●	●	●	●	●
Maximum accepted water hardness (°DH)	50	50	50	50	50	50
Maximum temperature for water intake (°C)	60	60	60	60	60	60
Interior cavity	Stainless steel	Stainless steel	Stainless steel	Stainless steel	Stainless steel	Stainless steel
Included accessories	Large item spray head	Large item spray head	Large item spray head	Large item spray head	Large item spray head	Large item spray head

● = Yes - = No
¹On an energy efficiency class scale from A to G
²Energy consumption in kWh/100 operating cycles (using Eco programme)
³Water consumption in litres/operating cycle (using Eco programme)
⁴Duration of Eco programme
⁵We would recommend our dishwashers are connected to the mains water supply where possible. However, they may also be connected to an external water softener as long as the water softener produces softened water of less than 1.1 mmol/litre (7.0°e) and the water softener in the appliance is turned off. Please contact product advice for further information. Water pressure required: 0.5-10 Bar. Flow rate: 10 litres per minute. Inlet valve connected directly to ¾" screwed joint.
Data valid in this table as of April 2023. Subject to modification without prior notice.

Making **life easy** through innovative technologies

60cm dishwashers



DISHWASHER TYPE	SERIES 2	SERIES 2	SERIES 2	SERIES 2	SERIES 2
DESIGN FAMILY	SERIES 2	SERIES 2	SERIES 2	SERIES 2	SERIES 2
MODEL	SMS2HVI66G	SMS2HWV66G	SMS2ITI41G	SMS2ITW41G	SMS2ITW08G
Colour	Silver Inox	White	Silver Inox	White	White
DESIGN FEATURES					
Drying system	Heat exchanger	Heat exchanger	Inherent heat	Inherent heat	Inherent heat
Home Connect WiFi connectivity	●	●	●	●	●
Control panel type	Front button control + LED	Front button control + LED	Front button control + LED	Front button control + LED	Front button control + LED
Basket description	Vario	Vario	Vario	Vario	Vario Flex basket
Vario Drawer / Extra Space 3rd Basket (3rd loading level)	Vario Drawer	Vario Drawer	-	-	-
Extra Clean Zone	-	-	-	-	-
Glass care technology	●	●	●	●	●
Anti-slip protection and stemware support upper basket	-	-	-	-	-
Adjustable upper basket	3-stage Rackmatic™	3-stage Rackmatic™	Adjustable when empty	Adjustable when empty	Adjustable when empty
Number of flip times in upper / lower basket	- / 2	- / 2	- / 2	- / 2	- / 2
Cup shelves upper / lower baskets	2 / -	2 / -	-	-	-
Cutlery holder lower basket	-	-	●	●	●
Largest loadable dish upper / lower basket (cm)	21 / 31	21 / 31	27 / 31	27 / 31	27 / 31
Load / Aqua sensor	●	●	●	●	●
Real-time clock	-	-	-	-	-
Start delay time max hours	24	24	24	24	9
Time remaining indicator	●	●	●	●	●
Emotion light (interior lighting)	-	-	-	-	-
End of cycle indicator	-	-	-	-	-
Salt / Rinse aid light indicator	●/●	●/●	●/●	●/●	●/●
Self cleaning filter system	●	●	●	●	●
Flood protection system	Internal	Internal	Internal	Internal	Internal
Safety features	Control panel lock, door lock	Control panel lock, door lock	Control panel lock, door lock	Control panel lock, door lock	Door lock
PROGRAMMES / FUNCTIONS					
List of programmes	Eco 50°C, Auto 45-65°C, Intensive 70°C, Express 65°C, Silence 50°C, Favourite, Machine Care	Eco 50°C, Auto 45-65°C, Intensive 70°C, Express 65°C, Silence 50°C, Favourite, Machine Care	Eco 50°C, Auto 45-65°C, Intensive 70°C, Express 65°C, Favourite, Machine Care	Eco 50°C, Auto 45-65°C, Intensive 70°C, Express 65°C, Favourite, Machine Care	Eco 50°C, Auto 45-65°C, Intensive 70°C, Express 65°C, Favourite, Machine Care
Additional special options	Remote start, Extra Dry, Half Load, SpeedPerfect+	Remote start, Extra Dry, Half Load, SpeedPerfect+	Remote start, Extra Dry, Half Load, SpeedPerfect	Remote start, Extra Dry, Half Load, SpeedPerfect	Remote start, Extra Dry, Half Load
TECHNICAL SPECIFICATIONS					
Reference programme for measurements	Eco 50°C	Eco 50°C	Eco 50°C	Eco 50°C	Eco 50°C
Energy efficiency class ¹					
Energy ² / water ³ (kWh / litres)	94 / 9.5	94 / 9.5	92 / 10.5	92 / 10.5	92 / 10.5
Load capacity (place settings)	13	13	12	12	12
Programme duration ⁴ (h:min)	3:45	3:45	4:30	4:30	4:30
Noise level (dB(A) re 1 pW)	48	48	48	48	50
Noise efficiency class	C	C	C	C	C
Noise level (silence programme) (dB(A) re 1 pW)	46	46	-	-	-
Maximum height adjustability feet (cm)	2	2	2	2	2
Depth with open door 90 degree (cm)	115.5	115.5	115.5	115.5	115.5
Length of electrical supply cord (cm)	175	175	175	175	175
Length inlet / outlet hose (cm)	165 / 190	165 / 190	165 / 190	165 / 190	165 / 190
Height of the product with removable top (cm)	84.5	84.5	84.5	84.5	84.5
Height of the product without removable top (cm)	81.5	81.5	81.5	81.5	81.5
Width / Depth of the product (cm)	60 / 60	60 / 60	60 / 60	60 / 60	60 / 60
Net weight / Gross weight (kg)	50 / 52	50 / 52	45 / 46	45 / 46	44 / 45
Water softener ⁵	●	●	●	●	●
Maximum accepted water hardness (°DH)	50	50	50	50	50
Maximum temperature for water intake (°C)	60	60	60	60	60
Interior cavity	Stainless steel / Polinox base	Stainless steel / Polinox base	Stainless steel / Polinox base	Stainless steel / Polinox base	Stainless steel / Polinox base
Included accessories	Large item spray head	Large item spray head	Large item spray head	Large item spray head	Large item spray head

● = Yes - = No
¹On an energy efficiency class scale from A to G
²Energy consumption in kWh/100 operating cycles (using Eco programme)
³Water consumption in litres/operating cycle (using Eco programme)
⁴Duration of Eco programme
⁵We would recommend our dishwashers are connected to the mains water supply where possible. However, they may also be connected to an external water softener as long as the water softener produces softened water of less than 1.1 mmol/litre (7.0°e) and the water softener in the appliance is turned off. Please contact product advice for further information. Water pressure required: 0.5-10 Bar. Flow rate: 10 litres per minute. Inlet valve connected directly to ¾" screwed joint.
Data valid in this table as of April 2023. Subject to modification without prior notice.

45cm & compact dishwashers



DISHWASHER TYPE	45CM DISHWASHER	45CM DISHWASHER	45CM DISHWASHER	45CM DISHWASHER	COMPACT DISHWASHER
DESIGN FAMILY	SERIES 4	SERIES 4	SERIES 4	SERIES 2	SERIES 4
MODEL	SPS4HMW53G	SPS4HKI45G	SPS4HKW45G	SPS2IKW04G	SKS62E32EU
Colour	White	Silver Inox	White	White	White
DESIGN FEATURES					
Drying system	Heat exchanger	Heat exchanger	Heat exchanger	Inherent heat	Inherent heat
Home Connect WiFi connectivity	●	●	●	●	-
Control panel type	Front button control + LED	Front button control + LED	Front button control + LED	Front button control + LED	Front dial control + LED
Basket description	Vario Flex	Vario Flex	Vario Flex	Vario	Vario
Vario Drawer / Extra Space 3rd Basket (3rd loading level)	Vario Drawer	-	-	-	-
Extra Clean Zone	-	-	-	-	-
Glass care technology	●	●	●	●	-
Anti-slip protection and stemware support upper basket	-	-	-	-	-
Adjustable upper basket	3-stage Rackmatic™	3-stage Rackmatic™	3-stage Rackmatic™	Adjustable when empty	-
Number of flip times in upper / lower basket	2 / 2	2 / 2	2 / 2	-	-
Cup shelves upper / lower baskets	1 / 1	2 / 1	2 / 1	2 / -	- / 2
Cutlery holder lower basket	-	●	●	●	-
Largest loadable dish upper / lower basket (cm)	21 / 31	27 / 31	27 / 31	27 / 31	28
Load / Aqua sensor	●	●	●	●	●
Real-time clock	-	-	-	-	-
Start delay time max hours	24	24	24	9	24
Time remaining indicator	●	●	●	-	●
Emotion light (interior lighting)	-	-	-	-	-
End of cycle indicator	-	-	-	-	-
Salt / Rinse aid light indicator	●/●	●/●	●/●	●/●	●/●
Self cleaning filter system	●	●	●	●	●
Flood protection system	Internal	Internal	Internal	Internal	AquaStop 24hr
Safety features	Door lock	Door lock	Door lock	Door lock	Door lock
PROGRAMMES / FUNCTIONS					
List of programmes	Eco 50°C, Auto 45-65°C, Intensive 70°C, Express 65°C, Favourite, Machine Care	Eco 50°C, Auto 45-65°C, Intensive 70°C, Express 65°C, Silence 50°C, Favourite, Machine Care	Eco 50°C, Auto 45-65°C, Intensive 70°C, Express 65°C, Silence 50°C, Favourite, Machine Care	Eco 50°C, Auto 45-65°C, Intensive 70°C, Express 65°C, Favourite, Machine Care	Eco 50°C, Auto 45-65°C, Intensive 70°C, Quick 45°C, Glass 40°C, Pre-Rinse
Additional special options	Remote Start, Extra Dry, SpeedPerfect+, Intensive Zone	Remote Start, Extra Dry, SpeedPerfect+, Intensive Zone	Remote Start, Extra Dry, SpeedPerfect+, Intensive Zone	Remote Start, Extra Dry, SpeedPerfect	Extra Dry, SpeedPerfect
TECHNICAL SPECIFICATIONS					
Reference programme for measurements	Eco 50°C	Eco 50°C	Eco 50°C	Eco 50°C	Eco 50°C
Energy efficiency class ¹					
Energy ² / water ³ (kWh / litres)	76 / 9.5	70 / 8.5	70 / 8.5	78 / 9.5	61 / 8
Load capacity (place settings)	10	9	9	9	6
Programme duration ⁴ (h:min)	3:40	3:40	3:40	3:35	3:55
Noise level (dB(A) re 1 pW)	45	46	46	48	49
Noise efficiency class	C	C	C	C	C
Noise level (silence programme) (dB(A) re 1 pW)	42	43	43	-	-
Maximum height adjustability feet (cm)	2	2	2	2	-
Depth with open door 90 degree (cm)	115.5	115.5	115.5	115.5	84.5
Length of electrical supply cord (cm)	175	175	175	175	175
Length inlet / outlet hose (cm)	165 / 205	165 / 205	165 / 205	165 / 205	165 / 215
Height of the product with removable top (cm)	84.5	84.5	84.5	84.5	45.0
Height of the product without removable top (cm)	81.5	81.5	81.5	81.5	Top not removable
Width / Depth of the product (cm)	45 / 60	45 / 60	45 / 60	45 / 60	55 / 50
Net weight / Gross weight (kg)	40 / 42	42 / 44	39 / 40	44 / 46	22 / 24
Water softener ⁵	●	●	●	●	●
Maximum accepted water hardness (°DH)	50	50	50	35	35
Maximum temperature for water intake (°C)	60	60	60	60	60
Interior cavity	Stainless steel	Stainless steel	Stainless steel	Stainless steel	Stainless steel / Polinox
Included accessories	Large item spray head	Large item spray head	Large item spray head	Large item spray head	-

● = Yes - = No
¹On an energy efficiency class scale from A to G
²Energy consumption in kWh/100 operating cycles (using Eco programme)
³Water consumption in litres/operating cycle (using Eco programme)
⁴Duration of Eco programme
⁵We would recommend our dishwashers are connected to the mains water supply where possible. However, they may also be connected to an external water softener as long as the water softener produces softened water of less than 1.1 mmol/litre (7.0°e) and the water softener in the appliance is turned off. Please contact product advice for further information. Water pressure required: 0.5-10 Bar. Flow rate: 10 litres per minute. Inlet valve connected directly to ¾" screwed joint.
Data valid in this table as of April 2023. Subject to modification without prior notice.

Installation tips

Dishwashers

Integrated dishwashers

Energy and water-efficient with outstanding performance, Bosch integrated dishwashers quietly do all the hard work for you behind closed doors. These models can be built under a worktop or sink drainer, between two units or at the end of a run of units. A furniture door is mounted on the appliance door so that the dishwasher is indistinguishable from other kitchen cabinets. Choose from full size 60cm wide, or slimline 45cm wide.

Built-in dimensions (60m wide)

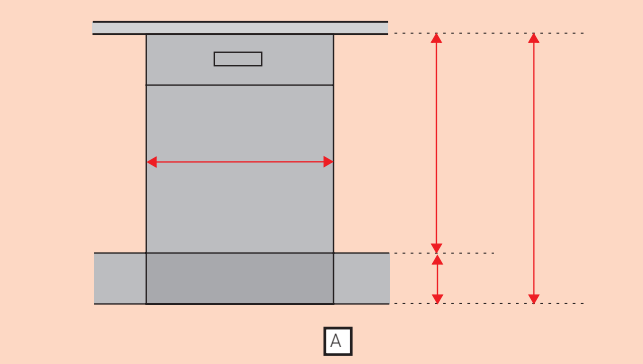
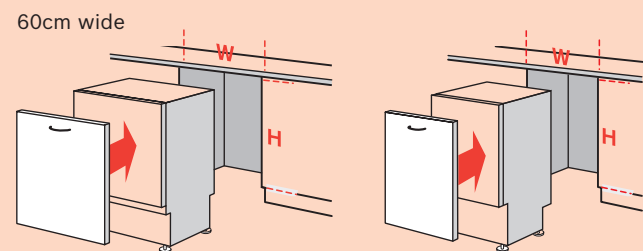
If you have a recess height of 81.5 – 87.5cm, plan for an 81cm dishwasher. The appliance's feet may be screwed out to a total height of 87.5cm. Or, if you have a recess height of 86.5 – 92.5cm plan for an 86cm dishwasher. The appliance's feet screw out to a total height of 92.5cm.

Quick checklist

Type

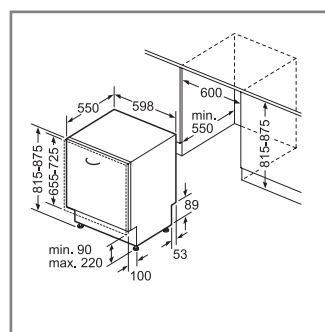
Fully integrated dishwasher

- 60cm wide
- 45cm wide

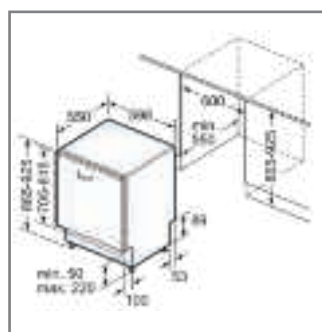


Built-in dishwasher technical diagrams

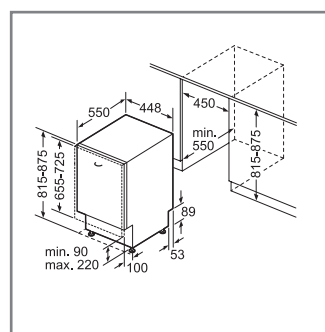
Fully integrated and slimline dishwashers



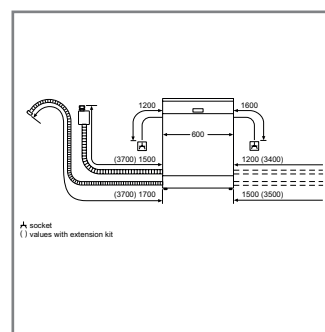
Fully integrated dishwashers



SBH4HVX31G (extra height)



45cm dishwashers



All 60cm dishwasher connection dimensions

Built-in dishwasher accessories

DESCRIPTION	Accessory Nr.	SMD8YCX02G	SMD6TCX00E	SMD6ZCX60G	SMD6EDX57G	SMV6ZCX01G	SMV4HCX40G	SMV4HAX40G
Split door furniture front connection rails – For fullsize and slimline models	SGZ8BI00	•	•	•	•	•	•	•
Decor strip - For 60cm and 45cm Stainless Steel base models, 81.5cm height	SGZ0BI01	•	•	•	•	•	•	•
Decor strip - For 60cm Polinox base models, 81.5cm height	SGZ0BI02	-	-	-	-	-	-	-
Decor strip - For 60cm Stainless Steel base models installed off the ground, 81.5cm height	SMZ5035	•	•	•	•	•	•	•
Decor strip - For full size Stainless Steel base models, 86.5cm height	SGZ0BI11	-	•	-	-	-	-	-
Decor strip - For full size Stainless Steel base models installed off the ground, 86.5cm height	SMZ5045	-	•	-	-	-	-	-

DESCRIPTION	Accessory Nr.	SBH4HVX31G	SMH4HVX32G	SMV4HVX38G	SMV4HTX27G	SMV2ITX18G	SPV4EMX21G	SPV2HKX39G
Split door furniture front connection rails – For fullsize and slimline models	SGZ8BI00	•	•	•	•	•	•	•
Decor strip - For 60cm and 45cm Stainless Steel base models, 81.5cm height	SGZ0BI01	-	-	-	-	-	-	-
Decor strip - For 60cm Polinox base models, 81.5cm height	SGZ0BI02	-	-	•	•	•	•	•
Decor strip - For 60cm Stainless Steel base models installed off the ground, 81.5cm height	SMZ5035	-	-	-	-	-	-	-
Decor strip - For full size Stainless Steel base models, 86.5cm height	SGZ0BI11	-	-	-	-	-	-	-
Decor strip - For full size Stainless Steel base models installed off the ground, 86.5cm height	SMZ5045	-	-	-	-	-	-	-

All diagram measurements are in millimetres (mm)

We try to keep up to date with constant technological improvements, so from time to time we may update installation guidelines. Therefore we strongly recommend that you download the latest installation guidelines from www.bosch-home.co.uk. Line drawings are for guidance only, and we recommend that you refer to the latest installation guidelines. Though every care is taken to ensure instructions are correct at the time of printing, Bosch cannot accept responsibility for incorrect planning or installation as a result of the use of these line drawings.

Freestanding dishwasher accessories

DISHCARE ACCESSORIES			
Cutlery baskets		Cutlery baskets (45cm & Compacts)	
Model	SMZ5100	Model	SPZ5100
Hose extension		Wine Glass Holder	
Model	SGZ1010	Model	SMZ5300
Silver Cassette			
Model	SMZ5002		

Freestanding dishwasher accessories

DESCRIPTION	Accessory Nr.	SMS8YCI03E	SMS6ZDW48G	SMS6EDI02G	SMS6EDW02G	SMS6ZCI00G	SMS6ZCW00G	SMS4HMI00G	SMS4HMM00G
Aqua stop extension	SGZ1010	•	•	•	•	•	•	•	•
Silver polishing cassette - 60cm dishwashers	SMZ5002	-	•	•	•	•	•	•	•
Vario cutlery basket - 45cm dishwashers	SPZ5100	-	-	-	-	-	-	-	-
Vario cutlery basket - 60cm dishwashers	SMZ5100	•	-	-	-	•	•	•	•
Wine glass holder accessory (Glass secure tray)	SMZ5300	•	•	•	•	•	•	•	•

DESCRIPTION	Accessory Nr.	SMS4HKI00G	SMS4HKW00G	SMS2HVI66G	SMS2HVV66G	SMS2IT141G	SMS2ITW41G	SPS2IKW04G	SKS62E32EU
Aqua stop extension	SGZ1010	•	•	•	•	•	•	•	•
Silver polishing cassette - 60cm dishwashers	SMZ5002	•	•	-	-	-	-	-	-
Vario cutlery basket - 45cm dishwashers	SPZ5100	-	-	-	-	-	-	-	-
Vario cutlery basket - 60cm dishwashers	SMZ5100	-	-	•	•	-	-	-	-
Wine glass holder accessory (Glass secure tray)	SMZ5300	•	•	•	•	•	•	•	•

Introducing the Bosch refrigeration range

Save more, waste less. Our range of freestanding fridge freezers are packed with innovative technologies to keep your food fresh for longer, so you'll throw out less and save on your weekly shopping bill.

To help you choose the right appliance, we have divided them into the four ranges below.

Series 8

Cutting-edge design meets advanced technologies. All models in our **Series 8** range are packed with features that save valuable time, effort and money – perfect for modern, busy households.

Series 6

Our **Series 6** range of appliances combines efficient performance with convenient storage and superior food preservation.

Series 4

All models in our **Series 4** range combine practical features with Bosch build quality.

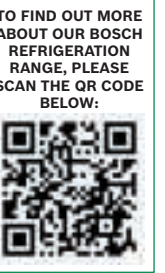
Series 2

Built for optimal food storage, the **Series 2** refrigeration range is just as practical as it is value for money.



Model shown: KIN86VSE0G

Lock in the freshness.



Easy-to-clean magnetic door seals

The magnetic door seals on all of our refrigeration ranges are **removable**, making them easy to clean and/or replace when necessary.

Refrigeration functions explained.

Check model for available functions.



No Frost
Never defrost again, thanks to perfect protection from ice formation that saves time and effort.



Low Frost
Defrost less often thanks to lower ice formation, saving work and energy.



Big Box
An extra-deep frozen food drawer makes stacking frozen foods containers or large frozen items like a Christmas Turkey or pizza boxes easier.



Multi Box
Transparent drawer with wave bottom, ideal for the storage of fruits and vegetables.



Super Cool
Activating the Super Cooling function before you go shopping lowers the temperature for a short period, so your fresh shopping is kept at the right temperature.



Super Freeze
The Super Freeze function temporarily lowers the temperature in the freezer for when you have new shopping to load in, protecting both new and existing food.



Safety Glass
Strong glass shelves ensure heavier items can be stored safely.



Easy Shelf Access
The shatterproof, frameless glass shelves are particularly easy to use, thanks to the smooth pull-out mechanism. And they also give you a clear view of your food at any time.



Multi Airflow
The fan-assisted Multi Airflow System causes gentle, even currents of cold air to emerge at all levels of the chilling and freezing area. Temperature fluctuations are minimised and cooling times are reduced.

VitaFresh

With **VitaFresh**, you'll be able to store your fruit and vegetables safely to lock in the freshness. And with an adjustable humidity setting on the drawer, you'll be keeping your fresh food in a perfectly controlled environment.

There are two drawer solutions; you'll either find one big drawer for fish and meat or two drawers, one for fish and one for meat. All with a temperature regulating slider which lets you lower the temperature up to 4°C lower than the rest of the fridge.

VitaFresh^{plus}

The **Series 6** fridge freezers help you to live healthier. They not only offer you plenty of room for fresh foods, drinks and even big pots and bowls, but also the technology to store them optimally.

The **VitaFresh plus** freshness system guarantees ideal storage conditions at any time and ensures that fish, meat, fruit and vegetables stay fresh for longer. This makes our Series 6 fridge freezer not only optimal for your food, but also for yourself.

VitaFresh plus models have the added benefit of a convenient push button for humidity control.

VitaFresh^{pro}

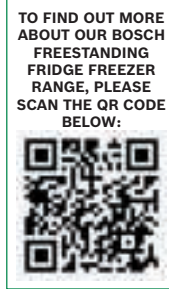
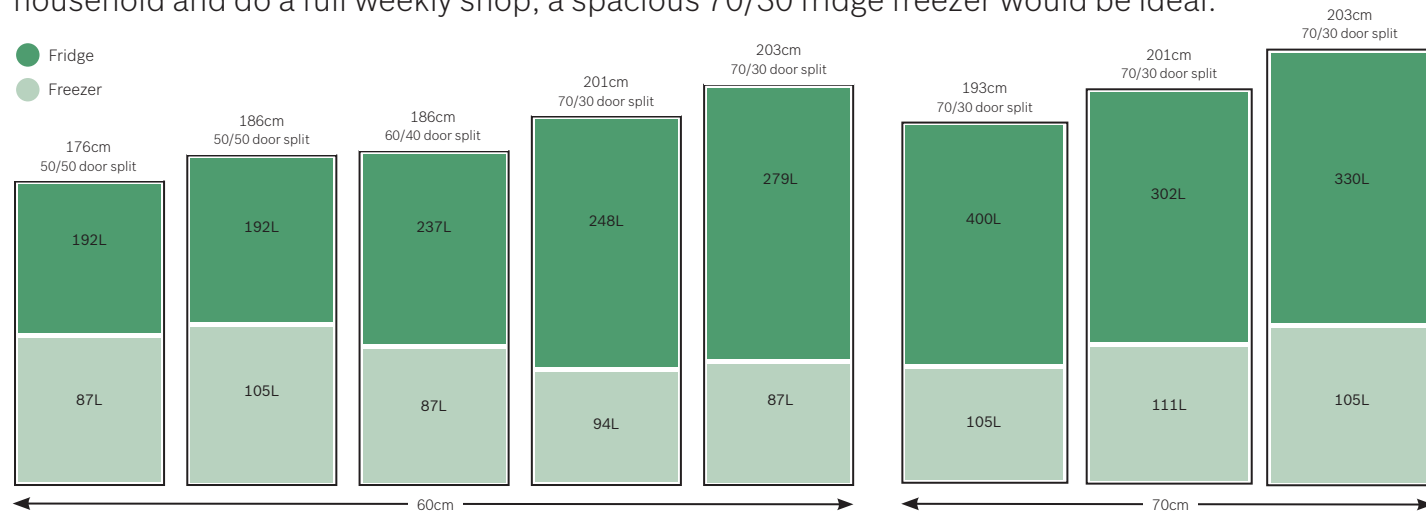
The **Series 8** fridges feature our best freshness system **VitaFresh pro**. It keeps food fresh for longer with temperatures from -1°C to +3°C while maintaining the perfect humidity level.

This combination of temperature and humidity helps you to protect all the aromas, essential nutrients and valuable vitamins in your fresh food. Hence, it's easier than ever to maintain a healthy diet with fresh fruit and vegetables every day.

Select the right fridge freezer for you.

Height, width and fridge freezer split.

Our fridge freezer options are tailored to suit every family household's needs, so you can choose your appliance to ensure this. For those who shop little and often, try a smaller capacity fridge and freezer which doesn't impact on space. If you have a busy household and do a full weekly shop, a spacious 70/30 fridge freezer would be ideal.



Controlling your appliance.

Across the range of cooling appliances, there are different ways you can control the temperature inside your fridge freezer. Below are the different variations:



Exterior LCD, digital control (touch control)



Exterior touch control (digital control)



Interior LED button control



Interior LED button (freezer only)

The XXL fridge freezers. Keep more, waste less.

The Bosch XXL fridge freezers are extra-large, providing much more space for your food. Their impressive refrigeration has features such as full flexibility of all safety glass shelves which are particularly easy to use, thanks to the smooth pull-out mechanism.

Across the range of 70cm-wide and 86cm-wide, models include a **Big Box** freezer drawer, for the practical stacking of frozen food containers or large frozen items and the **VitaFresh** function which ensures food is kept fresh for longer – thanks to extra low temperatures for fish and meat, and adjustable humidity for fruit and vegetables.



Anti fingerprint
Your appliance will stay finger print free and looking clean and fresh.

Explore more at bosch-home.co.uk / bosch-home.ie



Select the right model for your kitchen.



Built-in fridge freezer

Built-in fridge freezers blend seamlessly into your kitchen cabinets, making it easy to access your chilled food, and still provide plenty of storage for your frozen goods. Select from a variety of options to suit your needs for either larger fridges or freezers.



Built-in fridge

Built-in fridges integrated into your kitchen cabinets. Add to the expanded space you have for keeping your chilled food fresh.



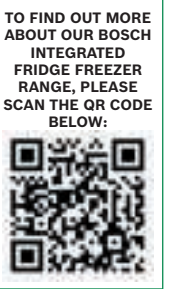
Built-in freezer

Bosch has a wide range of built-in freezers to suit every kitchen size. From tall upright freezers to compact under-counter models, all Bosch freezers are built to maximise storage space and minimise energy consumption.



Built-under fridge and freezer

Our built-under fridges and freezers are ideal for those limited on space within the kitchen. Under-counter cooling solutions will allow you to have easy access to your chilled food, all while being discreetly tucked behind the door.



Hinges to fit in with your kitchen.

Fixed hinge

Fixed hinges allow heavier furniture doors to be fitted to the appliance, ideal for kitchen cabinets made from heavier hard wood. This also allows the door to be open at a wider angle, making the whole fridge cavity easily accessible.



Sliding hinge

Sliding hinges are designed for integrated kitchens and are designed to sit between the appliance and the kitchen furniture, which is secured by a number of brackets. As you open the furniture door, the appliance door also opens, thanks to the series of brackets.



Quietly does it

As there could be many small and larger hands opening and shutting the fridge door, it's nice to know that we've integrated **Soft Closing doors** in many models – so doors don't get left open accidentally.




Model shown: KIF86PFE0

Multi-door cooling



TO FIND OUT MORE ABOUT OUR BOSCH MULTI-DOOR FRIDGE FREEZER RANGE, PLEASE SCAN THE QR CODE BELOW:



Sleek, stunning design, best-in-class freshness system, XXL fridge capacity for effortless organisation and innovative features are designed to keep your food fresh for longer.


Model shown: KFF96PIEP 

Wine coolers


Your own personal wine cellar.

The range of stylish Bosch wine coolers blend seamlessly into your kitchen, while constantly keeping your red and white wine perfectly stored and at an ideal temperature.

TO FIND OUT MORE ABOUT OUR BOSCH WINE COOLER RANGE, PLEASE SCAN THE QR CODE BELOW:




- ✓ **2 temperature zones:** ranging from 5°C to 20°C
- ✓ **Oak shelves:** With telescopic rails
- ✓ **Interior LED light bar:** With on/off function for presentation

Model shown: KUW21AHG0G 

Choosing the right model for your needs.




Model shown: KAG93AIEPG 

2 door

- ✓ **Classic side by side design:** easy to store and access your shopping
- ✓ **Multi Airflow:** innovative technology that ensures equal temperature throughout the fridge cavity
- ✓ **No Frost:** no more defrosting!
- ✓ **External ice and water dispenser:** ice-cold water at the touch of a button



Model shown: KFF96PIEP 

3 door

- ✓ **Wide not deep:** by halving the door size, you can get a big capacity without the door cutting into your kitchen walkway
- ✓ **VitaFresh pro:** to store your fruit and veg fresh for longer
- ✓ **Effortless Access:** designed with 3 doors to give you easy access
- ✓ **Internal Water Dispenser:** keeps the appliance exterior looking seamless
- ✓ **Automatic Ice Cube Maker:** instant ice for those hot summer days




Model shown: KFN96APEA 

4 door

- ✓ **XXL capacity:** easily store your weekly shop
- ✓ **VitaFresh technology:** keep your fruit and veg fresh for longer
- ✓ **No Frost:** say goodbye to defrosting!
- ✓ **Super storage:** the freezer cavity comes with two No Frost Big Boxes – ideal for stacking meal prep containers



- ✓ **Wooden oak shelves**
- ✓ **Interior light with on/off function for presentation**
- ✓ **Changeable hinge**

Model shown: KUW20VHF0G 



TYPE	BOTTOM FREEZER	BOTTOM FREEZER	BOTTOM FREEZER	BOTTOM FREEZER
DESIGN FAMILY	SERIES 8	SERIES 6	SERIES 4	SERIES 4
MODEL NUMBER	KIF86PFE0	KIN86ADD0G	KIN86HFE0	KIN86VFE0G
Fridge / Freezer split	60 / 40	60 / 40	60 / 40	60 / 40
No Frost	•	•	•	•
Low Frost or Manual defrost	-	-	-	-
Soft Close hinge	-	•	-	-
Type of hinge (reversible)	Fixed hinge	Fixed hinge	Fixed hinge	Fixed hinge
Home Connect	-	-	•	-
FOOD FRESHNESS SYSTEM				
VitaFresh	1 VitaFresh Premium 0°C drawer	1 VitaFresh plus drawer	1 VitaFresh plus drawer	1 VitaFresh plus drawer
KEY FEATURES – FRIDGE SECTION				
Light	LED	LED	LED	LED
Super Cool	•	•	-	-
Type of control	Electronic	Electronic	Electronic	Electronic
Number of shelves	3	3	3	3
Number of adjustable shelves	2	2	3	3
Number of door bins / shelves	2	2	3	3
Type of shelves	Safety glass	Safety glass	Safety glass	Safety glass
Temperature display	Digital 7 segment	Digital 7 segment	Digital 7 segment	Digital LED
Warning signal door open	Visual and audible	Visual and audible	visual / acoustic	visual / acoustic
Bottle shelves in fridge	-	•	-	-
KEY FEATURES – FREEZER SECTION				
Door opened indicator	Visual and audible	Visual and audible	Visual and audible	-
Super Freeze function	•	•	-	•
Temperature adjustable in freezer	•	•	•	-
Number of ice cube trays	1	1	1	1
Number of freezer drawers	3	3	3	3
ADDITIONAL INFORMATION				
Energy efficiency class				
Energy consumption annual kWh ¹	232 kWh/a	186 kWh/a	234 kWh/a	234 kWh/a
Total net capacity (litres)	223	254	260	260
Refrigerator net capacity 4°C - 8°C (litres)	156	187	184	184
Refrigerator net capacity 0°C (litres)	55	0	0	0
Freezer net capacity (litres)	67	67	76	76
Climate class ²	SN-ST	SN-ST	SN-ST	SN-ST
Noise level dB(A) re 1 pW	36	35	35	35
Noise emission class	C	B	B	B
Additional accessories included	3 x egg tray, 1 x ice cube tray, 1 x bottle holder in door tray	3 x egg tray, 1 x ice cube tray	3 x egg tray, 1 x ice cube tray	3 x egg tray, 1 x ice cube tray
Height of product (mm)	1772	1772	1772	1772
Width of product (mm)	558	558	541	541
Depth of product (mm)	545	545	548	548

• = yes - = no
¹ Actual energy consumption will depend on how the appliance is used and where it is located
² Climate zone SN = designed to operate in ambient temperature of +10°C to 32°C
 Climate zone T = designed to operate in ambient temperature of +18°C to 43°C

TYPE	BOTTOM FREEZER	BOTTOM FREEZER	BOTTOM FREEZER	BOTTOM FREEZER	BOTTOM FREEZER
DESIGN FAMILY	SERIES 4	SERIES 2	SERIES 2	SERIES 2	SERIES 2
MODEL NUMBER	KIN86VSE0G	KIN86NFF0G	KIN86NSF0G	KIN85NFF0G	KIN85NSF0G
Fridge / Freezer split	60 / 40	60 / 40	60 / 40	50 / 50	50 / 50
No Frost	•	•	•	•	•
Low Frost or Manual defrost	-	-	-	-	-
Soft Close hinge	-	-	-	-	-
Type of hinge (reversible)	Sliding hinge	Fixed hinge	Sliding hinge	Fixed hinge	Follow-door
Home Connect	-	-	-	-	-
FOOD FRESHNESS SYSTEM					
VitaFresh	1 VitaFresh plus drawer	MultiBox	MultiBox	MultiBox	MultiBox
KEY FEATURES – FRIDGE SECTION					
Light	LED	LED	LED	LED	LED
Super Cool	-	-	-	-	-
Type of control	Electronic	Electronic	Electronic	Electronic	Electronic
Number of shelves	3	4	4	3	3
Number of adjustable shelves	3	3	3	2	2
Number of door bins / shelves	3	3	3	2	2
Type of shelves	Safety glass	Safety glass	Safety glass	Safety glass	Safety glass
Temperature display	Digital LED	Digital LED	Digital LED	Digital LED	Digital LED
Warning signal door open	Visual / acoustic	Visual / acoustic	Visual / acoustic	Visual / acoustic	Visual / acoustic
Bottle shelves in fridge	•	-	-	-	-
KEY FEATURES – FREEZER SECTION					
Door opened indicator	Visual and audible	Visual and audible	Visual and audible	Visual and audible	Visual and audible
Super Freeze function	•	•	•	•	•
Temperature adjustable in freezer	-	-	-	-	-
Number of ice cube trays	1	1	1	1	1
Number of freezer drawers	3	3	3	4	4
ADDITIONAL INFORMATION					
Energy efficiency class					
Energy consumption annual kWh ¹	234 kWh/a	293 kWh/a	293 kWh/a	298 kWh/a	298 kWh/a
Total net capacity (litres)	260	260	260	249	249
Refrigerator net capacity 4°C - 8°C (litres)	184	184	184	150	150
Refrigerator net capacity 0°C (litres)	0	0	0	0	0
Freezer net capacity (litres)	76	76	76	99	99
Climate class ²	SN-ST	SN-ST	SN-ST	SN-ST	SN-ST
Noise level dB(A) re 1 pW	35	39	39	39	39
Noise emission class	B	C	C	C	C
Additional accessories included	3 x egg tray, 1 x ice cube tray	3 x egg tray, 1 x ice cube tray	3 x egg tray, 1 x ice cube tray	2 x ice packs, 3 x egg trays, 1 x ice cube tray, 1 x ice cube tray with lid	3 x egg tray, 1 x ice cube tray
Height of product (mm)	1770	1772	1772	1772	1772
Width of product (mm)	540	541	541	541	541
Depth of product (mm)	550	548	548	548	548

• = yes - = no
¹ Actual energy consumption will depend on how the appliance is used and where it is located
² Climate zone SN = designed to operate in ambient temperatures of +10°C to 32°C
 Climate zone T = designed to operate in ambient temperatures of +18°C to 43°C

5 year warranty - Offer dates 01.04.23 – 31.03.24. T&C's apply. Online registration required. Selected models only.

All models comply with COMMISSION REGULATION (EC) No 1275/2008 with regard to ecodesign requirements for standby and off mode electric power consumption.

Low Frost bottom freezers

Low Frost & static bottom freezers



TYPE	BOTTOM FREEZER	BOTTOM FREEZER	BOTTOM FREEZER
DESIGN FAMILY	SERIES 6	SERIES 6	SERIES 4
MODEL NUMBER	KIS87AFE0G	KIS86AFE0G	KIV87VFE0G
Fridge / Freezer split	70 / 30	60 / 40	70 / 30
No Frost	-	-	-
Low Frost or Manual defrost	Low Frost	Low Frost	Low Frost
Soft Close hinge	-	-	-
Type of hinge (reversible)	Fixed hinge	Fixed hinge	Fixed hinge
Home Connect	-	-	-
FOOD FRESHNESS SYSTEM			
VitaFresh	1 VitaFresh plus drawer	1 VitaFresh plus drawer	1 vegetable drawer
KEY FEATURES – FRIDGE SECTION			
Light	LED	LED	LED
Super Cool function	●	●	-
Type of control	Electronic	Electronic	Electronic
Number of shelves	5	5	5
Number of adjustable shelves	4	4	4
Number of door bins / shelves	5	5	4
Type of shelves	Safety glass	Safety glass	Safety glass
Temperature display	Digital 7 segment	Digital 7 segment	Digital LED
Warning signal door open	Acoustic	Acoustic	Acoustic
Bottle shelves in fridge	-	-	1 bottle support grid
KEY FEATURES – FREEZER SECTION			
Door opened indicator	Visual and audible	-	No signal
Super Freeze function	●	●	●
Temperature adjustable in freezer	●	●	-
Number of ice cube trays	1	1	1
Number of freezer drawers	2	3	2
ADDITIONAL INFORMATION			
Energy efficiency class			
Energy consumption annual kWh ¹	225 kWh/a	218 kWh/a	274 kWh/a
Total net capacity (litres)	270	265	271
Refrigerator net capacity 4°C- 8°C (litres)	209	191	201
Refrigerator net capacity 0°C (litres)	0	0	0
Freezer net capacity (litres)	63	74	70
Climate class ²	SN-T	SN-ST	SN-T
Noise level dB(A) re 1 pW	36	36	35
Noise emission class	C	C	B
Additional accessories included	3 x egg tray, 1 x ice cube tray, 1 x bottle holder in door tray	2 x ice packs, 3 x egg trays, 1 x ice cube tray, 1 x ice cube tray with lid, 1 x bottle holder in door tray	2 x ice packs, 3 x egg trays, 1 x ice cube tray, 1 x ice cube tray with lid
Height of product (mm)	1772	1772	1772
Width of product (mm)	558	558	541
Depth of product (mm)	545	545	548

● = yes - = no
¹ Actual energy consumption will depend on how the appliance is used and where it is located
² Climate zone SN = designed to operate in ambient temperatures of +10°C to 32°C
 Climate zone T = designed to operate in ambient temperatures of +18°C to 43°C

TYPE	BOTTOM FREEZER	BOTTOM FREEZER	BOTTOM FREEZER
DESIGN FAMILY	SERIES 4	SERIES 4	SERIES 2
MODEL NUMBER	KIV87VSE0G	KIV86VSE0G	KIV87NSF0G
Fridge / Freezer split	70 / 30	60 / 40	70 / 30
No Frost	-	-	-
Low Frost or Manual defrost	Low Frost	Low Frost	Low Frost
Soft Close hinge	-	-	-
Type of hinge (reversible)	Sliding hinge	Sliding hinge	Sliding hinge
Home Connect	-	-	-
FOOD FRESHNESS SYSTEM			
VitaFresh	1 vegetable drawer	1 vegetable drawer	1 vegetable drawer
KEY FEATURES – FRIDGE SECTION			
Light	LED	LED	LED
Super Cool function	-	-	-
Type of control	Electronic	Electronic	Electronic
Number of shelves	5	4	5
Number of adjustable shelves	4	3	4
Number of door bins / shelves	4	3	4
Type of shelves	Safety glass	Safety glass	Safety glass
Temperature display	Digital LED	Digital LED	Digital LED
Warning signal door open	Acoustic	Acoustic	Acoustic
Bottle shelves in fridge	1 bottle support grid	1 bottle support grid	-
KEY FEATURES – FREEZER SECTION			
Door opened indicator	No signal	No signal	No signal
Super Freeze function	●	●	●
Temperature adjustable in freezer	-	-	-
Number of ice cube trays	1	1	1
Number of freezer drawers	2	3	2
ADDITIONAL INFORMATION			
Energy efficiency class			
Energy consumption annual kWh ¹	274 kWh/a	274 kWh/a	277 kWh/a
Total net capacity (litres)	271	269	268
Refrigerator net capacity 4°C- 8°C (litres)	201	184	199
Refrigerator net capacity 0°C (litres)	0	0	0
Freezer net capacity (litres)	70	85	69
Climate class ²	SN-T	SN-T	SN-ST
Noise level dB(A) re 1 pW	35	35	39
Noise emission class	B	B	C
Additional accessories included	2 x ice packs, 3 x egg trays, 1 x ice cube tray with lid	2 x ice packs, 3 x egg trays, 1 x ice cube tray, 1 x ice cube tray with lid	3 x egg trays, 1 x ice cube tray
Height of product (mm)	1772	1772	1772
Width of product (mm)	541	541	541
Depth of product (mm)	548	548	548

● = yes - = no
¹ Actual energy consumption will depend on how the appliance is used and where it is located
² Climate zone SN = designed to operate in ambient temperatures of +10°C to 32°C
 Climate zone T = designed to operate in ambient temperatures of +18°C to 43°C



TYPE	FRIDGE 177CM	FRIDGE 177CM	FRIDGE 177CM	FRIDGE 177CM
DESIGN FAMILY	SERIES 8	SERIES 8	SERIES 6	SERIES 6
MODEL NUMBER	KIF82PFF0	KIF81PFE0	KIR81AFE0G	KIL82AFF0G
No Frost	-	-	-	-
Low Frost or Manual defrost	-	-	-	-
Soft Close hinge	-	-	-	-
Type of hinge (reversible)	Fixed hinge	Fixed hinge	Fixed hinge	Fixed hinge
Home Connect	-	-	-	-
FOOD FRESHNESS SYSTEM				
VitaFresh / Fresh Safe / hyperFresh	3 VitaFresh Premium 0° drawers	3 VitaFresh Pro 0° degree drawers	2 VitaFresh Plus drawers, 1 with telescopic rails	2 VitaFresh Plus drawers, 1 with telescopic rails
KEY FEATURES – FRIDGE SECTION				
Light	LED	LED	LED	LED
Super Cool function	●	●	●	●
Type of control	1 x 7 segment	1 x 7 segment	1 x 7 segment	1 x 7 segment
Number of shelves	6	7	7	5
Number of adjustable shelves	5	6	6	4
Number of door bins / shelves	5	5	6	5
Type of shelves	Safety glass	Plastic / Glass	Plastic / Glass	Plastic / Glass
Temperature display	Digital	Digital	Digital	Digital
Warning signal door open	●	●	●	●
Defrost system in fridge	Automatic	Automatic	Automatic	Automatic
Bottle shelves in fridge	-	-	1 bottle support grid	-
KEY FEATURES – FREEZER SECTION				
Light in freezer	-	-	-	-
Warning signal door open	-	-	-	-
Super Freeze function	-	-	-	-
Temperature adjustable in freezer	-	-	-	-
Number of ice cube trays	1 ice cube tray	-	-	1
Number of freezer flaps	1	-	-	1
Number of freezer drawers	-	-	-	-
ADDITIONAL INFORMATION				
Energy efficiency class				
Energy consumption annual kWh ¹	220 kWh/a	132 kWh/a	115 kWh/a	209 kWh/a
Total net capacity litres including 0°C drawers (litres)	269	289	319	286
Refrigerator net capacity 0°C (litres)	254	289	319	252
Freezer net capacity (litres)	15	0	0	341
Climate class ²	SN-T	SN-T	SN-T	SN-ST
Noise level dB(A) re 1 pW	37 dB	37 dB	37 dB	30 dB
Noise emission class	C	C	C	C
Additional accessories included	3 x egg tray, 1 x ice cube tray, 1 x bottle holder in door tray	3 x egg trays, 1 x bottle holder in door tray	3 x egg trays	3 x egg trays, 1 x ice cube tray
Height of product (mm)	1772	1772	1772	1772
Width of product (mm)	558	558	558	558
Depth of product (mm)	545	545	545	545

FRIDGE 177CM	FRIDGE 177CM	FREEZER 177CM	FREEZER 177CM	FRIDGE 122CM	FRIDGE 122CM
SERIES 4	SERIES 4	SERIES 8	SERIES 8	SERIES 4	SERIES 2
KIR81VSFOG	KIL82VSFO	GIN81HCE0G	GIN81AEFOG	KIR41VFE0G	KIR41NSE0G
-	-	●	●	-	-
-	-	-	-	-	-
-	-	-	-	-	-
Sliding hinge	Sliding hinge	Fixed hinge	Fixed hinge	Fixed hinge	Sliding hinge
-	-	●	-	-	-
FOOD FRESHNESS SYSTEM					
2 vegetable drawers	2 vegetable drawers	-	-	1 vegetable drawer	1 vegetable drawer
KEY FEATURES – FRIDGE SECTION					
LED	LED	-	-	LED	LED
●	●	-	-	●	-
1 x LED chain	1 x LED chain	-	-	1 x 7 segment	1 x LED chain
7	5	-	-	5	5
6	4	-	-	4	4
6	5	-	-	4	4
Plastic / Glass	Glass	-	-	Glass	Glass
Digital	Digital	-	-	Digital	-
-	-	-	-	●	-
Automatic	Automatic	Automatic	Automatic	Automatic	Automatic
-	-	-	-	-	-
KEY FEATURES – FREEZER SECTION					
-	-	-	-	-	-
-	-	Visual and audible	Visual and audible	-	Acoustic
-	-	●	●	-	-
-	-	●	●	-	-
-	1	1	1	-	-
-	1	2	2	-	-
-	-	5	5	-	-
ADDITIONAL INFORMATION					
116 kWh/a	209 kWh/a	243 kWh/a	243 kWh/a	123 kWh/a	101 kWh/a
319	286	212	212	204	204
319	286	-	-	211	204
-	-	212	212	-	-
SN-T	SN-T	SN-T	SN-T	SN-ST	SN-ST
37 dB	39 dB	35 dB	36 dB	35 dB	35 dB
C	C	B	C	B	B
3 x egg trays	3 x egg trays, 1 x ice cube tray	1 x ice cube tray	2 x egg tray	3 x egg tray	3 x egg tray
1772	1772	1772	1772	1221	1221
541	541	558	558	541	541
545	545	545	545	548	548

● = yes - = no
¹ Actual energy consumption will depend on how the appliance is used and where it is located
² Climate zone SN = designed to operate in ambient temperatures of +10°C to 32°C
 Climate zone T = designed to operate in ambient temperatures of +18°C to 43°C

● = yes - = no
¹ Actual energy consumption will depend on how the appliance is used and where it is located
² Climate zone SN = designed to operate in ambient temperatures of +10°C to 32°C
 Climate zone T = designed to operate in ambient temperatures of +18°C to 43°C

5 year warranty - Offer dates 01.04.23 – 31.03.24. T&C's apply. Online registration required. Selected models only.
 For full specification details, please log onto our website and download a full specification sheet.



Available from October 2023

TYPE	FRIDGE 122CM	FRIDGE 88CM	FRIDGE 88CM	FREEZER 87CM
DESIGN FAMILY	SERIES 2	SERIES 4	SERIES 2	SERIES 6
MODEL NUMBER	KIL42NSE0G	KIR21VFE0G	KIR21NSE0G	GIV21AFE0
No Frost	-	-	-	-
Low Frost or Manual defrost	-	-	-	Low Frost
Soft Close hinge	-	-	-	-
Type of hinge (reversible)	Fixed hinge	Fixed hinge	Sliding hinge	Fixed hinge
Home Connect	-	-	-	-
FOOD FRESHNESS SYSTEM				
VitaFresh / Fresh Safe / hyperFresh	MultiBox	1 vegetable drawer	1 vegetable drawer	-
KEY FEATURES – FRIDGE SECTION				
Light	LED	LED	LED	-
Super Cool function	●	●	●	-
Type of control	1 x 7 segment	1 x 7 segment	Non (mechanical)	-
Number of shelves	4	3	3	-
Number of adjustable shelves	3	2	2	-
Number of door bins / shelves	4	2	2	-
Type of shelves	Glass	Glass	Glass	-
Temperature display	Digital	Digital	-	-
Warning signal door open	●	●	●	-
Defrost system in fridge	Automatic	Automatic	Automatic	-
Bottle shelves in fridge	-	-	-	-
KEY FEATURES – FREEZER SECTION				
Light in freezer	LED	LED	-	-
Warning signal door open	-	-	-	Visual and audible
Super Freeze function	-	-	-	●
Temperature adjustable in freezer	-	-	-	●
Number of ice cube trays	1	-	-	1
Number of freezer flaps	1	-	-	-
Number of freezer drawers	-	-	-	4
ADDITIONAL INFORMATION				
Energy efficiency class				
Energy consumption annual kWh ¹	75 kWh/a	117 kWh/a	118 kWh/a	157 kWh/a
Total net capacity including 0°C drawers (litres)	187	136	136	97
Refrigerator net capacity 0°C (litres)	144	144	150	-
Freezer net capacity (litres)	-	-	-	102
Climate class ²	SN-ST	SN-ST	SN-ST	SN-ST
Noise level dB(A) re 1 pW	35 dB	35 dB	35 dB	36 dB
Noise emission class	B	B	B	C
Additional accessories included	3 x egg tray, 1 x ice cube tray	3 x egg tray, 1 x bottle support	3 x egg tray	1 x ice cube tray
Height of product (mm)	1221	874	874	874
Width of product (mm)	541	541	541	541
Depth of product (mm)	548	548	548	548

● = yes - = no
¹ Actual energy consumption will depend on how the appliance is used and where it is located
² Climate zone SN = designed to operate in ambient temperatures of +10°C to 32°C
 Climate zone T = designed to operate in ambient temperatures of +18°C to 43°C

FREEZER 87CM	BUILT-UNDER FRIDGE 82CM	BUILT-UNDER FRIDGE 82CM	BUILT-UNDER FREEZER 82CM
SERIES 4	SERIES 6	SERIES 6	SERIES 6
GIV21VSE0G	KUL15AFF0G	KUR15AFF0G	GUN21VFE0G
-	-	-	●
Low Frost	-	-	-
-	-	-	-
Sliding hinge	Fixed hinge	Fixed hinge	Fixed hinge
-	-	-	-
FOOD FRESHNESS SYSTEM			
-	1 vegetable drawer	1 vegetable drawer	-
KEY FEATURES – FRIDGE SECTION			
-	LED	LED	-
-	-	-	-
-	Non (mechanical)	Non (mechanical)	-
-	2	3	-
-	1	3	-
-	3	3	-
-	Glass	Plastic / Glass	-
-	-	-	-
-	-	-	-
-	Automatic	Automatic	-
-	-	-	-
KEY FEATURES – FREEZER SECTION			
-	-	-	-
Visual and audible	-	-	Audible
●	-	-	●
●	-	-	●
1	1	-	1
-	1	-	-
4	-	-	3
ADDITIONAL INFORMATION			
157 kWh/a	140 kWh/a	92 kWh/a	190 kWh/a
97	123	137	106
-	108	137	-
102	15	-	106
SN-ST	SN-ST	SN-ST	SN-ST
36 dB	38 dB	38 dB	35 dB
C	C	C	B
1 x ice cube tray	1 x egg tray, 1 x ice cube tray	1 x egg tray	1 x ice cube tray, 2 x small ice packs
874	820	820	820
541	598	598	598
542	548	548	548

● = yes - = no
¹ Actual energy consumption will depend on how the appliance is used and where it is located
² Climate zone SN = designed to operate in ambient temperatures of +10°C to 32°C
 Climate zone T = designed to operate in ambient temperatures of +18°C to 43°C

All models comply with COMMISSION REGULATION (EC) No 1275/2008 with regard to ecodesign requirements for standby and off mode electric power consumption.

For full specification details, please log onto our website and download a full specification sheet.



TYPE	BUILT UNDER	BUILT UNDER
DESIGN FAMILY	SERIES 6	SERIES 6
MODEL NUMBER	KUW21AHG0G	KUW20VHFOG
Colour of side panels	Black	Black
Type of glass door	3 glass panels, UV-filtered	3 glass panels, UV-filtered
Style of handle	Vertical bar handle	Vertical bar handle
Colour of handle	Black	Black
Type of hinge (reversible)	Not fixed	Not fixed
Home connect	-	-
KEY FEATURES		
Range of temperature (°C)	5 - 20	5 - 20
Temperature zones	2	1
Light	LED	LED
Type of control	Digital	Digital
Number of shelves	5	4
Number of oak shelves	3	3
Number of adjustable shelves	-	-
Presenter shelf and lighting	-	-
Capacity in 0.75l (Bordeaux bottles)	44	21
Warning signal door open	●	●
Child lock	-	-
ADDITIONAL INFORMATION		
Energy efficiency class		
Energy consumption annual kWh ¹	130	100
Refrigerator net capacity (litres)	108	56
Climate class ²	SN-ST	SN-ST
Noise level dB(A) re 1 pW	38	38
Noise emission class	C	C
Height of product (mm)	818	818
Width of product (mm)	598	298
Depth of product (mm)	581	567

● = yes - = no

¹Actual energy consumption will depend on how the appliance is used and where it is located. ²Climate zone SN = designed to operate in ambient temperatures of +10°C to 32°C. Climate zone T = designed to operate in ambient temperatures of +18°C to 43°C.

Multi-door fridge freezers



TYPE	FRENCH	MULTI-DOOR	MULTI-DOOR	MULTI-DOOR
DESIGN FAMILY	SERIES 8	SERIES 6	SERIES 6	SERIES 4
MODEL NUMBER	KFF96PIEP	KFN96AXEA	KFN96APEAG	KFN96VPEAG
Colour of door panels	Inox, easy clean	Stainless steel, easy clean	Stainless steel, easy clean	Stainless steel, easy clean
Colour of sides	Inox	Cast iron	Cast iron	Grey
Style of handle	Horizontal and vertical bar handle	Horizontal and vertical bar handle	Horizontal and vertical bar handle	Horizontal and vertical bar handle
Colour of handle	Stainless steel	Black	Black	Black
No Frost in fridge and freezer	•	•	•	•
Home Connect, WiFi dongle included	• / -	• / -	• / -	-
FOOD FRESHNESS SYSTEM				
VitaFresh / Fresh Safe / hyperFresh	3 VitaFresh plus drawers with telescopic rails, 1 Chiller drawer	1 VitaFresh plus drawer with telescopic rails, 1 BigBox drawer with telescopic rails, 1 Chiller drawer	1 VitaFresh plus drawer with telescopic rails, 1 BigBox drawer with telescopic rails, 1 Chiller drawer	BigBox drawer, 1 Chiller drawer
KEY FEATURES – FRIDGE SECTION				
Light source	LED	LED	LED	LED
Water dispenser	Internal	-	-	-
SuperCool	•	•	•	•
Type of control	Electronic	Electronic	Electronic	Electronic
Number of shelves	4	4	4	3
Number of adjustable shelves	3	3	3	2
Shelves for bottles	1	-	-	-
Number of door bins / shelves	6	4	5	4
Temperature display	Digital	Digital 7 segment	Digital 7 segment	Digital 7 segment
Warning signal door open	Visual and audible	Visual and audible	Visual and audible	Visual and audible
KEY FEATURES – FREEZER SECTION				
Door opened indicator	Visual and audible	Visual and audible	Visual and audible	Visual and audible
Super Freeze function	•	•	•	•
Temperature adjustable in freezer	•	•	•	•
Number of ice cube trays	Automatic ice cube maker	1	-	-
Ice dispenser features	Internal, Ice cubes	-	-	-
Number of freezer drawers	3	6	6	6
ADDITIONAL INFORMATION				
Energy efficiency class	A G E	A G E	A G E	A G E
Energy consumption annual kWh ¹	333 kWh/a	333 kWh/a	333 kWh/a	333 kWh/a
Total net capacity (litres)	573	605	605	605
Refrigerator net capacity (litres)	402	405	405	405
Freezer net capacity (litres)	171	200	200	200
Climate class ²	SN-T	SN-T	SN-T	SN-T
Noise level dB(A) re 1 pW	39 dB	38 dB	38 dB	38 dB
Noise emission class	C	C	C	C
Additional accessories included	-	3 x egg tray	3 x egg tray	3 x egg tray
Height of product (mm)	1830	1830	1830	1830
Width of product (mm)	905	905	905	905
Depth of product (mm)	706	731	731	731

5 year warranty - Offer dates 01.04.23 - 31.03.24. T&C's apply. Online registration required. Selected models only.

• = yes - = no
¹Actual energy consumption will depend on how the appliance is used and where it is located.
²Climate zone SN = designed to operate in ambient temperatures of +10°C to 32°C.
 Climate zone T = designed to operate in ambient temperatures of +18°C to 43°C.

American fridge freezers



AMERICAN	AMERICAN	AMERICAN	AMERICAN	AMERICAN
SERIES 6	SERIES 6	SERIES 6	SERIES 6	SERIES 4
KAG93AIEPG	KAD93VIFPG	KAD93VBFPG	KAI93VIFPG	KAN93VIFPG
Stainless steel, easy clean	Stainless steel, easy clean	Black	Stainless steel, easy clean	Stainless steel, easy clean
Grey	Grey	Grey	Grey	Grey
Vertical bar handle	Vertical bar handle	Vertical bar handle	Vertical bar handle	Vertical bar handle
Stainless steel	Stainless steel	Stainless steel	Stainless steel	Stainless steel
•	•	•	•	•
-	-	-	-	-
2 MultiBox drawer on rails	2 MultiBox drawers on rails	2 MultiBox drawers on rails	2 MultiBox drawers on rails	2 MultiBox drawers on rails
LED	LED	LED	LED	LED
•	•	•	•	•
•	•	•	•	•
Electronic	Electronic	Electronic	Electronic	Electronic
5	5	5	5	5
•	-	-	-	-
1	-	-	-	-
5	-	-	-	-
Digital	Digital	Digital	Digital	Digital
Visual and acoustic	Visual and acoustic	Visual and audible	Visual and audible	Visual and audible
-	-	Visual and audible	Visual and audible	Visual and audible
•	•	•	•	•
•	•	•	•	•
Automatic ice cube maker	Automatic ice cube maker	Automatic ice cube maker	Automatic ice cube maker	-
Crushed ice, Homebar, Ice cubes, Water, Water filter	Crushed ice, Ice cubes, Water, Water filter	Crushed ice, Ice cubes, Water, Water filter	Crushed ice, Ice cubes, Water	-
2	2	2	2	-
A G E	A G F	A G F	A G F	A G F
343 kWh/a	436 kWh/a	436 kWh/a	343 kWh/a	363 kWh/a
531	533	533	533	560
366	368	368	371	371
191	191	191	165	208
SN-T	SN-T	SN-T	SN-T	SN-T
42 dB	42 dB	42 dB	42 dB	42 dB
D	D	D	D	D
1 x connection hose, 1 x egg tray	1 x connection hose, 1 x egg tray	1 x connection hose, 1 x egg tray	1 x egg tray	1 x egg tray
1787	1787	1787	1787	1787
908	908	908	908	908
707	707	707	707	707

All models comply with COMMISSION REGULATION (EC) No 1275/2008 with regard to ecodesign requirements for standby and off mode electric power consumption.

• = yes - = no
¹Actual energy consumption will depend on how the appliance is used and where it is located.
²Climate zone SN = designed to operate in ambient temperatures of +10°C to 32°C.
 Climate zone T = designed to operate in ambient temperatures of +18°C to 43°C.



TYPE	FRIDGE FREEZER	FRIDGE FREEZER	FRIDGE FREEZER
DESIGN FAMILY	SERIES 6	SERIES 6	SERIES 4
MODEL	KGB86AIFP	KGN86AIDR	KGN86VIEA
Colour	Stainless steel look	Stainless steel look	Stainless steel look
DESIGN FEATURES			
Fridge / Freezer split	70 / 30	70 / 30	70 / 30
Frost-free system	No Frost	No Frost	No Frost
Colour of side panels	Chrome inox metallic	Chrome inox metallic	Chrome inox metallic
Door handle type	Vertical bar	Vertical	Integrated
Temperature display	Exterior / Digital LCD	Exterior / Digital LCD	Interior / Digital LCD
Reversible door, hinged on right	•	•	•
Latest Condenser Technology	•	•	•
Home Connect / Built in cameras	• / -	• / -	-
FOOD FRESHNESS SYSTEM			
Food preservation container	2 x VitaFresh 0°C drawers, 2 x VitaFresh vegetable drawers	1 x VitaFresh 0°C drawers, 1 x VitaFresh vegetable drawers	1 x VitaFresh 0°C drawers, 1 x VitaFresh vegetable drawers
KEY FEATURES – FRIDGE SECTION			
LED light	•	•	•
Super Cool function	•	•	•
Bottle rack	1	•	•
Number of glass safety shelves	3	3	3
Number of adjustable shelves	2	2	2
Number of door bins large / small	1 / 5	1 / 3	1 / 3
Dairy compartment	2	2	-
Number of egg racks	3	3	3
KEY FEATURES – FREEZER SECTION			
Number of freezer drawers including BigBox / EasyAccess	Pull out drawers	2	2
Super Freeze function	•	•	•
Number of ice packs / ice cube trays	2	2 / 2	2 / 2
FUNCTIONS			
Door open warning signal / malfunction	•	•	•
Holiday mode	•	•	•
PERFORMANCE AND CONSUMPTION			
Energy efficiency class			
Annual energy consumption ¹ (kWh)	373	252	378
Total unit net capacity (litres)	613	619	619
Refrigerator net capacity including 0°C drawers (litres)	479	479	479
Freezer net capacity (litres)	134	140	140
Climate Class ²	SN-T	SN-T	SN-T
Noise level (dB(A) re 1 pW)	42	40	42
Noise Emission Class	D	C	D
Dimensions of the product (H x W x D) (cm)	186 x 86 x 81	186 x 86 x 81	186 x 86 x 81
EAN code	4242005254446	4242005209958	4242005248278

• = yes - = no

¹Actual energy consumption will depend on how the appliance is used and where it is located.

²Climate zone SN = designed to operate in ambient temperatures of +10°C to 32°C. Climate zone T = designed to operate in ambient temperatures of +18°C to 43°C.

TYPE	FRIDGE FREEZER	FRIDGE FREEZER	FRIDGE FREEZER	FRIDGE FREEZER
DESIGN FAMILY	SERIES 4	SERIES 4	SERIES 4	SERIES 6
MODEL	KGN497WDFG	KGN390XBT	KGN39VXBT	KGN39AIAT
Colour	White	Black	Black stainless steel	Stainless steel
DESIGN FEATURES				
Fridge / Freezer split	70 / 30	70 / 30	70 / 30	60 / 40
Frost-free system	No Frost	No Frost	No Frost	No Frost
Colour of side panels	Chrome inox metallic	White	Chrome inox metallic	Chrome inox metallic
Door handle type	Integrated Vertical	Vertical Bar	Vertical Bar	Vertical Bar
Temperature display	Exterior / Digital LED	Interior / Digital LED	Interior / Digital LED	Interior / Digital LED
Reversible door, hinged on right	•	•	-	•
Latest Condenser Technology	•	•	•	•
Home Connect / Built in cameras	-	-	-	-
FOOD FRESHNESS SYSTEM				
Food preservation container	1 x VitaFresh 0°C drawers, 1 x VitaFresh vegetable drawer	1 x VitaFresh 0°C drawers, 1 x VitaFresh vegetable drawer	1 x VitaFresh Plus 0°C drawer, 1 x VitaFresh Plus vegetable drawer	1 x VitaFresh 0°C drawers, 1 x VitaFresh vegetable drawer
KEY FEATURES – FRIDGE SECTION				
LED light	•	•	•	•
Super Cool function	•	•	•	•
Bottle rack	•	•	•	•
Number of glass safety shelves	4	5	5	5
Number of adjustable shelves	3	4	3	3
Number of door bins large / small	1 / 3	1 / 3	1 / 3	1 / 3
Dairy compartment	-	-	•	-
Number of egg racks	3	3	3	3
KEY FEATURES – FREEZER SECTION				
Number of freezer drawers including BigBox / EasyAccess	2	3	3	3
Super Freeze function	•	•	•	•
Number of ice packs / ice cube trays	2 / 1	- / 1	2 / 1	- / 1
FUNCTIONS				
Door open warning signal / malfunction	•	•	•	•
Holiday mode	-	-	•	-
PERFORMANCE AND CONSUMPTION				
Energy efficiency class				
Annual energy consumption ¹ (kWh)	222	129	129	129
Total unit net capacity (litres)	440	363	363	363
Refrigerator net capacity including 0°C drawers (litres)	400	330	279	279
Freezer net capacity (litres)	108	108	89	89
Climate Class ²	SN-T	SN-T	SN-T	SN-T
Noise level (dB(A) re 1 pW)	35	33	33	29
Noise Emission Class	B	B	B	A
Dimensions of the product (H x W x D) (cm)	193 x 70 x 80	203 x 60 x 66.5	203 x 60 x 66.5	203 x 60 x 66.5
EAN code	4242005348619	4242005378371	4242005334292	4242005325443

• = yes - = no

¹Actual energy consumption will depend on how the appliance is used and where it is located. ²Climate zone SN = designed to operate in ambient temperatures of +10°C to 32°C. Climate zone T = designed to operate in ambient temperatures of +18°C to 43°C.

5 year warranty - Offer dates 01.04.23 – 31.03.24. T&C's apply. Online registration required. Selected models only.

For full specification details, please log onto our website and download a full specification sheet.



TYPE	FRIDGE FREEZER	FRIDGE FREEZER	FRIDGE FREEZER	FRIDGE FREEZER
DESIGN FAMILY	SERIES 6	SERIES 4	SERIES 4	SERIES 4
MODEL	KGN39AWCTG	KGN397LDFG	KGN392LDFG	KGN392WDFG
Door colour	White	Inox look	Inox look	White
DESIGN FEATURES				
Fridge / Freezer split	60 / 40	70 / 30	70 / 30	70 / 30
Frost-free system	No Frost	No Frost	No Frost	No Frost
Colour of side panels	White	Inox look	Inox look	White
Door handle type	Vertical Bar	Integrated Vertical	Integrated Vertical	Integrated Vertical
Temperature display	Exterior / Digital LED	Exterior / Digital LED	Interior / Digital LED	Interior / Digital LED
Reversible door, hinged on right	•	•	•	•
Latest Condenser Technology	•	•	•	•
Home Connect / Built in cameras	-	-	-	-
FOOD FRESHNESS SYSTEM				
Food preservation container	1 x VitaFresh 0°C drawers, 1 x VitaFresh vegetable drawer	1 x VitaFresh 0°C drawers, 1 x VitaFresh vegetable drawer	1 x VitaFresh 0°C drawers, 1 x VitaFresh vegetable drawer	1 x VitaFresh 0°C drawers, 1 x VitaFresh vegetable drawer
KEY FEATURES – FRIDGE SECTION				
LED light	•	•	•	•
Super Cool function	•	•	•	•
Bottle rack	•	•	•	•
Number of glass safety shelves	5	5	5	5
Number of adjustable shelves	3	3	3	3
Number of door bins large / small	1 / 3	1 / 3	1 / 3	1 / 3
Dairy compartment	•	•	•	•
Number of egg racks	3	3	3	3
KEY FEATURES – FREEZER SECTION				
Number of freezer drawers including BigBox / EasyAccess	3	3	3	3
Super Freeze function	•	•	•	•
Number of ice packs / ice cube trays	- / 1	- / 1	- / 1	- / 1
FUNCTIONS				
Door open warning signal / malfunction	•	•	•	•
Holiday / Sabbath mode	•	•	- / •	- / •
PERFORMANCE AND CONSUMPTION				
Energy efficiency class				
Annual energy consumption ¹ (kWh)	162	202	202	202
Total unit net capacity (litres)	363	363	363	363
Refrigerator net capacity including 0°C drawers (litres)	279	280	280	280
Freezer net capacity (litres)	89	119	119	119
Climate Class ²	SN-T	SN-T	SN-T	SN-T
Noise level (dB(A) re 1 pW)	35	35	35	35
Noise Emission Class	B	B	B	B
Dimensions of the product (H x W x D) (cm)	203 x 60 x 66	203 x 60 x 66	203 x 60 x 66	203 x 60 x 66
EAN code	4242005281626	4242005307326	4242005284320	4242005281633

• = yes - = no
¹Actual energy consumption will depend on how the appliance is used and where it is located. ²Climate zone SN = designed to operate in ambient temperatures of +10°C to 32°C. Climate zone T = designed to operate in ambient temperatures of +18°C to 43°C.

5 year warranty - Offer dates 01.04.23 – 31.03.24. T&C's apply. Online registration required. Selected models only. For full specification details, please log onto our website and download a full specification sheet.

Explore more at bosch-home.co.uk / bosch-home.ie

TYPE	FRIDGE FREEZER	FRIDGE FREEZER	FRIDGE FREEZER	FRIDGE FREEZER
DESIGN FAMILY	SERIES 4	SERIES 4	SERIES 4	SERIES 4
MODEL	KGN362IDFG	KGN362LDFG	KGN36VLDTG	KGN362WDFG
Colour	Stainless steel	Inox look	Inox look	White
DESIGN FEATURES				
Fridge / Freezer split	70 / 30	70 / 30	70 / 30	70 / 30
Frost-free system	No Frost	No Frost	No Frost	No Frost
Colour of side panels	Chrome inox metallic	-	-	-
Door handle type	Integrated Vertical	Integrated Vertical	Vertical bar handle	Integrated Vertical
Temperature display	Interior / Digital LED	Interior / Digital LED	Interior / Digital LED	Interior / Digital LED
Reversible door, hinged on right	•	•	•	•
Latest Condenser Technology	•	•	•	•
Home Connect / Built in cameras	-	-	-	-
FOOD FRESHNESS SYSTEM				
Food preservation container	1 x VitaFresh 0°C drawers, 1 x VitaFresh vegetable drawer	1 x VitaFresh 0°C drawer, 1 x VitaFresh vegetable drawer	1 x VitaFresh 0°C drawer, 1 x VitaFresh vegetable drawer	1 x VitaFresh 0°C drawer, 1 x VitaFresh vegetable drawer
KEY FEATURES – FRIDGE SECTION				
LED light	•	•	•	•
Super Cool function	•	•	•	•
Bottle rack	•	•	•	•
Number of glass safety shelves	4	4	4	4
Number of adjustable shelves	2	2	2	2
Number of door bins large / small	1 / 2	1 / 2	1 / 2	1 / 2
Dairy compartment	•	•	•	•
Number of egg racks	3	3	3	3
KEY FEATURES – FREEZER SECTION				
Number of freezer drawers including BigBox / EasyAccess	3	3	3	3
Super Freeze function	•	•	•	•
Number of ice packs / ice cube trays	- / •	- / 1	- / 1	- / 1
FUNCTIONS				
Door open warning signal / malfunction	•	•	•	•
Holiday / Sabbath mode	- / •	- / •	- / •	- / •
PERFORMANCE AND CONSUMPTION				
Energy efficiency class				
Annual energy consumption ¹ (kWh)	199	199	199	199
Total unit net capacity (litres)	321	321	321	321
Refrigerator net capacity including 0°C drawers (litres)	218	218	218	218
Refrigerator 0°C net capacity (litres)	103	103	103	103
Freezer net capacity (litres)	103	103	103	103
Climate Class ²	SN-T	SN-T	SN-T	SN-T
Noise level (dB(A) re 1 pW)	35	35	35	35
Noise Emission Class	B	B	B	B
Dimensions of the product (H x W x D) (cm)	186 x 60 x 66	186 x 60 x 66	186 x 60 x 66	186 x 60 x 66
EAN code	4242005281596	4242005281589	4242005281565	4242005281640

• = yes - = no
¹Actual energy consumption will depend on how the appliance is used and where it is located. ²Climate zone SN = designed to operate in ambient temperatures of +10°C to 32°C. Climate zone T = designed to operate in ambient temperatures of +18°C to 43°C.

For full specification details, please log onto our website and download a full specification sheet.

Making **life easy** through innovative technologies



TYPE	FRIDGE FREEZER	FRIDGE FREEZER	FRIDGE FREEZER	FRIDGE FREEZER
DESIGN FAMILY	SERIES 2	SERIES 2	SERIES 2	SERIES 2
MODEL	KGN36NWEAG	KGN34NLEAG	KGN34NWEAG	KGN33NLEAG
Colour	White	Inox look	White	Inox look
DESIGN FEATURES				
Fridge / Freezer split	60 / 40	50 / 50	50 / 50	50 / 50
Frost-free system	No Frost	No Frost	No Frost	No Frost
Colour of side panels	White	Pearl grey	White	Pearl grey
Door handle type	Integrated Horizontal	Integrated Horizontal	Integrated Horizontal	Integrated Horizontal
Temperature display	Interior / Electronic LED	Interior / Electronic LED	Interior / Electronic LED	Interior / Electronic LED
Reversible door, hinged on right	●	●	●	●
Latest Condenser Technology	●	●	●	●
Home Connect / Built in cameras	-	-	-	-
FOOD FRESHNESS SYSTEM				
Food preservation container	1 x MultiBox vegetable drawer	1 x MultiBox vegetable drawer	1 x MultiBox vegetable drawer	1 x MultiBox vegetable drawer
KEY FEATURES – FRIDGE SECTION				
LED light	●	●	●	●
Super Cool function	-	-	-	-
Bottle rack	-	-	-	-
Number of glass safety shelves	4	4	4	3
Number of adjustable shelves	3	2	2	2
Number of door bins large / small	1 / 3	1 / 2	1 / 3	1 / 2
Dairy compartment	●	●	●	●
Number of egg racks	3	3	3	3
KEY FEATURES – FREEZER SECTION				
Number of freezer drawers including BigBox / EasyAccess	3	3	3	3
Super Freeze function	●	●	●	●
Number of ice packs / ice cube trays	- / -	- / 1	- / 1	-
FUNCTIONS				
Door open warning signal / malfunction	●	●	●	●
Holiday / Sabbath mode	-	-	-	-
PERFORMANCE AND CONSUMPTION				
Energy efficiency class				
Annual energy consumption ¹ (kWh)	235	242	242	228
Total unit net capacity (litres)	302	297	297	279
Refrigerator net capacity including 0°C drawers (litres)	193	193	192	193
Refrigerator 0°C net capacity (litres)	107	107	105	89
Freezer net capacity (litres)	107	107	105	89
Climate Class ²	SN-T	SN-T	SN-T	SN-T
Noise level (dB(A) re 1 pW)	42	42	42	42
Noise Emission Class	D	D	D	D
Dimensions of the product (H x W x D) (cm)	186 x 60 x 66	186 x 60 x 66	186 x 60 x 66	176 x 60 x 66
EAN code	4242005196685	4242005183326	4242005196722	4242005196500

● = yes - = no
¹Actual energy consumption will depend on how the appliance is used and where it is located. ²Climate zone SN = designed to operate in ambient temperatures of +10°C to 32°C. Climate zone T = designed to operate in ambient temperatures of +18°C to 43°C.

For full specification details, please log onto our website and download a full specification sheet.

Explore more at [bosch-home.co.uk](https://www.bosch-home.co.uk) / [bosch-home.ie](https://www.bosch-home.ie)

TYPE	FRIDGE FREEZER	FRIDGE FREEZER	FRIDGE FREEZER	FRIDGE FREEZER
DESIGN FAMILY	SERIES 2	SERIES 2	SERIES 2	SERIES 2
MODEL	KGN33NWEAG	KGN27NBEAG	KGN27NLEAG	KGN27NWEAG
Colour	White	Black	Inox look	White
DESIGN FEATURES				
Fridge / Freezer split	50 / 50	50 / 50	50 / 50	50 / 50
Frost-free system	No Frost	No Frost	No Frost	No Frost
Colour of side panels	White	Black	Chrome inox metallic	White
Door handle type	Integrated Horizontal	Integrated Vertical	Integrated Vertical	Integrated Vertical
Temperature display	Interior / Electronic LED	Interior / Electronic LED	-	-
Reversible door, hinged on right	●	●	●	-
Latest Condenser Technology	●	●	●	●
Home Connect / Built in cameras	-	-	-	-
FOOD FRESHNESS SYSTEM				
Food preservation container	1 x MultiBox vegetable drawer	1 x MultiBox 0°C drawer, 1 x VitaFresh vegetable drawer	1 x vegetable drawer	1 x vegetable drawer
KEY FEATURES – FRIDGE SECTION				
LED light	●	●	●	●
Super Cool function	-	-	-	-
Bottle rack	-	●	●	●
Number of glass safety shelves	3	4	3	3
Number of adjustable shelves	2	0	-	-
Number of door bins large / small	1 / 2	1 / 2	1 / 2	1 / 2
Dairy compartment	●	●	●	●
Number of egg racks	3	3	3	3
KEY FEATURES – FREEZER SECTION				
Number of freezer drawers including BigBox / EasyAccess	3	4	4	4
Super Freeze function	●	-	-	-
Number of ice packs / ice cube trays	-	- / 1	-	-
FUNCTIONS				
Door open warning signal / malfunction	●	-	-	-
Holiday / Sabbath mode	-	-	-	-
PERFORMANCE AND CONSUMPTION				
Energy efficiency class				
Annual energy consumption ¹ (kWh)	228	287	256	287
Total unit net capacity (litres)	279	255	-	256
Refrigerator net capacity including 0°C drawers (litres)	193	171	171	171
Refrigerator 0°C net capacity (litres)	89	84	84	86
Freezer net capacity (litres)	89	86	84	86
Climate Class ²	SN-T	SN-T	SN-T	SN-T
Noise level (dB(A) re 1 pW)	42	41	41	41
Noise Emission Class	D	C	C	C
Dimensions of the product (H x W x D) (cm)	176 x 60 x 66	182 x 55 x 56	182 x 55 x 56	182 x 55 x 56
EAN code	4242005196524	4242005417988	4242005417575	4242005417995

● = yes - = no
¹Actual energy consumption will depend on how the appliance is used and where it is located. ²Climate zone SN = designed to operate in ambient temperatures of +10°C to 32°C. Climate zone T = designed to operate in ambient temperatures of +18°C to 43°C.

For full specification details, please log onto our website and download a full specification sheet.

Making **life easy** through innovative technologies



TYPE	FRIDGE FREEZER	FRIDGE FREEZER	FRIDGE FREEZER
DESIGN FAMILY	SERIES 6	SERIES 6	SERIES 4
MODEL	KGE49AICAG	KGE49AWCAG	KGV39VLEAG
Colour	Stainless steel, easy clean	White	Inox look
DESIGN FEATURES			
Fridge / Freezer split	70 / 30	70 / 30	70 / 30
Frost-free system	Low Frost	Low Frost	Low Frost
Colour of side panels	Chrome inox metallic	White	Chrome inox metallic
Door handle type	Integrated Vertical	Integrated Vertical	Integrated Vertical
Temperature display	Interior / Digital LED	Interior / Digital LED	Interior / Electronic LED
Reversible door, hinged on right	●	●	●
Latest Condenser Technology	-	-	-
Home Connect / Built in cameras	-	-	-
FOOD FRESHNESS SYSTEM			
Food preservation container	1 x VitaFresh 0°C drawer, 1 x VitaFresh vegetable drawer	1 x VitaFresh 0°C drawer, 1 x VitaFresh vegetable drawer	1 x VitaFresh vegetable drawer
KEY FEATURES – FRIDGE SECTION			
LED light	●	●	●
Super Cool function	●	●	-
Bottle rack	●	●	●
Number of glass safety shelves	5	5	5
Number of adjustable shelves	2	2	2
Number of door bins large / small	1 / 3	1 / 3	1 / 3
Dairy compartment	●	●	●
Number of egg racks	3	3	3
KEY FEATURES – FREEZER SECTION			
Number of freezer drawers including BigBox / EasyAccess	3	3	3
Super Freeze function	●	●	●
Number of ice packs / ice cube trays	2 / -	2 / -	-
FUNCTIONS			
Door open warning signal / malfunction	●	●	-
Holiday / Sabbath mode	● / -	● / -	-
PERFORMANCE AND CONSUMPTION			
Energy efficiency class			
Annual energy consumption ¹ (kWh)	190	190	238
Total unit net capacity (litres)	413	413	342
Refrigerator net capacity including 0°C drawers (litres)	302	302	-
Refrigerator 0°C net capacity (litres)	28	28	89
Freezer net capacity (litres)	117	117	297
Climate Class ²	SN-T	SN-T	SN-T
Noise level (dB(A) re 1 pW)	38	38	39
Noise Emission Class	C	C	C
Dimensions of the product (H x W x D) (cm)	201 x 70 x 65	201 x 70 x 65	201 x 60 x 65
EAN code	4242005219056	4242005215935	4242005197620

● = yes - = no
¹Actual energy consumption will depend on how the appliance is used and where it is located. ²Climate zone SN = designed to operate in ambient temperatures of +10°C to 32°C. Climate zone T = designed to operate in ambient temperatures of +18°C to 43°C.

For full specification details, please log onto our website and download a full specification sheet.

TYPE	FRIDGE FREEZER	FRIDGE FREEZER	FRIDGE FREEZER
DESIGN FAMILY	SERIES 4	SERIES 4	SERIES 4
MODEL	KGV39VWEAG	KGV33VLEAG	KGV336WEAG
Colour	White	Inox look	White
DESIGN FEATURES			
Fridge / Freezer split	70 / 30	50 / 50	50 / 50
Frost-free system	Low Frost	Low Frost	Low Frost
Colour of side panels	White	Chrome inox metallic	White
Door handle type	Integrated Vertical	Integrated Vertical	Integrated Vertical
Temperature display	Interior / Electronic LED	Interior / Electronic LED	Interior / Electronic LED
Reversible door, hinged on right	●	●	●
Latest Condenser Technology	-	-	-
Home Connect / Built in cameras	-	-	-
FOOD FRESHNESS SYSTEM			
Food preservation container	1 x VitaFresh vegetable drawer	1 x VitaFresh vegetable drawer	1 x VitaFresh vegetable drawer
KEY FEATURES – FRIDGE SECTION			
LED light	●	●	●
Super Cool function	-	-	-
Bottle rack	●	●	●
Number of glass safety shelves	5	4	4
Number of adjustable shelves	-	2	2
Number of door bins large / small	1 / 3	1 / 2	2 / 1
Dairy compartment	●	●	●
Number of egg racks	3	3	3
KEY FEATURES – FREEZER SECTION			
Number of freezer drawers including BigBox / EasyAccess	3	3	3
Super Freeze function	●	●	●
Number of ice packs / ice cube trays	-	-	-
FUNCTIONS			
Door open warning signal / malfunction	-	-	-
Holiday / Sabbath mode	-	-	-
PERFORMANCE AND CONSUMPTION			
Energy efficiency class			
Annual energy consumption ¹ (kWh)	238	219	219
Total unit net capacity (litres)	368	287	-
Refrigerator net capacity including 0°C drawers (litres)	89	195	195
Refrigerator 0°C net capacity (litres)	-	-	287
Freezer net capacity (litres)	248	94	94
Climate Class ²	SN-T	SN-T	SN-T
Noise level (dB(A) re 1 pW)	39	39	39
Noise Emission Class	C	C	C
Dimensions of the product (H x W x D) (cm)	201 x 60 x 65	176 x 60 x 65	176 x 60 x 65
EAN code	4242005197712	4242005237159	4242005197330

● = yes - = no
¹Actual energy consumption will depend on how the appliance is used and where it is located. ²Climate zone SN = designed to operate in ambient temperatures of +10°C to 32°C. Climate zone T = designed to operate in ambient temperatures of +18°C to 43°C.

For full specification details, please log onto our website and download a full specification sheet.



TYPE	FRIDGE	FRIDGE	FRIDGE	FRIDGE
DESIGN FAMILY	SERIES 6	SERIES 4	SERIES 4	SERIES 2
MODEL	KSV36AWEPG	KSV36VLEP	KSV36VWEPG	KSV36NWEPG
Colour	White	Inox look	White	White
DESIGN FEATURES				
Colour of side panels	White	Chrome inox metallic	White	White
Door handle type	Vertical Bar	Vertical Bar	Vertical Bar	Vertical Bar
Temperature display	Interior / Digital LED	Interior / Electronic LED	Interior / Electronic LED	Interior / Electronic LED
Reversible door, hinged on left	●	●	●	●
Latest Condenser Technology	●	●	●	●
Home Connect / Built in cameras	-	-	-	-
FOOD FRESHNESS SYSTEM				
Food preservation container	1 x VitaFresh Plus, 1 x MultiBox vegetable drawer	1 x VitaFresh vegetable drawer	1 x VitaFresh vegetable drawer	1 x MultiBox vegetable drawer
KEY FEATURES – FRIDGE SECTION				
LED light	●	●	●	●
Super Cool function	●	●	●	●
Bottle rack	●	●	●	-
Number of glass safety shelves	7	7	7	6
Number of adjustable shelves	4	5	5	5
Number of door bins large / small	2 / 2	2 / 2	2 / 2	2 / 3
flex Shelf	-	-	-	-
Dairy compartment	●	●	●	-
Number of egg racks	3	3	3	3
FUNCTIONS				
Door open warning signal / malfunction	●	-	-	-
Holiday / Sabbath mode	-	-	-	-
PERFORMANCE AND CONSUMPTION				
Energy efficiency class				
Annual energy consumption ¹ (kWh)	112	112	112	112
Refrigerator net capacity including 0°C drawers (litres)	346	346	346	346
Refrigerator 0°C net capacity (litres)	-	-	-	-
Climate Class ²	SN-T	SN-T	SN-T	SN-T
Noise level (dB(A) re 1 pW)	39	39	39	39
Noise Emission Class	C	C	C	C
Dimensions of the product (H x W x D) (cm)	186 x 60 x 65	186 x 60 x 65	186 x 60 x 65	186 x 60 x 65
EAN code	4242005216130	4242005202195	4242005208241	4242005202010
Matching Freezer	GSN36AWFPG	GSN36VLFPG	GSN36VWFPG	GSN36VWFPG

● = yes - = no
¹Actual energy consumption will depend on how the appliance is used and where it is located. ²Climate zone SN = designed to operate in ambient temperatures of +10°C to 32°C. Climate zone T = designed to operate in ambient temperatures of +18°C to 43°C.

TYPE	FRIDGE	FRIDGE	FRIDGE	FRIDGE
DESIGN FAMILY	SERIES 4	SERIES 4	SERIES 4	SERIES 2
MODEL	KSV33VLEPG	KSV33VWEPG	KSV29VLEP	KSV29NWEPG
Colour	Inox look	White	Inox look	White
DESIGN FEATURES				
Colour of side panels	Chrome inox metallic	White	Chrome inox metallic	White
Door handle type	Vertical Bar	Vertical Bar	Vertical Bar	Vertical Bar
Temperature display	Interior / Electronic LED	Interior / Electronic LED	Interior / Electronic LED	Interior / Electronic LED
Reversible door, hinged on left	●	●	●	●
Latest Condenser Technology	●	●	●	●
Home Connect / Built in cameras	-	-	-	-
FOOD FRESHNESS SYSTEM				
Food preservation container	1 x VitaFresh vegetable drawer	1 x VitaFresh vegetable drawer	1 x VitaFresh vegetable drawer	1 x MultiBox vegetable drawer
KEY FEATURES – FRIDGE SECTION				
LED light	●	●	●	●
Super Cool function	●	●	●	●
Bottle rack	●	●	●	-
Number of glass safety shelves	7	7	6	5
Number of adjustable shelves	5	5	4	4
Number of door bins large / small	2 / 2	2 / 2	1 / 2	1 / 3
flex Shelf	-	-	-	-
Dairy compartment	●	●	●	-
Number of egg racks	3	3	3	3
FUNCTIONS				
Door open warning signal / malfunction	-	-	-	-
Holiday / Sabbath mode	-	-	-	-
PERFORMANCE AND CONSUMPTION				
Energy efficiency class				
Annual energy consumption ¹ (kWh)	113	113	109	109
Refrigerator net capacity including 0°C drawers (litres)	324	324	290	290
Refrigerator 0°C net capacity (litres)	324	-	-	-
Climate Class ²	SN-T	SN-T	SN-T	SN-T
Noise level (dB(A) re 1 pW)	39	39	39	39
Noise Emission Class	C	C	C	C
Dimensions of the product (H x W x D) (cm)	176 x 60 x 65	176 x 60 x 65	161 x 60 x 65	161 x 60 x 65
EAN code	4242005320974	4242005205721	4242005205677	4242005205080
Matching Freezer	GSN33VLEPG	GSN33VWEPG	GSN29VLEPG	GSN29VWEPG

● = yes - = no
¹Actual energy consumption will depend on how the appliance is used and where it is located. ²Climate zone SN = designed to operate in ambient temperatures of +10°C to 32°C. Climate zone T = designed to operate in ambient temperatures of +18°C to 43°C.



TYPE	FREEZER	FREEZER	FREEZER	FREEZER	FREEZER	FREEZER
DESIGN FAMILY	SERIES 4	SERIES 4	SERIES 4	SERIES 4	SERIES 4	SERIES 4
MODEL	GSN36VLFPG	GSN36VWFPG	GSN33VLEPG	GSN33VWEPG	GSN29VLEP	GSN29VWEVG
Colour	Inox look	White	Inox look	White	Inox look	White
DESIGN FEATURES						
Frost-free system	No Frost	No Frost	No Frost	No Frost	No Frost	No Frost
Colour of side panels	White	White	Chrome inox metallic	White	Chrome inox metallic	White
Door handle type	Vertical Bar	Vertical Bar	Vertical Bar	Vertical Bar	Vertical Bar	Vertical Bar
Temperature display	Exterior / Digital LED	Interior / Electronic LED	Interior / Electronic LED	Interior / Electronic LED	Interior / Electronic LED	Interior / Electronic LED
Reversible door, hinged on right	●	●	●	●	●	●
Latest Condenser Technology	●	●	●	●	●	●
Home Connect / Built in cameras	-	-	-	-	-	-
FOOD FRESHNESS SYSTEM						
MultiAirflow system	●	●	●	●	●	●
KEY FEATURES – FREEZER SECTION						
LED light	●	●	●	●	●	●
Number of freezer compartments	7	7	7	7	6	6
Number of freezer drawers including bigBox	5	5	4	4	4	5
Number of freezer flaps / easyAccess shelves	2 / -	2 / -	- / 3	- / 3	- / 2	1 / -
Number of glass safety shelves	6	6	6	6	5	5
Super Freeze function	●	●	●	●	●	●
Twist Ice Box	●	-	-	-	-	-
Number of ice packs / ice cube trays	2 / 1	2 / 1	2 / 1	2 / 1	1 / 1	1 / 1
FUNCTIONS						
Door open warning signal / malfunction	●	●	●	●	●	●
Holiday / Sabbath mode	-	-	-	-	-	-
PERFORMANCE AND CONSUMPTION						
Energy efficiency class						
Annual energy consumption ¹ (kWh)	237	237	229	229	214	214
Freezer net capacity (litres)	242	242	225	225	200	200
Climate Class ²	SN-T	SN-T	SN-T	SN-T	SN-T	SN-T
Storage period in event of power failure (hours)	9	9	9	9	9	9
Noise level (dB(A) re 1 pW)	39	39	39	39	39	39
Noise Emission	C	C	C	C	C	C
Dimensions of the product (H x W x D) (cm)	186 x 60 x 65	186 x 60 x 65	176 x 60 x 65	176 x 60 x 65	161 x 60 x 65	161 x 60 x 65
EAN code	4242005321377	4242005193721	4242005320462	4242005247981	4242005247929	4242005247943
Matching Fridge	-	KSV36VW3PG	KSV33VLEP	KSV33VWEPG	KSV29VLEP	KSV29NWEVG

● = yes - = no
¹Actual energy consumption will depend on how the appliance is used and where it is located. ²Climate zone SN = designed to operate in ambient temperatures of +10°C to 32°C. Climate zone T = designed to operate in ambient temperatures of +18°C to 43°C.

For full specification details, please log onto our website and download a full specification sheet.

Explore more at bosch-home.co.uk / bosch-home.ie



TYPE	UNDERCOUNTER FRIDGE	UNDERCOUNTER FRIDGE FREEZER	UNDERCOUNTER FRIDGE FREEZER
DESIGN FAMILY	SERIES 2	SERIES 2	SERIES 2
MODEL	KTR15NWFAG	KTL15NWFAG	GTV15NWEAG
Colour	White	White	White
DESIGN FEATURES			
Colour of side panels	White	White	White
Door handle type	Integrated Horizontal	Integrated Horizontal	Integrated Horizontal
Temperature display	-	-	-
Reversible door, hinged on right	●	●	●
Latest Condenser Technology	-	-	-
Home Connect / Built in cameras	-	-	-
FOOD FRESHNESS SYSTEM			
Food preservation container	1 x MultiBox vegetable drawer	1 x MultiBox vegetable drawer	-
KEY FEATURES – FRIDGE SECTION			
LED light	●	●	-
Super Cool function	-	-	-
Bottle rack	-	-	-
Number of glass safety shelves	3	2	-
Number of adjustable shelves	1	1	-
Number of door bins large / small	1 / 2	1 / 2	-
Dairy compartment	-	-	-
Number of egg racks	2	2	-
KEY FEATURES – FREEZER SECTION			
Number of freezer compartments	-	1	3
Super Freeze function	-	-	-
Number of ice packs / ice cube trays	-	-	1
FUNCTIONS			
Door open warning signal / malfunction	-	-	-
Holiday / Sabbath mode	-	-	-
PERFORMANCE AND CONSUMPTION			
Energy efficiency class			
Annual energy consumption ¹ (kWh)	94	142	142
Total unit net capacity (litres)	136	120	83
Refrigerator net capacity (litres)	136	106	-
Freezer net capacity (litres)	-	14	83
Climate Class ²	SN-T	SN-T	SN-T
Noise level (dB(A) re 1 pW)	39	39	39
Noise emission	C	C	C
Dimensions of the product (H x W x D) (cm)	85 x 56 x 58	85 x 56 x 58	85 x 56 x 58
EAN code	4242005209125	4242005209095	4242005238934

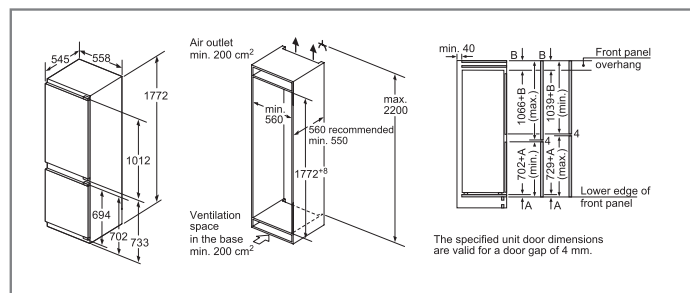
● = yes - = no
¹Actual energy consumption will depend on how the appliance is used and where it is located. ²Climate zone SN = designed to operate in ambient temperatures of +10°C to 32°C. Climate zone T = designed to operate in ambient temperatures of +18°C to 43°C.

For full specification details, please log onto our website and download a full specification sheet.

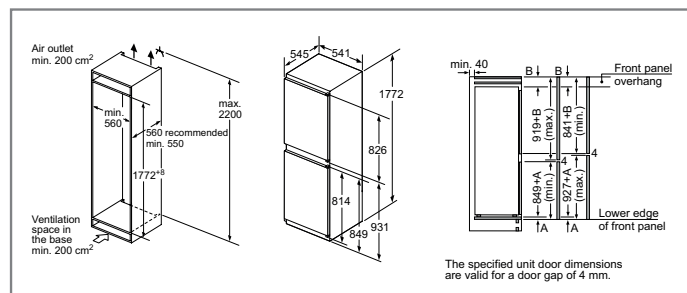
Making **life easy** through innovative technologies

Integrated cooling technical diagrams

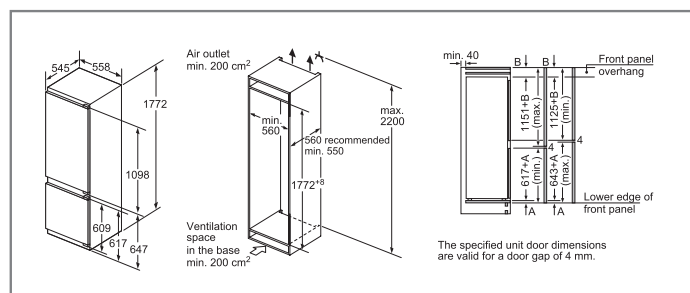
Fridge freezers, fridges and freezers



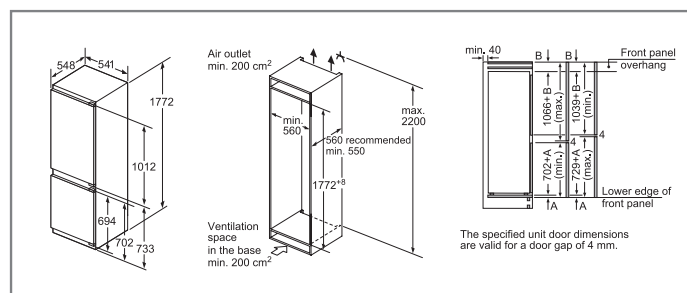
KIF86PFE0



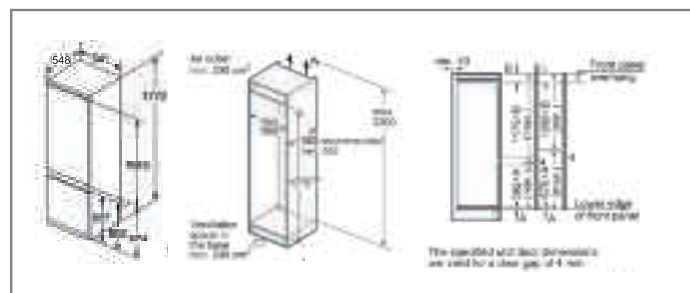
KIN85NFFOG, KIN85NSFOG



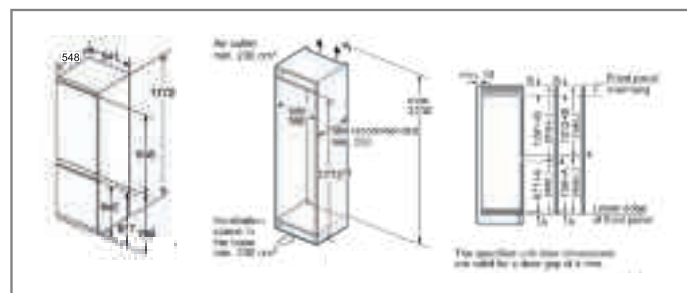
KIS87AFE0G, KIV87VFE0G



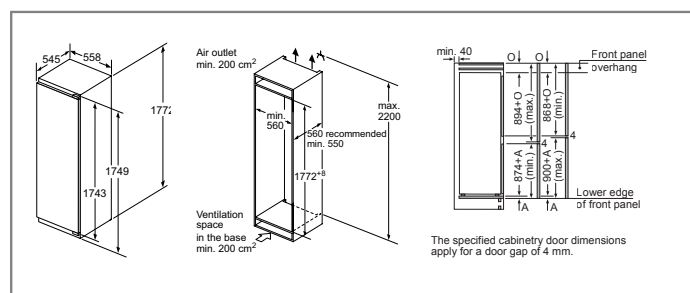
KIN86NFFOG, KIN86HFE0, KIS86AFE0G, KIN86VFE0G,



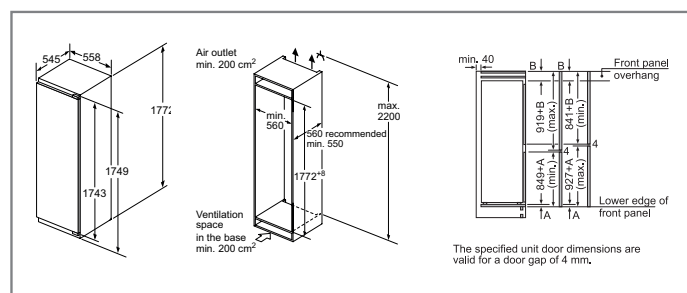
KIV87VSE0G, KIV87NSFOG



KIV86VSE0G, KIN86VSE0G, KIN86NSFOG



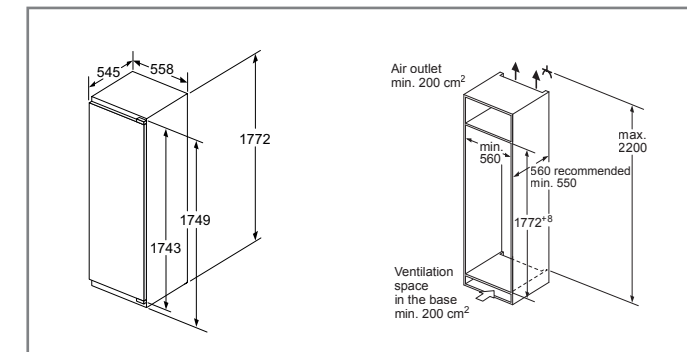
KIF82PFF0



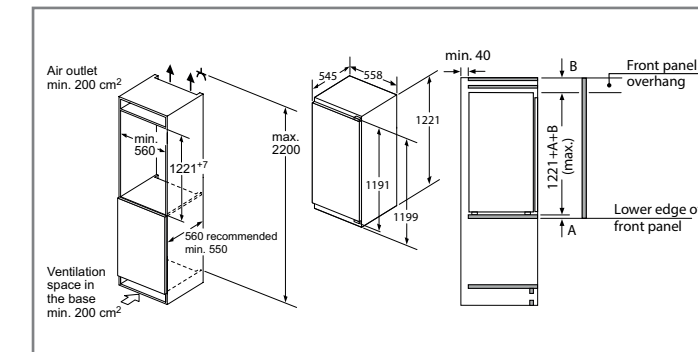
KIF81PFE0, KIR81AFE0G

Integrated cooling technical diagrams

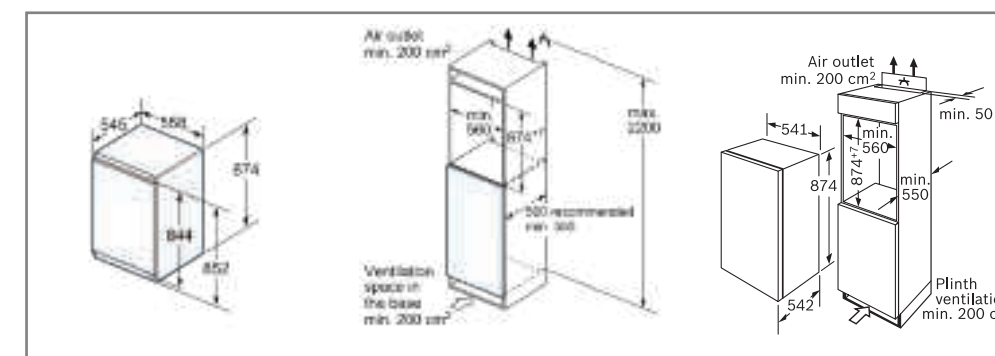
Single door fridges and freezers



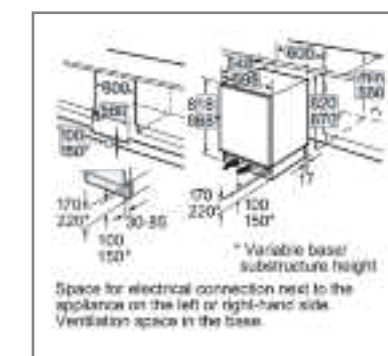
KIF82PFF0, KIF81PFE0, KIR81AFE0G, KIL82AFF0G, KIR81VSFOG, KIL82VSFO, GIN81AEFOG, GIN81HCE0G



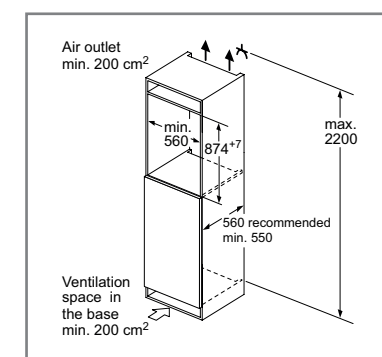
KIR41AFF0G, KIR41NSE0G



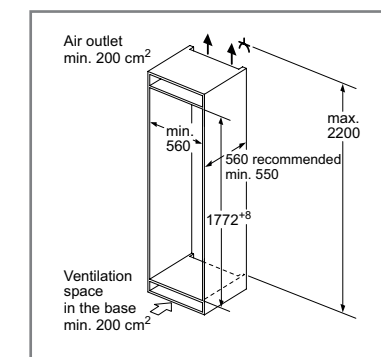
KIR21ADD0, KIR21AFF0G, KIR18NSFOG, GIV21VSE0G



KUL15AFF0G, GUN21VFE0G



GIV21AFE0



KIN86ADD0G

Matching fridges & freezers

Freezer Model	Height	Matching Fridges
GIV21VSE0G	87cm	KIR21ADD0, KIR21AFF0G, KIR18NSFOG
GIV21AFE0	87cm	KIR21AFF0G

Freezer Model	Height	Matching Fridges
GIN81HCE0G	177.2cm	KIF82PFF0, KIF81PFE0, KIR81AFE0G, KIL82AFF0G, KIL82AFF0G, KIR81VSFOG, KIL82VSFO
GUD15AFF0G	82cm	KUL15AFF0G, KUR15AFF0G

All diagram measurements are in millimetres (mm)

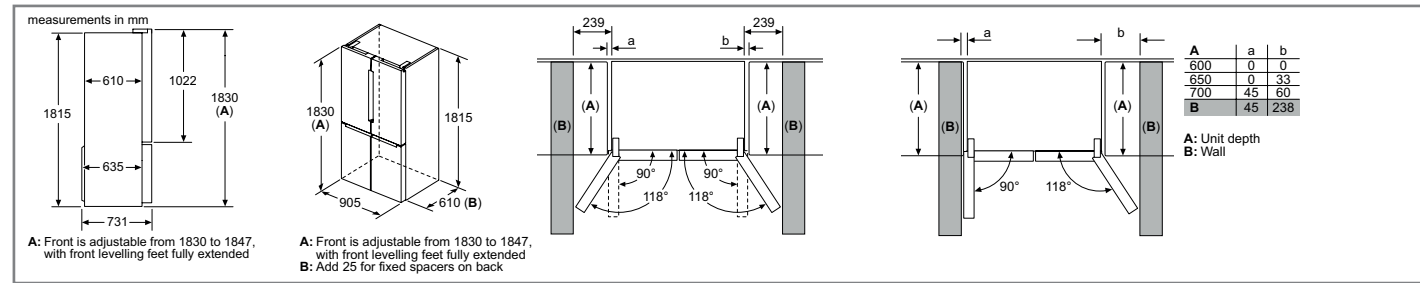
We try to keep up to date with constant technological improvements, so from time to time we may update installation guidelines. Therefore we strongly recommend that you download the latest installation guidelines from www.bosch-home.co.uk. Line drawings are for guidance only, and we recommend that you refer to the latest installation guidelines. Though every care is taken to ensure instructions are correct at the time of printing, Bosch cannot accept responsibility for incorrect planning or installation as a result of the use of these line drawings.

Explore more at bosch-home.co.uk / bosch-home.ie

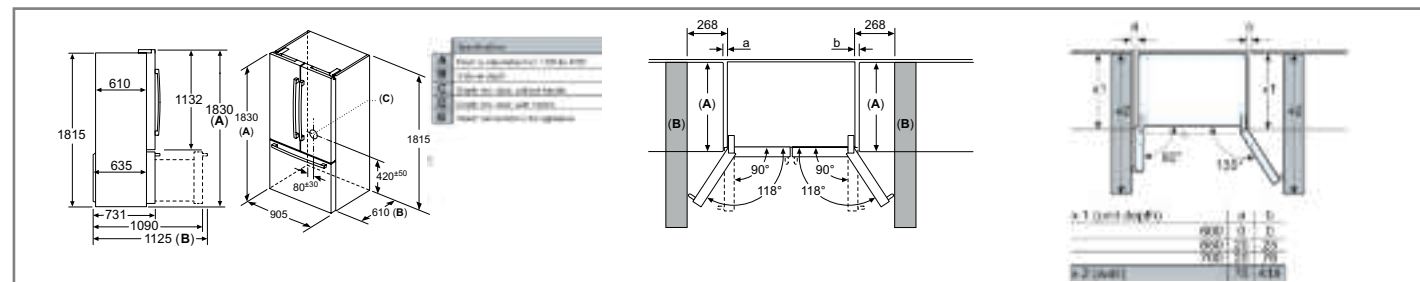
Making **life easy** through innovative technologies

Cooling technical diagrams

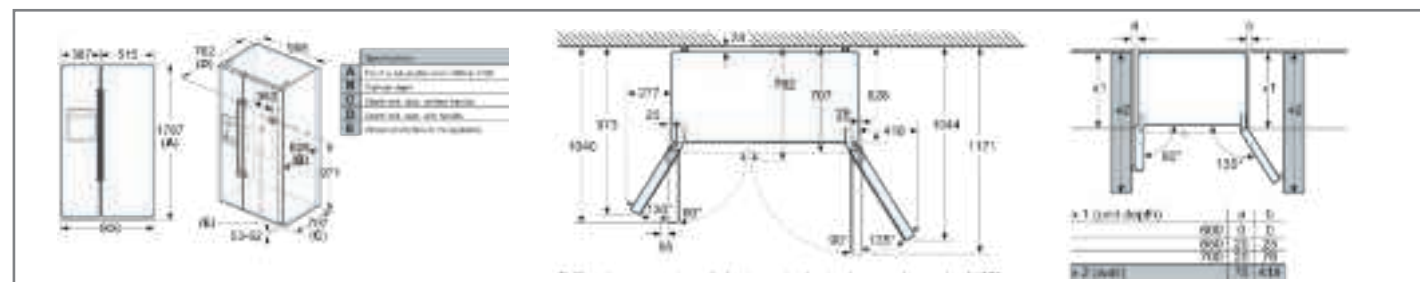
American-style & multi-door fridge freezers



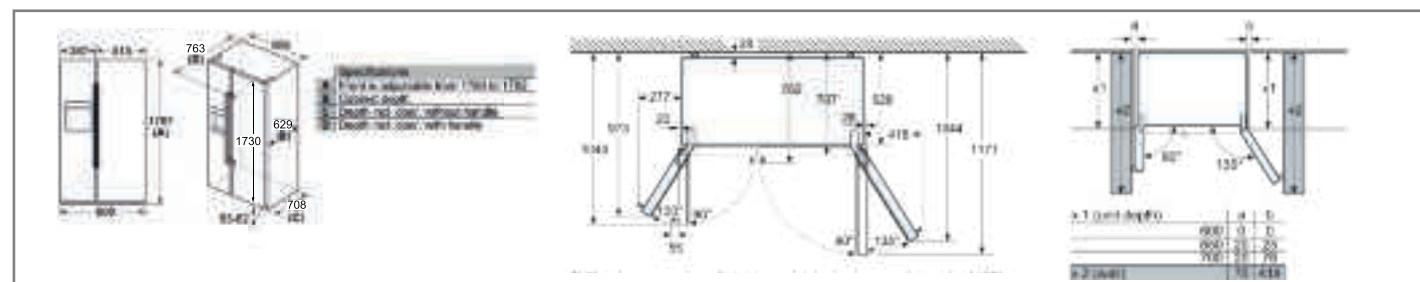
KFN96APEAG, KFN96AXEA, KFN96VPEAG



KFF96PIEP

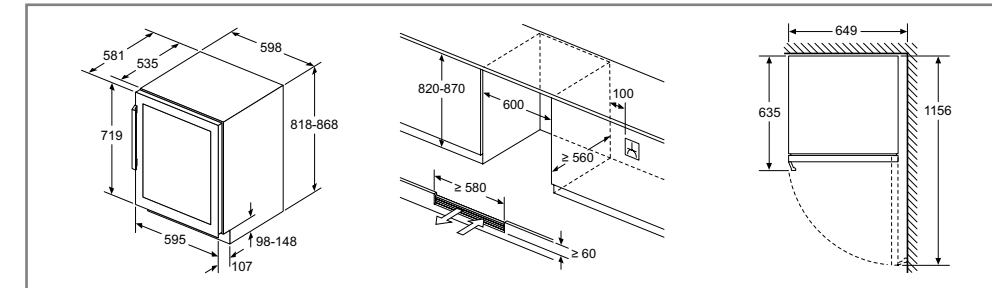


KAG93AIEPG, KAD93VIFPG, KAD93VBFG, KAI93VIFPG

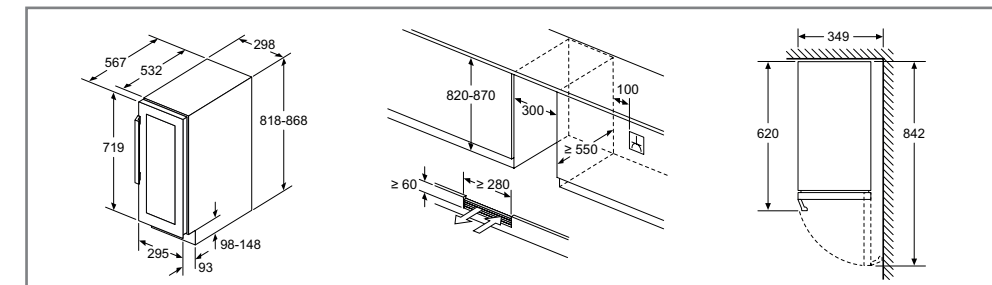


KAN93VIFPG

Wine cabinets



KUW21AHGOG



KUW20VHF0G

All diagram measurements are in millimetres (mm)

We try to keep up to date with constant technological improvements, so from time to time we may update installation guidelines. Therefore we strongly recommend that you download the latest installation guidelines from www.bosch-home.co.uk. Line drawings are for guidance only, and we recommend that you refer to the latest installation guidelines. Though every care is taken to ensure instructions are correct at the time of printing, Bosch cannot accept responsibility for incorrect planning or installation as a result of the use of these line drawings.

Cooling accessories

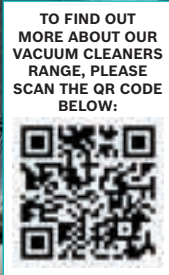
COOLING ACCESSORIES	WHITE	STAINLESS STEEL
203cm Joining strips		
Model	KSZ39AW00	KSZ39AL00
122 X 58 Stainless steel door panel with bar handle (unbranded)		
Model		KFZ40SX0

All diagram measurements are in millimetres (mm)

We try to keep up to date with constant technological improvements, so from time to time we may update installation guidelines. Therefore we strongly recommend that you download the latest installation guidelines from www.bosch-home.co.uk. Line drawings are for guidance only, and we recommend that you refer to the latest installation guidelines. Though every care is taken to ensure instructions are correct at the time of printing, Bosch cannot accept responsibility for incorrect planning or installation as a result of the use of these line drawings.

Vacuum cleaners

Bosch looks back on over 80 years of vacuum cleaner experience, and more than 50 years of battery expertise. The result: innovative technology that makes cleaning your home as easy, and enjoyable, as possible. Performance, convenience, or usability, the right vacuum cleaner from Bosch exceeds even the highest expectations.



Model shown: BCS712GB



The pioneers of power

Today, Bosch's batteries are unrivalled, offering compact and lightweight long-life batteries that consistently deliver on power, performance and efficiency – making Bosch the number one choice for cordless technology in the home and garden. The exchangeable **Power4All System** only requires a single battery pack, which means complete flexibility when charging. The battery is part of our Power4All system so it's compatible with more than 20 power tools and lawn and garden products from Bosch.

Our range of vacuum cleaners

Whether you need your vacuum to be flexible enough to tackle those hard to reach places, quick charging to use when time is tight, or powerful enough to take on your whole house from floor to ceiling, the Bosch range of vacuums has a model to suit you.



Model shown: BCS71PETGB

The Unlimited

The never ending one. Works on so many levels.

Provides the perfect combination of high performance and flexibility. Powered by the Power for All Alliance the battery is exchangeable and is one of the largest cross-brand 18V battery systems in the market. Thorough but flexible vacuuming with the most compact and lightest cordless multi-use handstick the Unlimited range guarantees effective cleaning on all kinds of floors.



Model shown: BBH6POWGB

The Athlet

The powerful one. Less effort, with more cleaning power.

Offers superior power output, meaning powerful suction on all surfaces, allowing you to tackle the toughest household cleaning tasks with ease. With a range of power options, the Athlet charges in just 6 hours, ensuring runtime and performance is at hand just when you need it.



Model shown: BBH3280GB

The Flexxo

The flexible one. Perfect for those hard to reach spaces.

Convenient, fast and thorough, the cordless Flexxo 2in1 handheld and handstick vacuum cleaner is lightweight and compact.

Bosch Motor Technology – Power made in Germany.

At Bosch we design motors to make a difference. And because we not only expect a vacuum cleaner to deliver optimal results but also to be long-lasting, we guarantee you high performance with our free 10 years motor guarantee*.

*Terms of guarantee can be found on bosch-home.co.uk





Coffee machines

Select your coffee intensity at the push of a button.

The TASSIMO FINESSE coffee machine enables you too select a more intense drink simply with a 3 second press of the start button for IntensityBoost to provide a stronger drink. Enjoy a huge choice of over 50 drinks, including big-brand favourites like Costa, L'Or and Kenco, to enjoy at home with family and friends. And once enjoyed your Tassimo pods are easy to recycle using the free Podback recycling service.

INTELLIBREW barcode reader.

Thanks to patented barcode technology INTELLIBREW™, the drink specialities from Tassimo are always perfectly prepared with the correct amount of water, at the right temperature and for the right brewing time.

TO FIND OUT MORE ABOUT OUR TASSIMO RANGE, PLEASE SCAN THE QR CODE BELOW:



Integrated descaling system – for a long appliance life and excellent taste.

Auto-off – safe and energy-saving, as the device switches off automatically after 40 minutes of keeping it warm.

Removable water tank – easy and quick to fill directly under the tap.

DualHeating System

Coffee must be brewed at the correct temperature to ensure that the full aroma can develop. Two powerful sensor-controlled heating systems ensure that the brewing water is heated to the ideal temperature of 92-96 °C. The second heating system keeps the coffee warm at 80-85 °C.



TO FIND OUT MORE ABOUT OUR FILTER COFFEE MACHINE RANGE, PLEASE SCAN THE QR CODE BELOW:



VolumeAutomatic – a sensor in the water tank that detects how many cups are required, then automatically adjusts the brewing time and optimises the brewing process.

Food preparation

Our multi-use stand mixers, food mixers and processors are packed with innovative, labour-saving technology so you can chop, blend, shred, mix and whisk your way more quickly through your food preparation task.



TO FIND OUT MORE ABOUT OUR FOOD PREP RANGE, PLEASE SCAN THE QR CODE BELOW:



With the TouchControl display you can choose between 7 temperature settings from 70 °C to boiling.

TO FIND OUT MORE ABOUT OUR KETTLE AND TOASTER RANGE, PLEASE SCAN THE QR CODE BELOW:



Kettles & toasters

Breakfast at your fingertips.

With the elegant design and the latest heating technology that features across our range, the Sky kettle and toaster will help you start every morning the right way.

Download a copy of our catalogues online at www.bosch-home.co.uk or call **0344 892 8979**

Contact Bosch Customer Service

To arrange an engineer visit, obtain product advice or order replacement spare parts or accessories visit www.bosch-home.co.uk or call **0344 892 8979**

Republic of Ireland customers should visit www.bosch-home.ie to arrange an engineer's visit, or to order spare parts and accessories, or call **(01) 450 2655**



[BoschHomeUK](https://www.facebook.com/BoschHomeUK)



[BoschHomeUK](https://twitter.com/BoschHomeUK)



[boschhomeuk](https://www.instagram.com/boschhomeuk)



[BoschHomeUKandIreland](https://www.youtube.com/BoschHomeUKandIreland)



[boschhomeuk](https://www.pinterest.com/boschhomeuk)

Calls are charged at the basic rate, please check with your telephone service provider for exact charges.

Disclaimer: This brochure is current as from the publication date and supersedes all previous brochures for these products. This brochure should not be regarded as an infallible guide nor as an offer for sale of any particular product. Whilst BSH Home Appliances Ltd believes that all information contained within this brochure is correct at the time of going to print, no representation or warranty, express or implied, is or will be made and no responsibility or liability is or will be accepted by BSH Home Appliances Ltd in relation to the accuracy or completeness of this information and any liability is expressly disclaimed. To the extent permitted by law, BSH Home Appliances Ltd expressly excludes: i) all conditions, warranties and other terms which might otherwise be implied by statute, common law or the law of equity and ii) any liability for any direct, indirect or consequential loss or damage (including, without limitation, damages for loss of business or loss of profits) arising in contract, tort or otherwise from the use of or reliance on any information contained within this brochure or from any action or decision taken as a result of such use or reliance. BSH Home Appliances Ltd reserves the right to modify technical data and all other information contained within this brochure without notice. All rights reserved. No part of this publication may be reproduced in any form or without the prior written permission of BSH Home Appliances Ltd. All colour variations are due to the limitations of the printing process. We recommend a visit to a Bosch dealer to confirm that specifications and colours are to your satisfaction.

May 2023.

BSH Home Appliances Limited

Grand Union House
Old Wolverton Road, Wolverton
Milton Keynes MK12 5PT
www.bosch-home.co.uk

BSH Home Appliances Limited

M50 Business Park
Ballymount, Dublin 12
Tel: 1890 626 041
www.bosch-home.ie