



**prima**  
The Smarter Choice™

Appliances | Sinks | Taps



*For all your everyday needs*

**prima**  
The Smarter Choice™



# PRACTICAL

Prima appliances are designed for your everyday needs, and to be easy every time you use them.

Whether it is an oven, a microwave, or a washer dryer, most of us will use a small number of programmes most of the time and so our appliances make it really easy to use these programmes and to get great results every time.

For those who want to be a little more adventurous our new feature rich Prima + ovens have additional programmes and settings to let you experiment.

*For all your everyday needs*

# EFFICIENT

All Prima appliances have an excellent energy rating, meaning that they are better for the environment and also much cheaper to run.

**FREE  
5 YEAR  
GUARANTEE**

(5 YR PARTS/2 YR LABOUR)

With our parts & labour guarantee you can have the peace of mind that a Prima appliance will give you easy and reliable everyday use for years to come.





# RANGE

The Prima range has everything you need to complete your kitchen, from self cleaning ovens to the kitchen sink.

Whether you prefer a gas hob or the newer induction hob (which can boil a pan of water in under a minute) or if you prefer double ovens to single ovens, with dials or a digital touchscreen; or even if you prefer a 70/30 split fridge freezer to a 50/50 split; our Prima range has a great product to match your preferences.



# VALUE

Prima products are specifically built to combine great features and looks at a price that suits every budget.

Our Prima<sup>+</sup> products have added functions and style features that make them the ideal alternative to more expensive brands but at a much lower price adding to the value of buying Prima.

*High spec products at a much lower price*





# GUARANTEE

We're so confident in the quality and build of our Prima appliance products that we offer a FREE 5 year parts & 2 year labour guarantee as standard on all our products, if you register your product with us within 30 days of purchase.

To register your guarantee please visit  
[www.Prima-Appliances.uk/Guarantee](http://www.Prima-Appliances.uk/Guarantee)

So with virtually no risk with our guarantee, and with such good quality products at highly attractive prices, isn't it time you bought Prima?

*5 FREE years of complete peace of mind*

**FREE  
5 YEAR  
GUARANTEE**

(5 YR PARTS/2 YR LABOUR)

With our parts & labour guarantee you can have the peace of mind that a Prima appliance will give you easy and reliable everyday use for years to come.



# PRIMA+

*Bringing premium brand features at Prima prices*

Our range of Prima+ products have features and functions usually associated with more expensive brands, but with Prima+ we focus on providing the everyday functions and settings that you will need most of the time.

By avoiding adding extra features that will largely go unused and by offering a more defined range centred around your daily use we can provide you with a product that competes with more expensive brands on achieving great results at a fraction of the price.

And when you factor in our 5 year parts guarantee and 2 years labour, the whole life value of a Prima+ product is hard to beat.

*Adding more value for your money*



# BUILT-IN OVENS

*Our range of Prima ovens provides different options to suit your tastes and needs. So if you prefer touchscreen or dials, single or double ovens, with more or fewer features, we have an oven that's right for you.*

All of our range are built-in or built-under to fit neat and flush in your fitted kitchen and look great whatever your kitchen style.

A range of optional add-ons such as telescopic rails and complementary products such as our warming drawer, microwaves or hob ranges give you more great ways of achieving a high-end look and finish all at a very attractive price.

*Look out for our Prima+ products...*



All Prima+ single and double ovens utilise their larger capacity with 2 shelves, 1 grill pan and 1 trivet as standard.

*Cook, bake or roast your way*



# FUNCTIONGUIDE

## Key to function icons for ovens



### ENERGY RATING

All our single ovens come with an A rating, all our double ovens come with an A rating upper cavity and an A rating lower cavity.



### CONVENTIONAL COOKING

Combines top & bottom heating.



### BOTTOM HEATING COOKING

Bottom heating only.



### CONVECTIONAL COOKING WITH FAN ASSISTANCE

Combines top & bottom heating with fan assistance.



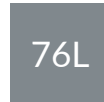
### FAN WITH LOWER HEAT

Combines bottom heating with fan assistance.



### PYROLYTIC CLEANING OVEN

An automatic cleaning function which means no detergents need to be used in the oven cavity. The inside of the oven is heated and reaches 480° at which point any grease stuck to the walls is simply burnt off. You can then wipe with a damp cloth.



### CAPACITY

Oven capacity (litres).



### GRILLS

Single/single variable/dual variable. Ovens come with a number of different grill models, see individual product page for the type of grill fitted.



### GRILL AND FAN

Combination of grill and fan assisted.



### ECO GRILL

Energy saving option.



### CIRCA FAN COOKING

Our ovens come with a fan behind the back wall of the oven forces air through heating elements, food is cooked quicker and evenly in all parts of the oven.



### CIRCA FAN COOKING WITH LOWER HEAT

Adds the lower heat element to the circa fan.



### ELECTRONIC PROGRAMMER/DISPLAY

Electronic clock with digital timer.



### MINUTE MINDER

Mechanical Timer.



### DEFROST FUNCTION

Oven fan assists defrost by circulating air around food.



### MICROWAVE

Cooking with microwave function.



### 13AMP SUPPLY

Can operate from a 13amp supply.



### DIGITAL TEMPERATURE DISPLAY

Gives accurate oven temperature reading even when warming up.

All ovens come with a grill pan handle as standard.  
For technical specification and features please see page 57.

# Single Electric Ovens

## PRIMA+ BUILT-IN SINGLE ELECTRIC FAN OVEN

PRSO106



- + 76 Litre capacity
- + Touch control, white LED display
- + Removable glass for easy door cleaning
- + Quick-remove door for easy cleaning
- + Removable side racks for easy cleaning
- + Telescopic rails (optional extra - PRTG001)
  - Energy rating: A
  - Dimensions: H 595 x W 595 x D 567mm
  - Works on 13A supply
  - 7 Cooking functions:
    - Top heat & bottom heat, fan & half grill, full grill, lower heat, fan & circular heater, fan with top & bottom heat, fan only
  - 5 Year parts & 2 year labour

## PRIMA+ BUILT-IN SINGLE ELECTRIC FAN OVEN

PRSO108



- + 76 Litre capacity
- + Full touch control, white LED display
- + Live digital temperature reading
- + Removable glass for easy door cleaning
- + Quick-remove door for easy cleaning
- + Removable side racks for easy cleaning
- + Telescopic rails (optional extra - PRTG001)
  - Energy rating: A
  - Dimensions: H 595 x W 595 x D 567mm
  - Works on 13A supply
  - 10 Cooking functions: Top & bottom heat, fan & full grill, full grill, bottom heat, eco grill, fan & circular heater, fan plus circular heater & bottom heater, fan & bottom heat, fan with top & bottom heat, fan only
  - 5 Year parts & 2 year labour

## PRIMA+ BUILT-IN SINGLE ELECTRIC PYROLYTIC FAN OVEN

PRSO110



- + 76 Litre capacity
- + Full touch control, white LED display
- + Live digital temperature reading
- + Quadruple glazed to retain heat
- + Quick-remove door for easy cleaning
- + Removable side racks for easy cleaning
- + Telescopic rails (optional extra - PRTG001)
  - Energy rating: A
  - Dimensions: H 595 x W 595 x D 567mm
  - 11 Cooking functions: Top & bottom heat, fan & full grill, bottom heat, eco grill, fan & circular heater, fan plus circular heater & bottom heater, fan & bottom heat, fan with top & bottom heat, fan only, Pyrolytic Cleaning
  - 5 Year parts & 2 year labour

## Single Electric Ovens

### BUILT-IN SINGLE ELECTRIC FAN OVEN PRSO105



- Modern full black glass design
- 60 Litre capacity
- 4 Cooking functions
- Minute minder
- EasyClean enamel
- Energy rating: A
- Quick-remove door for easy cleaning
- Removable side racks for easy cleaning
- Dimensions: H 595 x W 595 x D 565mm
- Works on 13A supply
- 5 Year parts & 2 year labour

### BUILT-IN SINGLE ELECTRIC FAN OVEN PRSO107



- Modern full black glass design
- 60 Litre capacity
- 4 Cooking functions
- Digital programmer
- EasyClean enamel
- Energy rating: A
- Quick-remove door for easy cleaning
- Removable side racks for easy cleaning
- Dimensions: H 595 x W 595 x D 565mm
- Works on 13A supply
- 5 Year parts & 2 year labour

### BUILT-IN SINGLE ELECTRIC FAN OVEN PRSO101



- 60 Litre capacity
- 4 Cooking functions
- Minute minder
- EasyClean enamel
- Energy rating: A
- Quick-remove glass for easy cleaning
- Removable side racks for easy cleaning
- Dimensions: H 595 x W 595 x D 565mm
- Works on 13A supply
- 5 Year parts & 2 year labour

# Single & Double Electric Ovens

## BUILT-IN SINGLE ELECTRIC FAN OVEN PRSO103



- 60 Litre capacity
- 4 Cooking functions
- Digital programmer
- EasyClean enamel
- Energy rating: A
- Quick-remove glass for easy cleaning
- Removable side racks for easy cleaning
- Dimensions: H 595 x W 595 x D 565mm
- Works on 13A supply
- 5 Year parts & 2 year labour

## PRIMA+ BUILT-IN DOUBLE ELECTRIC OVEN PRDO302



- + White LED touch control digital display
- + Quick-remove doors for easy cleaning
- + Removable side racks for easy cleaning
- + Telescopic rails (optional extra - PRTG001)
- 35 Litre capacity (top cavity)
- 59 Litre capacity (main oven)
- Energy rating: A/A
- Dimensions: H 888 x W 595 x D 560mm
- Top oven functions: 4 functions - conventional, grill, eco grill, bottom heat
- Main oven functions: 4 functions - fan & full grill, full grill, fan & circular heater, fan
- 5 Year parts & 2 year labour

## PRIMA+ BUILT-UNDER DOUBLE ELECTRIC OVEN PRDO304












- + White LED touch control digital display
- + Quick-remove doors for easy cleaning
- + Removable side racks for easy cleaning
- 35 Litre capacity (top cavity)
- 50 Litre capacity (main oven)
- Energy rating: A/A
- Dimensions: H 718 x W 595 x D 560mm
- Top oven functions: 4 functions - conventional, grill, eco grill, bottom heat
- Main oven functions: 4 functions - fan & full grill, full grill, fan & circular heater, fan
- 5 Year parts & 2 year labour

**PRIMA+  
BUILT-IN  
COMPACT COMBINATION  
MICROWAVE, GRILL  
& FAN OVEN**

PRCM333



- |                                                                                     |                                |                                                                                     |                                |
|-------------------------------------------------------------------------------------|--------------------------------|-------------------------------------------------------------------------------------|--------------------------------|
|    | Microwave                      |    | Top grill                      |
|    | Microwave & grill              |    | Rear element + fan             |
|    | Microwave + rear element + fan |    | Top grill + fan                |
|  | Defrost                        |  | Top grill + rear element + fan |
|                                                                                     |                                |  | 13amp Supply                   |

- +** 40 Litre capacity
- +** Full touch control, white LED display
- +** Live digital temperature reading
  - 900W microwave
  - Dimensions: H 455 x W 595 x D 570mm
  - Works on 13A supply
  - 8 functions: Microwave, microwave & grill, microwave rear heater & fan, fan oven, grill & fan, grill, oven grill & fan, defrost
- 5 Year parts & 2 year labour

**PRIMA+  
15CM  
WARMING DRAWER**

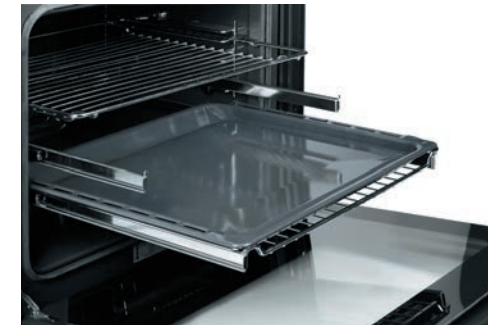
PRWD002



- 6 Plate settings
- Push/Pull action
- Stainless steel strip
- Ideal to combine with compact oven PRCM333
- Dimensions: H 141 x W 595 x D 580mm
- 5 Year parts & 2 year labour

**PRIMA+  
TELESCOPIC RAIL**

PRTG001



- 2/3 extension
- Stainless steel
- 12.5kg load capacity
- Fits Prima+ ovens: PRSO106/PRSO108/PRSO110/PRDO302 (main oven)




# BUILT-IN MICROWAVES

*Designed to complement our ovens, both in style and functionality, our range of microwaves bring you all the ease and convenience benefits we expect from a microwave, including some built-in models that can fit inside a wall cabinet as well as a housing unit.*

As a Prima product our microwaves focus on providing all the right functions you will need for your everyday and at a price that makes the decision to include one in your kitchen that little bit easier.

*Look out for our Prima+ products...*

 Our Prima+ microwave offers a sleek black glass design and can even fit inside a standard wall cupboard as well as a tall housing.

*Quality and convenience*

# FUNCTION GUIDE

## Key to function icons for microwaves



### MICROWAVE

Cooking with microwave function.



### GRILLS

Single/single variable/dual variable. Ovens come with a number of different grill models, see individual product page for the type of grill fitted.



### MINUTE MINDER

Mechanical Timer.



### JET DEFROST

Defrosts 7 times faster than a conventional microwave oven with even microwave distribution that works directly on the water molecules inside the food.



### DEFROST FUNCTION

Oven fan assists defrost by circulating air around food.



### CHILD LOCK

This locks the function, preventing the danger of children altering functions.



### ELECTRONIC PROGRAMMER/DISPLAY

Electronic clock with digital timer.



### EXPRESS COOKING

Facilitates cooking at full microwave power for short period.



### AUTO PROGRAMMES

Eg: Pizza, meat, pasta, potato, fish, vegetable, popcorn and beverage.



### DIGITAL TIMER

Digital clock and timer



### CAPACITY

Microwave capacity (litres).



### 13AMP SUPPLY

Can operate from a 13amp supply.

For technical specification and features please see page 58

## PRIMA+ BUILT-IN 39CM MINI MICROWAVE

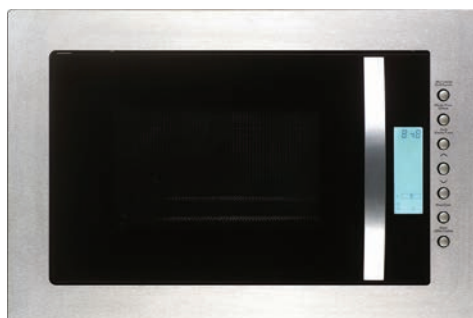
PRCM111



- + Fits in wall cabinets (of min. 300mm depth)
- + Easy installation system
- + Jet defrost function
- + Digital timer
- + Child safety lock
  - 4 Power levels
  - 22 Litre capacity
  - 750W
  - Dimensions: H 382 x W 595 x D 320mm
  - Works on 13A supply
  - 5 Year parts & 2 year labour

## BUILT-IN STAINLESS STEEL FRAMELESS MICROWAVE AND GRILL

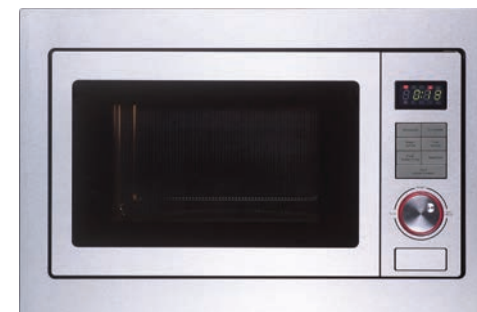
LCTM251



- 5 Power levels
- 25 Litre capacity
- 900W Microwave
- 1000W Grill
- Digital timer
- Defrost setting
- Automatic cook menus
- Child safety lock
- 3 Functions
- Dimensions: H 388 x W 595 x D 410mm
- Works on 13A supply
- 5 Year parts & 2 year labour

## BUILT-IN STAINLESS STEEL FRAMED MICROWAVE AND GRILL

LCTM25F



- 5 Power levels
- 25 Litre capacity
- 900W Microwave
- 1000W Grill
- Digital timer
- Defrost setting
- Automatic cook menus
- Child safety lock
- 3 Functions
- Dimensions: H 388 x W 595 x D 410mm
- Works on 13A supply
- 5 Year parts & 2 year labour



## BUILT-IN STAINLESS STEEL FRAMED MICROWAVE LCTM201



- 5 Power levels
- 20 Litre capacity
- 800W
- Digital timer
- Cooking timer: 0-95 mins
- Defrost setting
- Express cooking
- Child safety lock
- Dimensions: H 382 x W 594 x D 316mm
- Works on 13A supply
- 5 Year parts & 2 year labour

## BUILT-IN BLACK MICROWAVE PRCM202



- 5 Power levels
- 20 Litre capacity
- 800W
- 35 minute timer
- Defrost setting
- Dimensions: H 384 x W 595 x D 336mm
- Works on 13A supply
- 5 Year parts & 2 year labour

For our combination oven and microwave  
see page 13



# HOBS

*Choosing your hob type is a very personal decision and whether your preference is gas, electric, induction or ceramic the Prima range has a great solution for you.*

*Look out for our Prima+ products...*



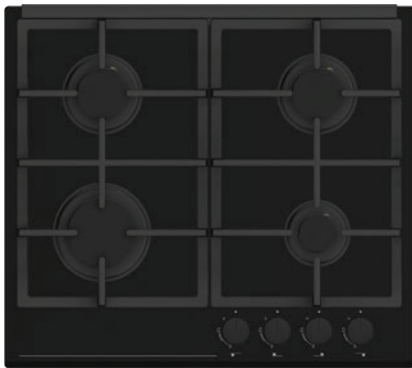
Our Prima+ gas on glass hobs are beautifully stylish and complement our Prima+ ovens and hoods to create a consistent and complete look usually associated with more expensive brands.




For technical specifications and features please see page 59-60



*Whatever your preference*


**PRIMA+ 60CM**   
**GAS ON GLASS HOB**  
 PRGH218



-  Frameless finish
-  Cast iron pan supports
-  Auto-ignition control knobs
  - 4 Burners
  - Auto lock safety device
  - Flame failure safety device
  - Cut-out dimensions (mm): W 560 x D 490
  - Dimensions: H 90 x W 590 x D 520mm
  - LPG Converter Kit supplied as standard
  - 5 Year parts & 2 year labour

**PRIMA+ 70CM**   
**GAS ON GLASS HOB**  
 PRGH220



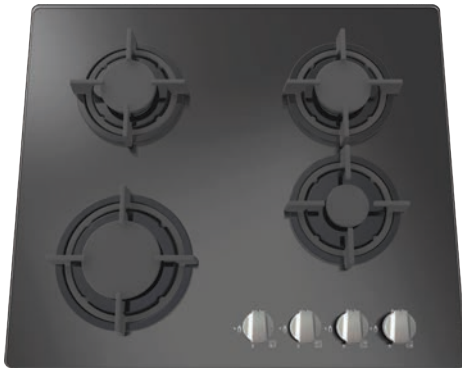
-  Frameless finish
-  Cast iron pan supports
-  Auto-ignition control knobs
-  4.5kW Wok Burner
  - 5 Burners
  - Auto lock safety device
  - Flame failure safety device
  - Cut-out dimensions (mm): W 560 x D 490
  - Dimensions: H 94 x W 690 x D 520mm
  - LPG Converter Kit supplied as standard
  - 5 Year parts & 2 year labour

**PRIMA+ 90CM**   
**GAS ON GLASS HOB**  
 PRGH222



-  Frameless finish
-  Cast iron pan supports
-  Auto-ignition control knobs
-  4.5kW Wok Burner
  - 5 Burners
  - Auto lock safety device
  - Flame failure safety device
  - Cut-out dimensions (mm): W 810 x D 490
  - Dimensions: H 94 x W 860 x D 520mm
  - LPG Converter Kit supplied as standard
  - 5 Year parts & 2 year labour

## 60CM GAS ON GLASS HOB PRGH212



- Frameless finish
- Cast iron pan supports
- Auto-ignition control knobs
- 4 Burners
- Auto lock safety device
- Flame failure safety device
- Cut-out dimensions (mm): W 557 x D 477
- Dimensions: H 100 x W 580 x D 500mm
- LPG Converter Kit supplied as standard
- 5 Year parts & 2 year labour

## 70CM GAS ON GLASS HOB PRGH214



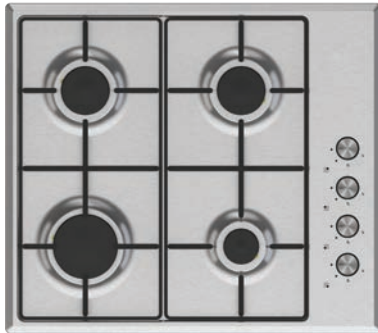
- Frameless finish
- Cast iron pan supports
- Auto-ignition control knobs
- 3.8kW Wok Burner
- 5 Burners
- Auto lock safety device
- Flame failure safety device
- Cut-out dimensions (mm): W 557 x D 477
- Dimensions: H 100 x W 700 x D 510mm
- LPG Converter Kit supplied as standard
- 5 Year parts & 2 year labour

## 90CM GAS ON GLASS HOB PRGH216



- Frameless finish
- Cast iron pan supports
- Auto-ignition control knobs
- 3.8kW Wok Burner
- 5 Burners
- Auto lock safety device
- Flame failure device
- Cut-out dimensions (mm): W 837 x D 477
- Dimensions: H 100 x W 860 x D 510mm
- LPG Converter Kit supplied as standard
- 5 Year parts & 2 year labour

**60CM  
STAINLESS STEEL  
GAS HOB**  
PRGH106



- 4 Burners
- Enamelled pan supports
- Push and turn electric ignition
- Easy clean top plate and control
- 8 Power settings
- Flame failure safety device
- Cut-out dimensions (mm): W 560 x D 490
- Dimensions: H 90 x W 590 x D 520mm
- LPG Converter Kit supplied as standard
- 5 Year parts & 2 year labour

**60CM  
STAINLESS STEEL  
GAS HOB**  
PRGH108  
WITH **CAST IRON** PAN SUPPORTS



- 4 Burners
- Cast iron pan supports
- Push and turn electric ignition
- Easy clean top plate and control
- 8 Power settings
- Flame failure safety device
- Cut-out dimensions (mm): W 560 x D 490
- Dimensions: H 90 x W 590 x D 520mm
- LPG Converter Kit supplied as standard
- 5 Year parts & 2 year labour

**70CM  
STAINLESS STEEL  
GAS HOB**  
PRGH114  
WITH **CAST IRON** PAN SUPPORTS



- 5 Burners
- 3.8kW Wok Burner
- Push and turn electric ignition
- Cast iron pan supports
- Flame failure safety device
- Cut-out dimensions (mm): W 557 x D 477
- Dimensions: H 42 x W 680 x D 500mm
- LPG Converter Kit supplied as standard
- 5 Year parts & 2 year labour

**90CM  
STAINLESS STEEL  
GAS HOB**  
PRGH116  
WITH **CAST IRON** PAN SUPPORTS



- 5 Burners
- 3.8 kW Wok Burner
- Push and turn electric ignition
- Cast iron pan supports
- Flame failure safety device
- Cut-out dimensions (mm): W 837 x D 477
- Dimensions: H 42 x W 860 x D 500mm
- LPG Converter Kit supplied as standard
- 5 Year parts & 2 year labour

## PRIMA+ 80CM VENTING INDUCTION HOB

PRVH001



- + Bridging zone
- + Touch control
- 4 Cooking zones
- Extraction rate: 398m<sup>3</sup>/h
- 61dB (A)
- Energy rating: B
- 3 venting speed levels
- Black glass frameless finish
- Maximum nominal power: 6.8kW
- Cut-out dimensions (mm): W 780 x D 500
- Dimensions: H 60 x W 800 x D 520mm
- 5 Year parts & 2 year labour

## PRIMA+ 60CM INDUCTION HOB

PRIH204



- + Black glass with stainless steel trim to coordinate with '+' oven models
- Slider controls
- 4 Cooking zones
- Residual heat indicators
- Child safety lock
- Auto shut-off safety mechanism
- Maximum nominal power: 7.2kW
- Cut-out dimensions (mm): W 560 x D 490
- Dimensions: H 55 x W 590 x D 520mm
- 5 Year parts & 2 year labour

## 75CM INDUCTION HOB

PRIH206



- Slider controls
- 5 Cooking zones
- Extra large centre zone
- Residual heat indicators
- Digital timer function
- Child safety lock
- Maximum nominal power: 7.4kW
- Cut-out dimensions (mm): W 730 x D 490
- Dimensions: H 62 x W 750 x D 520mm
- 5 Year parts & 2 year labour

## 90CM INDUCTION HOB

PRIH208



- Slider controls
- 5 Cooking zones
- Residual heat indicators
- Timer at each zone (1-99 minutes)
- Child safety lock
- Auto shut-off safety mechanism
- Black glass frameless finish
- Maximum nominal power: 7.4kW
- Cut-out dimensions (mm): W 830 x D 490
- Dimensions: H 62 x W 860 x D 520mm
- 5 Year parts & 2 year labour

## 60CM INDUCTION HOB

PRIH016



- Touch control
- 4 Cooking zones
- Residual heat indicators
- Timer at each zone (1-99 minutes)
- Child safety lock
- Auto shut-off safety mechanism
- Black glass framless finish
- Maximum nominal power: 7.0kW
- Cut-out dimensions (mm): W 560 x D 490
- Dimensions: H 62 x W 590 x D 520mm
- 5 Year parts & 2 year labour

The PRIH018 hob is designed to be 'plug and play' by ensuring the maximum load does not exceed 3kW when in use. To do this, the hob cleverly balances it's achievable power levels to ensure a combined maximum of 20 is not exceeded.

## 60CM INDUCTION HOB

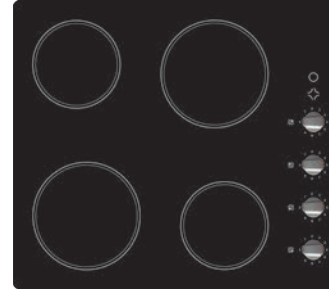
Includes 13 amp plug  
PRIH018



- Touch control
- 4 Cooking zones
- Residual heat indicators
- Timer at each zone (1-99 minutes)
- Child safety lock
- Auto shut-off safety mechanism
- Black glass framless finish
- Maximum nominal power: 3kW
- Cut-out dimensions (mm): W 560 x D 490
- Dimensions: H 62 x W 590 x D 520mm
- 5 Year parts & 2 year labour

## 60CM CERAMIC HOB

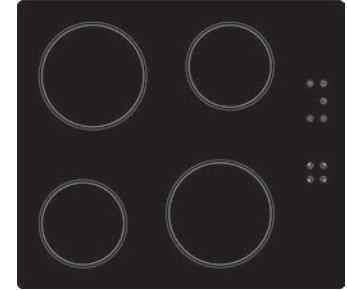
PRCEH104



- 4 Hi-light cooking zones
- Residual heat indicators
- Easy grip control knobs
- Black glass frameless finish
- Auto safety shut off
- Maximum nominal power: 6kW
- Cut-out dimensions (mm): W 564 x D 494
- Dimensions: H 52 x W 580 x D 510mm
- 5 Year parts & 2 year labour

## 60CM CERAMIC HOB

PRCEH106



- Touch control and digital display
- 4 Hi-light cooking zones
- Residual heat indicators
- Timer at each zone (1-99 minutes)
- Auto safety shut off
- Child safety lock
- Black glass frameless finish
- Maximum nominal power: 6kW
- Cut-out dimensions (mm): W 564 x D 494
- Dimensions: H 52 x W 580 x D 510mm
- 5 Year parts & 2 year labour



*Prima+ Angled Hoods add real style to any kitchen with sleek design and LED down lights*



*Prima+ Angled Hoods with simple push button control*

# HOODS

*Our Hoods range has a wide variety of styles and types giving you complete flexibility, whether for use over an island, wall mounted or even our Prima+ downdraft hood which fits into your worktop.*

**Look out for our Prima+ products...**



Our Prima+ hoods are highly functional with excellent extraction rates and yet are stylish enough to enhance the look of any kitchen.

For technical specifications and features please see page 61

*Style and function combined*



**PRIMA+ 90CM CEILING HOOD**  
PRCH301



- + Extraction rate: 718m<sup>3</sup>/h
- + Remote control switch
- + 3 Speed settings and booster function
  - 4 x 1W LED bulbs
  - 69 dBA
  - Energy rating: B
  - Dimensions: H 76 (body) + 170 (motor) x W 900 x D 600mm
  - PRDK150 Prima ducting kit (optional)
  - Can be recirculated with carbon filter PRF008
  - 5 Year parts & 2 year labour

**PRIMA+ 90CM DOWNDRAFT HOOD**  
PRDE0004



- + Extraction rate: 549m<sup>3</sup>/h
- + Touch control
- + 3 Speed settings and booster function
  - 2 x 1W LED bulbs
  - 67dBA
  - Energy rating: D
  - Dimensions: H 330 x W 880 x D 94mm
  - Can be recirculated with carbon filter PRF008
  - Retracts into worktop when not in use
  - PRDK150 Prima ducting kit (optional)
  - 5 Year parts & 2 year labour

Cannot be used with a gas hob

**PRIMA+ 60CM ANGLED HOOD**  
PRAE0030



- + Extraction rate: 387m<sup>3</sup>/h
- + Touch control
- + 3 Speed settings
- + White LED to match Prima+ ovens
  - 62 dBA
  - Energy rating: B
  - Dimensions: H 827-1127 x W 600 x D 333mm
  - PRF006 Carbon filter to suit (optional)
  - PRAE801 Chimney extension black (optional)
  - PRDK125 Prima ducting kit (optional)
  - 5 Year parts & 2 year labour

**PRIMA+ 60/70/90CM STAINLESS STEEL/ GLASS ANGLED HOOD**  
PRAE1002/PRAE1004/PRAE1006









- + Extraction rate: 387m<sup>3</sup>/h
- + White LED Touch control
- + 3 Speed settings
- + 15 minute timer
  - Anodised aluminium filter
  - 2 x LED lights
  - 62 dBA
  - Energy rating: B
  - Dimensions: H 810-1110 x W 600/700/900 x D 330mm
  - PRF006 Carbon filter to suit (optional)
  - PRDK125 Prima ducting kit (optional)
  - PRAE900 Chimney extension stainless steel (optional)
  - 5 Year parts & 2 year labour

## PRIMA+ STAINLESS STEEL TOUCH CONTROL BOX HOOD

PRCH026 - 60cm  
 PRCH028 - 70cm  
 PRCH030 - 90cm



-  Extraction rate: 354m<sup>3</sup>/h
-  Touch control black glass panel
-  3 Speed settings
-  White LED to match Prima+ ovens
-  Digital LED clock
-  Delay timer (1-9 minutes)
  - 2x 1W LED lamps
  - 70 dBA
  - Energy rating: C
  - Dimensions: H 450-750 x W 600/700/900 x D 450mm
  - PRF007 Carbon filter to suit (optional)
  - PRAE802 Chimney extension (optional)
  - PRDK125 Prima ducting kit (optional)
  - 5 Year parts & 2 year labour

## ANGLED HOOD

PRAE0018 - 60cm  
 PRAE0020 - 70cm  
 PRAE0022 - 90cm



- Extraction rate: 387m<sup>3</sup>/h
- Push button control
- 3 Speed settings
- Anodised aluminium filter
- 2x LED lights
- 62 dBA
- Energy rating: B
- Dimensions: H 780-1080 x W 600/700/900 x D 313mm
- PRF006 Carbon filter to suit (optional)
- PRAE801 Chimney extension black (optional)
- PRDK125 Prima ducting kit (optional)
- 5 Year parts & 2 year labour

## 90CM STAINLESS STEEL CURVED GLASS ISLAND HOOD

PRCGH100



- Extraction rate: 360m<sup>3</sup>/h
- Push button control
- 3 Speed settings
- Anodised aluminium filter
- 2x LED lights
- 63dBA
- Energy rating: B
- Dimensions: H 830-1050 x W 900 x D 600mm
- PRF006 Carbon filter to suit (optional)
- PRDK125 Prima ducting kit (optional)
- 5 Year parts & 2 year labour

## 60CM STAINLESS STEEL FLAT GLASS CHIMNEY HOOD

PRFH002



- Maximum extraction: 278m<sup>3</sup>/h
- Push button control
- 3 Speed settings
- Aluminium filter
- 1x LED light
- 65 dBA
- Energy rating: B
- Dimensions: H 430-730 x W 600 x D 450mm
- PRF006 Carbon filter to suit (optional)
- PRDK125 Prima ducting kit (optional)
- 5 Year parts & 2 year labour

## STAINLESS STEEL CURVED GLASS CHIMNEY HOOD

PRCGH008 - 60CM

PRCGH010 - 70CM

PRCGH012 - 90CM



- Maximum extraction: 278m<sup>3</sup>/h
- Push button control
- 3 Speed settings
- Aluminium filter
- 1x LED light
- 65 dBA
- Energy rating: B
- Dimensions: H 540-740 x W 600/700/900 x D 450mm
- PRF006 Carbon filter to suit (optional)
- PRCGH801 Chimney extension stainless steel (optional)
- PRDK125 Prima ducting kit (optional)
- 5 Year parts & 2 year labour

## BLACK CURVED GLASS CHIMNEY HOOD

PRCGH009 - 60CM

PRCGH011 - 70CM

PRCGH013 - 90CM



- Maximum extraction: 278m<sup>3</sup>/h
- Push button control
- 3 Speed settings
- Aluminium filter
- 1x LED light
- 65 dBA
- Energy rating: B
- Dimensions: H 540-740 x W 600/700/900 x D 450mm
- PRF006 Carbon filter to suit (optional)
- PRCGH901 Chimney extension black (optional)
- PRDK125 Prima ducting kit (optional)
- 5 Year parts & 2 year labour

## Hoods

### STAINLESS STEEL CHIMNEY HOOD

PRCH020 - 60CM

PRCH022 - 70CM

PRCH024 - 90CM

#### ALSO AVAILABLE IN BLACK

PRCH021 - 60CM

PRCH023 - 90CM

- Maximum extraction: 379m<sup>3</sup>/h
- 2x Anodised aluminium filters
- 2x 2.8W LED lights
- 60 dBA
- Energy rating: D
- Dimensions: H 668-898 x W 600/700/900 x D 450mm
- LIA210 Carbon filter to suit (optional)
- PRCH800 Chimney extension stainless steel (optional)
- PRCH900 Chimney extension black (optional)
- PRDK150 Prima ducting kit (optional)
- 5 Year parts & 2 year labour



### GREY INTEGRATED HOOD

PRCH550

- Extraction rate: 263m<sup>3</sup>/h
- Slider buttons
- 3 Speed settings
- Auto-start when opened
- Acrylic filter
- 1x 2.8W LED light
- 61 dBA
- Energy rating: D
- Dimensions: H 400 x W 600 x D 495mm
- LIA210 Carbon filter to suit (optional)
- PRDK125 Prima ducting kit (optional)
- 5 Year parts & 2 year labour



### 60CM TELESCOPIC HOOD

PRCH600



- Extraction rate: 273m<sup>3</sup>/h
- Slider control
- 3 Speed settings
- 2x 2.8W LED bulbs
- 61 dBA
- Energy rating: D
- Dimensions: H 175 x W 598 x D 306 - 456mm
- Stainless steel front panel
- LIA210 filter to suit (optional)
- PRDK150 ducting kit (optional)
- 5 Year parts & 2 year labour

### 60CM SILVER VISOR HOOD

PRCH400

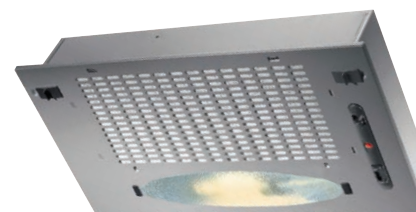


- Extraction rate: 231m<sup>3</sup>/h
- Push buttons
- 3 Speed settings
- Acrylic filter
- 1x 2.8W LED bulb
- 62 dBA
- Energy rating: D
- Dimensions: H 150 x W 600 x D 520mm
- LIA210 Filter to suit (optional)
- PRDK125 Prima ducting kit (optional)
- 5 Year parts & 2 year labour

### GREY CANOPY HOOD

PRCH700- 60CM

PRCH701- 73CM



- Extraction rate: 273m<sup>3</sup>/h
- Acrylic filter
- 2x 2.8W LED light
- 61 dBA
- Energy rating: D
- Dimensions: H 148 x W 527/707 x D 283mm
- LIA210 filter to suit (optional)
- PRDK125 optional ducting kit for PRCH700
- PRDK150 optional ducting kit for PRCH701
- 5 Year parts & 2 year labour

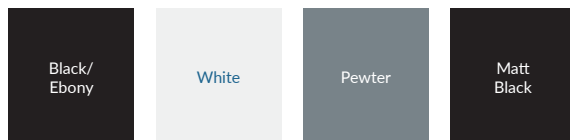
## GLASS SPLASHBACKS

### 60CM STRAIGHT SPLASHBACK

LES001/LES002/LES003/LES005

### 60CM CURVED SPLASHBACK

LES101/LES102/LES103/LES105

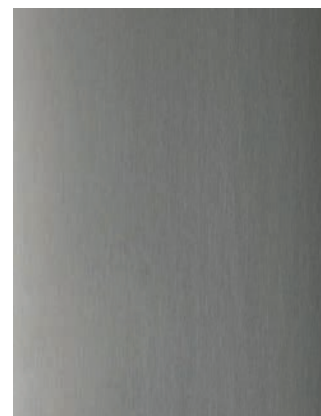


- Made in UK
- Dimensions: H 750 x W 600 x D 6mm
- Curved splashbacks designed to fit PRCGH008 & PRCGH009

## STAINLESS STEEL SPLASHBACKS

### 60/70/90/100CM STRAIGHT SPLASHBACK

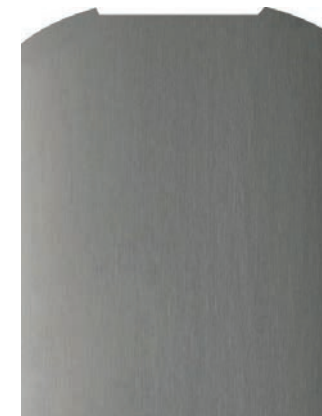
LCT025/LCT026/LCT027/LCT028



- Made in UK
- Dimensions:  
H 750 x W 600/700/900/1000 x D 10mm
- Easy-fit design
- Quality 430 brushed stainless steel

### 60/70/90CM CURVED SPLASHBACK

LAA004/LAA005/LAA006



- Made in UK
- Dimensions: H 750 x W 600/700/900 x D 10mm
- Designed to fit PRCGH008 & PRCGH009
- MDF backed
- Quality 430 brushed stainless steel



All Prima Splashbacks are  
manufactured in the UK



*Prima Chrome Wine Rack is available as an optional extra for Prima Fridge Freezers*

## BUILT-IN COOLING

*All Prima fridges, freezers and combined fridge freezers are built-in so that externally they appear as another cabinet or unit in your kitchen.*

Our Prima fridge freezers also look great on the inside with a silver trim and an optional chrome wine rack. All Prima cooling products are also frost-free, making them comparable with products usually associated with more expensive brands.



*Prima Fridge Freezers feature a silver trim for a highly stylised look*

*Looks stylish inside and out*

# FUNCTIONGUIDE

## Key to function icons



### FROST FREE

This innovative system eliminates the formation of ice on food and the freezer interior.



### AUTO DEFROST

Automatically defrosts the fridge at regular intervals without the need to switch off the appliance or remove the food stored.



### FAST FREEZE

The fast freeze function rapidly lowers the temperature ensuring that fresh food is frozen quickly.



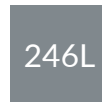
### STAR RATING

Freezer compartments allow food to be stored below -18°C, so that it can be kept for longer.



### LED DISPLAY

To show current and set temperature within the wine cabinet.



### CAPACITY

Giving the overall capacity in litres.

## 50/50 FROST FREE FRIDGE FREEZER

PRRF500



- Frost Free
- Silver trim on shelves and balconies
- Chrome wine rack (optional extra)
- ★★★★★ Freezer rating
- 147 Litre capacity fridge
- 77 Litre capacity freezer
- 3 Adjustable shelves
- 2 Salad crispers
- Reversible doors
- Flame retardant metal back
- Energy rating: F
- Dimensions:  
H 1770 x W 540 x D 540mm
- 5 Year parts & 2 year labour

## 70/30 FROST FREE FRIDGE FREEZER

PRRF700



- Frost Free
- Silver trim on shelves and balconies
- Chrome wine rack (optional extra)
- ★★★★★ Freezer rating
- 182 Litre capacity fridge
- 56 Litre capacity freezer
- 4 Adjustable shelves
- 2 Salad crispers
- Reversible doors
- Flame retardant metal back
- Energy rating: F
- Dimensions:  
H 1770 x W 540 x D 54mm
- 5 Year parts & 2 year labour

## CHROME WINE RACK

PRRF900

Complement your fridge and add a stylish chrome wine rack.



- Fits in PRRF500/502/700/702/208

## SILVER PLINTH APPLIANCE VENTILATION GRILL

PRRF901



- Recommended for any integrated refrigeration installation
- W 500 x H 110mm



## 50/50 FRIDGE FREEZER

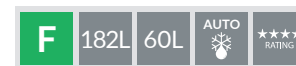
PRRF502



- 147 Litre capacity fridge
- 81 Litre capacity freezer
- Silver trim on shelves and balconies
- Automatic defrost fridge
- Manual defrost freezer
- 3 Adjustable shelves
- 2 Salad crispers
- Reversible doors
- Flame retardant metal back
- ★★★★★ Freezer rating
- Energy rating: F
- Dimensions:  
H 1770 x W 540 x D 540mm
- 5 Year parts & 2 year labour

## 70/30 FRIDGE FREEZER

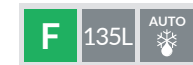
PRRF702



- 182 Litre capacity Fridge
- 60 Litre capacity freezer
- Silver trim on shelves and balconies
- Auto defrost fridge
- Manual defrost freezer
- 4 Adjustable shelves
- 2 Salad crispers
- Reversible doors
- Flame retardant metal back
- ★★★★★ Freezer rating
- Energy rating: F
- Dimensions:  
H 1770 x W 540 x D 540mm
- 5 Year parts & 2 year labour

## UNDER COUNTER LARDER FRIDGE

PRRF100



- 135 Litre capacity fridge
- 3 Glass shelves
- Hettich hinges
- Automatic defrost
- Flame retardant metal back
- Reversible door
- Energy rating: F
- Dimensions:  
H 820-870 x W 596 x D 550mm
- Multiple shelf levels to help utilise space
- 2 Salad crispers
- 5 Year parts & 2 year labour

## UNDER COUNTER FRIDGE WITH ICE BOX

LPR132A1



- 100 Litre capacity fridge
- 17 Litre capacity freezer
- 2 Glass shelves
- Hettich hinges
- Automatic defrost fridge
- Manual defrost freezer
- Flame retardant metal back
- Reversible door
- ★★★★★ Freezer rating
- Energy rating: F
- Dimensions: H 820-870 x W 596 x D 550mm
- 5 Year parts & 2 year labour

## UNDER COUNTER LARDER FREEZER

PRRF102



- 95 Litre capacity freezer
- Fast freeze function
- Hettich hinges
- Flame retardant metal back
- Manual defrost
- Reversible door
- ★★★★★ Freezer rating
- Energy rating: F
- Dimensions: H 818-870 x W 596 x D 550mm
- 5 Year parts & 2 year labour

## BUILT-IN LARDER FRIDGE

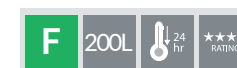
PRRF210



- 301 Litre capacity fridge
- Automatic defrost
- 5 Glass shelves
- 2 Salad drawers
- Energy rating: F
- Silver trim on shelves and balconies
- Flame retardant metal back
- Reversible door
- Chrome wine rack (optional extra)
- Dimensions: H 1770 x W 540 x D 540mm
- 5 Year parts & 2 year labour

## BUILT-IN LARDER FREEZER

PRRF211



- 200 Litre capacity freezer
- 9 Crystal drawers
- Fast freeze function
- Low noise
- Manual defrost
- Flame retardant metal back
- Reversible door
- ★★★★★ Freezer rating
- Energy rating: F
- Dimensions: H 1770 x W 540 x D 540mm
- 5 Year parts & 2 year labour

**150MM  
WINE COOLER  
STAINLESS STEEL**  
PRWC401



- 22 Litre capacity
- 7 Bottle capacity (fits all bottle types)
- 6 Wooden shelves
- Interior LED lighting
- Internal temperature range 4-20°C
- Adjustable feet

**150MM  
WINE COOLER  
BLACK**  
PRWC402



- Energy rating: G
- White LED temperature display
- Dimensions:  
H 870-920 x W 149 x D 528mm
- 5 Year parts & 2 year labour

**300MM  
WINE COOLER  
STAINLESS STEEL**  
PRWC403



- 58 Litre capacity
- 19 Bottle capacity
- 6 Wooden shelves
- Interior LED lighting
- Internal temperature range 4-20°C
- Adjustable feet

**300MM  
WINE COOLER  
BLACK**  
PRWC404



- Energy rating: F
- White LED temperature display
- Dimensions:  
H 870-920 x W 295 x D 573mm
- 5 Year parts & 2 year labour



Prima+ 60cm Dishwasher with space for 14 place settings

# INTEGRATED DISHWASHERS

All Prima dishwashers are integrated into your kitchen ensuring that your kitchen look is seamless.

Look out for our Prima+ products...



Our Prima+ dishwasher has space for an impressive 14 place settings, has a separate and convenient adjustable cutlery tray and an "in operation" floor light to show you when the dishwasher cycle is running, all within a product that has a C energy rating (on a scale from A-G).

With so many features and at such an attractive price, our Prima+ dishwasher is hard to beat.

For technical specifications and features please see page 63



Prima+ Adjustable Cutlery Tray



Prima+ "In Operation" Floor Light

Practical and efficient

## PRIMA+ 60CM INTEGRATED DISHWASHER

PRDW214



- + 14 Place settings
- + "In Operation" floor light
- + Adjustable cutlery drawer
- + Turbo speed function
- + Low noise 42dBA
- + Load-sensing "Auto" program
- + Energy rating: C
  - 7 Programmes
  - 30 Minute rapid wash
  - Height adjustable top basket
  - Delay timer option
  - 3 Spray levels
  - Only uses 10L water on a typical cycle
  - Dimensions: H 815 x W 598 x D 550mm
  - 5 Year parts & 2 year labour

## 60CM INTEGRATED DISHWASHER

PRDW212



- 14 Place settings
- 6 Programmes
- 4 Temperature levels
- 11 Litre water consumption
- 2 Spray levels
- Delay timer option
- 30 Minute rapid wash
- 49 dBA
- Height adjustable top basket
- Energy rating: D
- Adjustable feet
- Dimensions: H 815 x W 598 x D 550mm
- 5 Year parts & 2 year labour

## 60CM INTEGRATED DISHWASHER

PRDW210



- 12 Place settings
- 4 Programmes
- 11 Litre water consumption
- Delay timer option
- 30 Minute rapid wash
- 49 dBA
- Height adjustable top basket
- Energy rating: E
- Dimensions: H 815 x W 598 x D 550mm
- 5 Year parts & 2 year labour

## 45CM INTEGRATED SLIMLINE DISHWASHER

PRDW300



- 10 Place settings
- 6 Programmes
- 4 Temperature levels
- 9 Litre water consumption
- 2 Spray levels
- 30 Minute rapid wash
- 49 dBA
- Energy rating: D
- Adjustable feet
- Delay timer option
- Dimensions: H 815 x W 448 x D 550mm
- 5 Year parts & 2 year labour



*Prima laundry products are all fully integrated*

# INTEGRATED LAUNDRY

*Our Prima laundry range offers a simple choice of washing machine, sensor tumble dryer or a combined washer dryer.*

Every product is integrated so it is hidden away behind your cabinet door even during a wash or drying cycle. With up to 8kg load capacity and a 1400 RPM spin our laundry range offers great specs for its price and comes with our 5 years parts (2 year labour) guarantee.

For technical specifications and features please see page 63



*The Prima Washing Machine has a B Energy Rating and an extra large door for easy loading*

*Perfect for your fitted kitchen*

## INTEGRATED WASHING MACHINE

PRLD370



**B**

- 7kg Load capacity
- 1400 rpm spin
- 16 programmes
- 15 minute quick wash function
- Delay start (0-24 hrs)
- Larger port hole for easy loading
- Energy rating: B
- Dimensions: H 825 x W 595 x D 540mm
- 5 Year parts & 2 year labour

## INTEGRATED WASHER DRYER

PRLD375



**B**

- 8kg Load (6kg Dry) capacity
- 1400 rpm spin
- 16 programmes
- 15 minute quick wash function
- Delay start (0-24 hrs)
- Larger port hole for easy loading
- Energy rating: B
- Dimensions: H 825 x W 595 x D 540mm
- 5 Year parts & 2 year labour



# SINKS

*To complete your kitchen we offer a range of sinks in various materials and styles to suit your tastes and needs.*

All our sinks come with an impressive lifetime guarantee giving you complete peace of mind.

*Look out for our Prima+ products...*



Our luxurious collection of granite sinks offers a great choice of colour finishes as well as excellent durability and practicality.

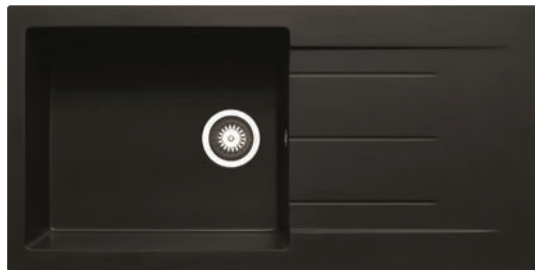
*Complete your kitchen*





**PRIMA+**   
**GRANITE 1.0 BOWL**

CPR318/CPR319/CPR320/CPR321



- + Extra large bowl
- + Scratch resistant
- + Stain resistant
- + Granite
- + Plumbing kit included
  - Waste and overflow included
  - Dimensions: W 1000 x D 500 x H 203mm
  - Bowl dimensions: W 495 x D 415 x H 203mm
  - Cut-out depth: 480mm. Cut-out width: 980mm
  - Minimum cabinet width: 600mm
  - Reversible with pre 'part drilled' tap holes
  - Lifetime guarantee

**PRIMA+**   
**GRANITE 1.5 BOWL**

CPR322/CPR323/CPR324/CPR325




- + Scratch resistant
- + Stain resistant
- + Granite
- + Plumbing kit included
  - Waste and overflow included
  - Dimensions: W 1000 x D 500 x H 203mm
  - Main bowl dimensions: W 340 x D 420 x H 203mm
  - 1/2 bowl dimensions: W 160 x D 340 x H 150mm
  - Cut-out depth: 480mm. Cut-out width: 980mm
  - Minimum cabinet width: 600mm
  - Reversible with pre 'part drilled' tap holes
  - Lifetime guarantee

**PRIMA+**   
**COMPACT GRANITE 1.0 BOWL**

CPR344/CPR345/CPR346/CPR347




- + Compact design for smaller spaces
- + Scratch resistant
- + Stain resistant
- + Granite
- + Plumbing kit included
  - Waste and overflow included
  - Dimensions: W 860 x D 500 x H 203mm
  - Main bowl dimensions: W 340 x D 420 x H 203mm
  - Cut-out depth: 480mm. Cut-out width: 840mm
  - Minimum cabinet width: 500mm
  - Reversible with pre 'part drilled' tap holes
  - Lifetime guarantee

**PRIMA+**   
**GRANITE 1.0 BOWL**  
**UNDERMOUNT SINK**  
 CPR356/CPR357/CPR358



- + Scratch resistant
- + Stain resistant
- + Granite
- + Plumbing kit included
  - Waste and overflow included
  - Dimensions: W 540 x D 440 x H 207mm
  - Bowl dimensions: W 500 x D 400 x H 207mm
  - Cut-out depth: 400mm. Cut-out width: 500mm
  - Minimum cabinet width: 600mm
  - Lifetime guarantee

**PRIMA+**   
**GRANITE 1.5 BOWL**  
**UNDERMOUNT SINK**  
 CPR359/CPR360/CPR361



- + Scratch resistant
- + Stain resistant
- + Granite
- + Plumbing kit included
  - Waste and overflow included
  - Dimensions: W 590 x D 440 x H 207mm
  - Bowl dimensions: W 325 x D 400 x H 207mm
  - 1/2 Bowl dimensions: W 160 x D 400 x H 177mm
  - Cut-out depth: 400mm. Cut-out width: 550mm
  - Minimum cabinet width: 600mm
  - Lifetime guarantee

**PRIMA+**   
**UNIVERSAL FOLDING MAT**  
 CPR900



- Dimensions: Depth 450mm  
 Min width (fully folded) 70mm  
 Max width (fully unfolded) 470mm  
 Height when folded 80mm

**SINGLE BOWL**  
**PLUMBING KIT**  
 CPR106



**TWO BOWL**  
**PLUMBING KIT**  
 CPR108



## 1.0 BOWL TRADITIONAL CERAMIC SINK

CPR412



- Made from durable ceramic
- Waste included
- Dimensions: W 1015 x D 525 x H 220mm
- Bowl dimensions: W 420 x D 400 x H 220mm
- Cut-out depth: 505mm. Cut-out width: 995mm
- Minimum cabinet width: 600mm
- Reversible
- Gloss finish
- CPR106 plumbing kit (optional)
- Lifetime guarantee

## 1.5 BOWL TRADITIONAL CERAMIC SINK

CPR410



- Made from durable ceramic
- Waste included
- Dimensions: W 1015 x D 525 x H 225mm
- Main bowl dimensions: W 360 x D 400 x H 225mm
- 1/2 Bowl dimensions: W 130 x D 260 x H 120mm
- Cut-out depth: 505mm. Cut-out width: 995mm
- Minimum cabinet width: 600mm
- Reversible
- Gloss finish
- CPR108 plumbing kit (optional)
- Lifetime guarantee

## 1.0 BOWL BELFAST SINK

CPR4081



- Made from fine fireclay material with hygienic glazed surface
- Waste included
- Dimensions: W 595 x D 455 x H 250mm
- Minimum cabinet width: 600mm
- Reversible
- Gloss finish
- CPR106 plumbing kit (optional)
- Lifetime guarantee

## Sinks & Taps Packs

### COMPACT 1 BOWL SINK & TAP PACK

CPR040



- Stainless steel
  - Contains waste, overflow and single lever tap
  - Sink dimensions: W 860 x D 500 x H 170mm
  - Minimum cabinet width: 500mm
  - Bowl dimensions: W 380 x D 400 x H 160mm
  - Reversible Sink
  - Cut-out depth: 482mm. Cut-out width: 842mm
  - Made from 0.6mm gauge stainless steel
  - Pre-drilled tap holes
  - Tap minimum pressure 0.3 bar
  - Flow aerator
  - Fully WRAS approved tap
  - CPR106 plumbing kit (optional)
  - Sink: Lifetime guarantee;
- Tap: 10 year body & finish, 3 year valves, 1 year serviceable parts

### 1 BOWL SINK & TAP PACK

CPR041



- Stainless steel
  - Contains waste, overflow and single lever tap
  - Sink dimensions: W 965 x D 500 x H 170mm
  - Minimum cabinet width: 550mm
  - Bowl dimensions: W 410 x D 410 x H 170mm
  - Reversible Sink
  - Cut-out depth: 476mm. Cut-out width: 941mm
  - Made from 0.6mm gauge stainless steel
  - Pre-drilled tap holes
  - Tap minimum pressure 0.3 bar
  - Flow aerator
  - Fully WRAS approved tap
  - CPR106 plumbing kit (optional)
  - Sink: Lifetime guarantee;
- Tap: 10 year body & finish, 3 year valves, 1 year serviceable parts

### 1.5 BOWL SINK & TAP PACK

CPR042



- Stainless steel
  - Contains waste, overflow and single lever tap
  - Sink dimensions: W 965 x D 500 x H 155mm
  - Minimum cabinet width: 600mm
  - Main bowl dimensions: W 346 x D 396 x H 130mm
  - 1/2 bowl dimensions: W 170 x D 320 x H 70mm
  - Reversible Sink
  - Cut-out depth: 482mm. Cut-out width: 947mm
  - Made from 0.6mm gauge stainless steel
  - Pre-drilled tap holes
  - Tap minimum pressure 0.3 bar
  - Flow aerator
  - Fully WRAS approved tap
  - CPR108 plumbing kit (optional)
  - Sink: Lifetime guarantee;
- Tap: 10 year body & finish, 3 year valves, 1 year serviceable parts

## Stainless Steel Sinks

### 1.0 BOWL SINK

CPR024



- Stainless steel
- Sink dimensions: W 965 x D 500 x H 170mm
- Bowl dimensions: W 410 x D 410 x H 170mm
- Minimum cabinet width: 550mm
- Reversible Sink
- Cut-out depth: 476mm  
Cut-out width: 941mm
- Made from 0.6mm gauge stainless steel
- Pre-drilled tap holes
- CPR106 plumbing kit (optional)
- Lifetime guarantee

### 1.5 BOWL SINK

CPR026



- Stainless steel
- Sink dimensions: W 965 x D 500 x H 155mm
- Main bowl dimensions: W 346 x D 396 x H 130mm
- 1/2 Bowl dimensions: W 170 x D 320 x H 70 mm
- Minimum cabinet width: 600mm
- Reversible Sink
- Made from 0.6mm gauge stainless steel
- Cut-out depth: 482mm  
Cut-out width: 947mm
- Pre-drilled tap holes
- CPR108 plumbing kit (optional)
- Lifetime guarantee



## Stainless Steel Sinks

### DEEP BOWL 1.0

CPR030



- Made from 0.8mm gauge stainless steel
- Dimensions: W 1000 x D 500 x H 200mm
- Bowl dimensions: W 480 x D 400 x H 200mm
- Minimum cabinet width: 600mm
- Reversible
- Waste & overflow included
- CPR106 plumbing kit (optional)
- Lifetime guarantee

### DEEP BOWL 1.5

CPR032



- Made from 0.8mm gauge stainless steel
- Dimensions: W 1000 x D 500 x H 200mm
- Main bowl dimensions: W 350 x D 410 x H 200mm
- 1/2 Bowl dimensions: W 164 x D 300 x H 143mm
- Minimum cabinet width: 600mm
- Reversible
- Waste & overflow included
- CPR108 plumbing kit (optional)
- Lifetime guarantee



**PRIMA+**   
**R10 0.5 BOWL**  
**INSET/UNDERMOUNT SINK**  
CPR516



- + The R10 range offers an ultra modern design with tight angles on the internal corners of the sink
- Waste and overflow included
- Dimensions: W 220 x D 440 x H 125mm
- Bowl dimensions: W 180 x D 400 x H 119
- Includes a cut-out template
- Minimum cabinet width: 250mm
- CPR106 plumbing kit available (optional)
- Lifetime guarantee

**PRIMA+**   
**R10 1.0 BOWL**  
**INSET/UNDERMOUNT SINK**  
CPR518



- + The R10 range offers an ultra modern design with tight angles on the internal corners of the sink
- Waste and overflow included
- Dimensions: W 380 x D 440 x H 190mm
- Bowl dimensions: W 340 x D 400 x H 190mm
- Includes a cut-out template
- Minimum cabinet width: 450mm
- CPR106 plumbing kit available (optional)
- Lifetime guarantee

**PRIMA+**   
**R10 1.0 BOWL MEDIUM**  
**INSET/UNDERMOUNT SINK**  
CPR520



- + The R10 range offers an ultra modern design with tight angles on the internal corners of the sink
- Waste and overflow included
- Dimensions: W 450 x D 440 x H 190mm
- Bowl dimensions: W 410 x D 400 x H 190mm
- Includes a cut-out template
- Minimum cabinet width: 450mm
- CPR106 plumbing kit available (optional)
- Lifetime guarantee

## Stainless Steel Sinks

**PRIMA+**   
**R10 1.0 BOWL LARGE  
INSET/UNDERMOUNT SINK**  
CPR522



- + The R10 range offers an ultra modern design with tight angles on the internal corners of the sink
- Waste & overflow included
- Dimensions: W 590 x D 440 x H 190mm
- Main bowl dimensions: W 550 x D 400 x H 190mm
- Includes a cut-out template
- Minimum cabinet width: 600mm
- CPR106 plumbing kit available (optional)
- Lifetime guarantee

**PRIMA+**   
**R10 1.5 BOWL  
INSET/UNDERMOUNT SINK**  
CPR524




- + The R10 range offers an ultra modern design with tight angles on the internal corners of the sink
- Waste and overflow included
- Dimensions: W 590 x D 440 x H 190mm
- Main bowl dimensions: W 340 x D 400 x H 190mm
- ½ Bowl dimensions: W 180 x D 400 x H 125mm
- Includes a cut-out template
- Minimum cabinet width: 600mm
- Left hand main bowl
- CPR108 plumbing kit available (optional)
- Lifetime guarantee

**PRIMA+**   
**R10 1.5 BOWL LARGE  
INSET/UNDERMOUNT SINK**  
CPR526




- + The R10 range offers an ultra modern design with tight angles on the internal corners of the sink
- Waste and overflow included
- Dimensions: W 660 x D 440 x H 190mm
- Main bowl dimensions: W 410 x D 400 x H 190mm
- ½ Bowl dimensions: W 180 x D 400 x H 125mm
- Includes a cut-out template
- Minimum cabinet width: 700mm
- Left hand main bowl
- CPR108 plumbing kit available (optional)
- Lifetime guarantee



**PRIMA+**   
**R25 0.5 BOWL**  
**UNDERMOUNT SINK**  
 CPR044




- + The R25 range offers a contemporary design with tight angles on the internal corners of the sink
- Waste & overflow included
- Dimensions: W 234 x D 450 x H 120mm
- Bowl dimensions:  
W 180 x D 396 x H 120mm
- Includes a cut-out template
- Minimum cabinet width: 250mm
- CPR106 plumbing kit available (optional)
- Lifetime guarantee

**PRIMA+**   
**R25 1.0**  
**COMPACT BOWL**  
**UNDERMOUNT SINK**  
 CPR046




- + The R25 range offers a contemporary design with tight angles on the internal corners of the sink
- Waste & overflow included
- Dimensions: W 390 x D 450 x H 190mm
- Bowl dimensions:  
W 340 x D 400 x H 190mm
- Includes a cut-out template
- Minimum cabinet width: 400mm
- CPR106 plumbing kit available (optional)
- Lifetime guarantee

**PRIMA+**   
**R25 1.0 BOWL LARGE**  
**UNDERMOUNT SINK**  
 CPR048



- + The R25 range offers a contemporary design with tight angles on the internal corners of the sink
- Waste & overflow included
- Dimensions: W 530 x D 450 x H 200mm
- Bowl dimensions:  
W 480 x D 400 x H 200mm
- Includes a cut-out template
- Minimum cabinet width: 600mm
- CPR106 plumbing kit available (optional)
- Lifetime guarantee

**PRIMA+**   
**R25 1.0 BOWL**  
**EXTRA LARGE**  
**UNDERMOUNT SINK**  
 CPR050



- + The R25 range offers a contemporary design with tight angles on the internal corners of the sink
- Waste & overflow included
- Dimensions: W 700 x D 450 x H 200mm
- Bowl dimensions:  
W 650 x D 400 x H 200mm
- Includes a cut-out template
- Minimum cabinet width: 700mm
- CPR106 plumbing kit available (optional)
- Lifetime guarantee

## Stainless Steel Sinks

### PRIMA+ R25 1.5 BOWL REVERSIBLE UNDERMOUNT SINK

CPR052



- + The R25 range offers a contemporary design with tight angles on the internal corners of the sink
- Waste & overflow included
- Dimensions: W 580 x D 450 x H 190mm
- Main bowl dimensions: W 340 x D 400 x H 190mm
- ½ Bowl dimensions: W 160 x D 300 x H 110mm
- Includes a cut-out template
- Minimum cabinet width: 600mm
- Reversible
- CPR108 plumbing kit available (optional)
- Lifetime guarantee

### PRIMA+ R25 1.5 BOWL UNDERMOUNT SINK

CPR054




- + The R25 range offers a contemporary design with tight angles on the internal corners of the sink
- Waste & overflow included
- Dimensions: W 580 x D 450 x H 190mm
- Main bowl dimensions: W 340 x D 400 x H 190mm
- ½ Bowl dimensions: W 160 x D 300 x H 120mm
- Includes a cut-out template
- Minimum cabinet width: 600mm
- Left hand main bowl
- CPR108 plumbing kit available (optional)
- Lifetime guarantee

### PRIMA+ R25 1.5 BOWL LARGE UNDERMOUNT SINK

CPR056



- + The R25 range offers a contemporary design with tight angles on the internal corners of the sink
- Waste & overflow included
- Dimensions: W 740 x D 450 x H 195mm
- Main bowl dimensions: W 480 x D 400 x H 195mm
- ½ Bowl dimensions: W 180 x D 396 x H 120mm
- Includes a cut-out template
- Minimum cabinet width: 700mm
- Left hand main bowl
- CPR108 plumbing kit available (optional)
- Lifetime guarantee

**PRIMA+**   
**1.5 BOWL REVERSIBLE UNDERMOUNT SINK**  
 CPR510



- + 0.8mm SS304 powder coated stainless steel
- + 180mm deep main bowl
- R50 radius gives smooth rounded internal corners
- Waste & hygienic overflow included
- Dimensions:  
W 600 x D 450 x H 180mm
- Main bowl dimensions:  
W 340 x D 400 x H 180mm
- 1/2 Bowl dimensions:  
W 180 x D 400 x H 120mm
- Includes a cut-out template
- Minimum cabinet width: 600mm
- Reversible
- Waste disposal compatible
- CPR108 plumbing kit (optional)
- Lifetime guarantee

**1.5 BOWL UNDERMOUNT SINK**  
 CPR514 - RIGHT HAND SMALL BOWL  
 CPR512 - LEFT HAND SMALL BOWL



- Made from 0.8mm gauge stainless steel
- R50 radius gives smooth rounded internal corners
- Waste & overflow included
- Dimensions:  
W 594 x D 460 x H 190mm
- Main bowl dimensions:  
W 350 x D 410 x H 190mm
- 1/2 Bowl dimensions:  
W 164 x D 300 x H 110mm
- Includes a cut-out template
- Minimum cabinet width: 600mm
- Right-handed (Also available in left-handed)
- CPR108 plumbing kit (optional)
- Lifetime guarantee

**1.5 BOWL REVERSIBLE UNDERMOUNT SINK**  
 CPR506



- Made from 0.8mm gauge stainless steel
- R50 radius gives smooth rounded internal corners
- Waste & overflow included
- Dimensions:  
W 595 x D 460 x H 185mm
- Main bowl dimensions:  
W 350 x D 410 x H 185mm
- 1/2 Bowl dimensions:  
W 164 x D 300 x H 110mm
- Minimum cabinet width: 600mm
- Reversible
- Waste disposal compatible
- CPR108 plumbing kit (optional)
- Lifetime guarantee

**LARGE BOWL UNDERMOUNT SINK**  
 CPR508



- Made from 0.8mm gauge stainless steel
- R50 radius gives smooth rounded internal corners
- Waste & overflow included
- Dimensions: W 530 x D 450 x H 195mm
- Internal dimensions: 480 x 400mm
- Minimum cabinet width: 600mm
- Waste disposal compatible
- CPR106 plumbing kit (optional)
- Lifetime guarantee



# TAPS

*Our taps not only offer stylish design, but are manufactured to a high standard and come with a fantastic guarantee\*.*

*Look out for our Prima+ products...*



From 3 in 1 hot taps to premium Italian designed taps, our '+' collection delivers on style and functionality.

\*please see individual tap models for guarantee information

*Complete your kitchen*



**PRIMA+**   
**3 IN 1 HOT TAP**





BPR402 - CHROME

BPR403 - BRUSHED STEEL

BPR404 - COPPER

BPR405 - MATT BLACK



-  Instantly boiled hot water (max 98°C)
-  Supplied with tank & filter
-  Digital touch control boiler display
-  3 temperature options: 98°C, 96°C, 75°C

- Contemporary chrome single flow tap
- Pressure less safety design with a child lock
- Anti-scald safety tap
- 2.4L boiler capacity
- New 'Dry Burn' protection sensor
- UK manufactured water filter
- Tap dimensions: Overall height - 347mm, Spout height - 250mm, Spout reach - 197mm
- Operating pressure: 1.5 to 5 bar
- WRAS approved
- Guarantee: 10 year body & finish; 3 year valves; 1 year serviceable parts; 2 year tank

Hot Tap Filter  
BPR900



Hot Tap Tank



**CHILD SAFE:** handle must be kept pressed to run boiling hot water

## Granite Sink Co-ordinating Taps

### PRIMA+ COLOURED COLLECTION

- BPR700 - BLACK
- BPR702 - GREY
- BPR706 - GUN METAL
- BPR704 - WHITE



 Ideal to co-ordinate with Prima+ Granite Sinks

- Quarter turn operation
- Brushed steel base
- Single flow tap
- Minimum pressure: 0.3 bar
- Flow aerator for controlled water delivery
- WRAS approved
- Dimensions: Overall height - 378mm; Spout height - 250mm; Spout reach - 225mm; Base/handle width - 148mm
- Guarantee: 5 year body & finish; 3 year valves; 1 year serviceable parts

### PRIMA+ COLOURED COLLECTION WITH PULL-OUT

- BPR710 - BLACK
- BPR711 - GREY
- BPR712 - GUN METAL
- BPR713 - WHITE



 Ideal to co-ordinate with Prima+ Granite Sinks

- Single lever operation
- Brushed steel base
- Minimum pressure: 0.7 bar
- Flow aerator for controlled water delivery
- Dimensions: Overall height - 479mm; Spout Height - 202mm; Spout Reach - 230mm; Base/Handle Width - 50mm
- Guarantee: 5 year body & finish; 3 year valves; 1 year serviceable parts

**PRIMA+**  
**TIBER SINGLE LEVER  
 FLAT SPOUT  
 MIXER TAP**

BPR501



- + Premium Italian designed tap
- + Stainless steel
- Ceramic disk cartridge
- 360° swivel spout
- Quarter turn operation
- Dimensions:  
 Overall height - 301mm,  
 Spout height - 281mm,  
 Spout reach - 220mm,  
 Base/handle width - 30mm
- Minimum pressure: 0.7 bar
- 5 year guarantee

**PRIMA+**  
**TIBER SINGLE LEVER  
 ROUND SPOUT  
 MIXER TAP**

BPR502



- + Premium Italian designed tap
- + Stainless steel
- Ceramic disk cartridge
- 360° swivel spout
- 45° handle operation
- Dimensions:  
 Overall height - 356mm,  
 Spout height - 221mm,  
 Spout reach - 201mm,  
 Base/handle width - 45mm
- Minimum pressure: 0.7 bar
- 5 year guarantee

**PRIMA+**  
**TIBER SINGLE LEVER  
 MIXER WITH  
 PULL OUT SPOUT**

BPR550



- + Premium Italian designed tap
- + Stainless steel with black spout
- Pull out spout
- Ceramic disk cartridge
- 360° swivel spout
- 45° handle operation
- Dimensions:  
 Overall height - 356mm,  
 Spout height - 191mm,  
 Spout reach - 204mm,  
 Base/handle width - 45mm
- Minimum pressure: 0.7 bar
- 5 year guarantee

**PRIMA+**  
**TIBER SINGLE LEVER  
 MIXER WITH  
 PULL OUT SPOUT**

BPR551



- + Premium Italian designed tap
- + Stainless steel
- Pull out spout
- Ceramic disk cartridge
- 360° swivel spout
- 45° handle operation
- Dimensions:  
 Overall height - 356mm,  
 Spout height - 191mm,  
 Spout reach - 204mm,  
 Base/handle width - 45mm
- Minimum pressure: 0.7 bar
- 5 year guarantee

**PRIMA+ **  
**RIACE SQUARE**  
**SINGLE LEVER**  
**MIXER TAP**

BPR503



- +** Premium Italian designed tap
- Chrome finish
- Ceramic disk cartridge
- 360° swivel spout
- 45° handle operation
- Dimensions:  
 Overall height - 315mm,  
 Spout height - 235mm,  
 Spout reach - 205mm,  
 Base/handle width - 43mm
- Minimum pressure: 0.7 bar
- 5 year guarantee

**PRIMA+ **  
**RIACE ROUND**  
**SINGLE LEVER**  
**MIXER TAP**

BPR504



- +** Premium Italian designed tap
- Chrome finish
- Ceramic disk cartridge
- 360° swivel spout
- 45° handle operation
- Dimensions:  
 Overall height - 354mm,  
 Spout height - 236mm,  
 Spout reach - 221mm,  
 Base/handle width - 43mm
- Minimum pressure: 0.7 bar
- 5 year guarantee

**PRIMA+ **  
**RIACE 'L'**  
**SINGLE LEVER**  
**MIXER TAP**

BPR505



- +** Premium Italian designed tap
- Chrome finish
- Ceramic disk cartridge
- 360° swivel spout
- 45° handle operation
- Dimensions:  
 Overall height - 295mm,  
 Spout height - 265mm,  
 Spout reach - 210mm,  
 Base/handle width - 43mm
- Minimum pressure: 0.7 bar
- 5 year guarantee

**PRIMA+ **  
**RIACE 'L'**  
**SINGLE LEVER**  
**MIXER TAP**  
**WITH PULL OUT SPOUT**

BPR554



- +** Premium Italian designed tap
- Chrome finish
- Pull out spout
- Ceramic disk cartridge
- 45° handle operation
- Dimensions:  
 Overall height - 296mm,  
 Spout height - 262mm,  
 Spout reach - 221mm,  
 Base/handle width - 44mm
- Minimum pressure: 0.7 bar
- 5 year guarantee



**PRIMA+  
MURRAY  
SINGLE LEVER  
MIXER TAP**

BPR506



- + Premium Italian designed tap
- Chrome finish
- Ceramic disk cartridge
- 360° swivel spout
- 45° handle operation
- Dimensions:  
Overall height - 205mm,  
Spout height - 175mm,  
Spout reach - 210mm,  
Base/handle width - 51mm
- Minimum pressure: 0.7 bar
- 5 year guarantee

**PRIMA+  
MURRAY  
SINGLE LEVER  
MIXER TAP  
WITH PULL OUT SPOUT**

BPR555



- + Premium Italian designed tap
- Chrome finish
- Pull out spout
- Ceramic disk cartridge
- 45° handle operation
- Dimensions:  
Overall height - 222mm,  
Spout height - 173mm,  
Spout reach - 202mm,  
Base/handle width - 50mm
- Minimum pressure: 0.7 bar
- 5 year guarantee

**PRIMA+  
MOSA SINGLE LEVER  
MIXER TAP  
WITH PULL OUT**

BPR552



- + Premium Italian designed tap
- + Double jet flow
- Chrome finish
- Pull out spout
- Ceramic disk cartridge
- 67° handle operation
- Dimensions:  
Overall height - 357mm,  
Spout height - 316mm,  
Spout reach - 187mm,  
Base/handle width - 30mm
- Minimum pressure: 0.7 bar
- 5 year guarantee

**PRIMA+  
MOSA SINGLE LEVER  
ADJUSTABLE  
SPRING MIXER TAP**

BPR553



- + Premium Italian designed tap
- + Double jet flow
- Chrome finish
- Ceramic disk cartridge
- 360° swivel spout
- Quarter turn handle operation
- Dimensions:  
Overall height - 470mm,  
Spout height - 159mm,  
Spout reach - 212mm,  
Base/handle width - 44mm
- Minimum pressure: 0.7 bar
- 5 year guarantee

## Contemporary Taps

### PROFESSIONAL COPPER MIXER TAP

BPR722



- Brushed Copper finish
- BPR790 matching waste available
- Single lever
- Single flow tap
- Dimensions:
  - Overall height - 345mm,
  - Spout height - 243mm,
  - Spout reach - 172mm,
  - Base/handle width - 134mm
- Minimum pressure: 0.5 bar
- Guarantee: 10 year body & finish;  
3 year valves; 1 year serviceable parts

### PROFESSIONAL DUAL LEVER MIXER TAP

BPR320



- Multi-function spray nozzle
- Flexi spout
- Chrome finish
- Single lever
- Single flow tap
- Dimensions:
  - Overall height - 540mm,
  - Spout height - 181mm,
  - Spout reach - 226mm,
  - Base/Handle width - 147mm
- Minimum pressure: 1.0 bar
- Guarantee: 10 year body & finish;  
3 year valves; 1 year serviceable parts

### PROFESSIONAL SINGLE LEVER MIXER TAP

BPR604



- Multi-function spray nozzle
- Flexi spout
- Chrome finish
- Single lever
- Single flow tap
- Dimensions:
  - Overall height - 389mm,
  - Spout height - 224mm,
  - Spout reach - 220mm,
  - Base/Handle width - 111mm
- Minimum Pressure: 1.0 bar
- Guarantee: 10 year body & finish;  
3 year valves; 1 year serviceable parts

## ASTORIA SQUARE MIXER TAP

BPR2244



- Quarter turn operation
- Chrome finish
- Ceramic disc valve
- Aerator
- 360° swivel spout
- Dimensions: Overall height - 348mm, Spout height - 331mm, Spout reach - 190mm, Base/Handle width 147mm
- Minimum pressure: 0.2 bar
- Guarantee: 10 year body & finish; 3 year valves; 1 year serviceable parts

## CHELSEA SWAN NECK MIXER TAP

BPR2223 - CHROME  
BPR2224 - BRUSHED FINISH



- WRAS Approved
- Quarter turn operation
- Chrome or brushed finish
- Ceramic disc valve
- Aerator
- 360° swivel spout
- Dimensions: Overall height - 377mm, Spout height - 272mm, Spout reach - 200mm, Base/Handle width - 123mm
- Minimum Pressure: 0.2 bar
- Guarantee: 10 year body & finish; 3 year valves; 1 year serviceable parts

## RHODE U SPOUT MIXER TAP

BPR2233



- WRAS Approved
- Quarter turn operation
- Chrome finish
- Ceramic disc valve
- Aerator
- 360° swivel spout
- Dimensions: Overall height - 325mm, Spout height - 255mm, Spout reach - 205mm, Base/Handle width - 145mm
- Minimum pressure: 0.5 bar
- Guarantee: 10 year body & finish; 3 year valves; 1 year serviceable parts

## ALBANY MIXER TAP

BPR2245



- Quarter turn operation
- Single flow tap
- Chrome finish
- Ceramic disc valve
- Aerator
- Dimensions: Overall height - 310mm, Spout height - 203mm, Spout reach - 190mm, Base/Handle width - 134mm
- Minimum pressure: 0.2 bar
- Guarantee: 10 year body & finish; 3 year valves; 1 year serviceable parts

## Contemporary Taps

### SOHO SWAN NECK MIXER TAP

BPR2052 - CHROME  
BPR2055 - BRUSHED FINISH



- Single lever
- Chrome or brushed finish
- Single flow tap
- Dimensions: Overall height - 345mm, Spout height - 243mm, Spout reach - 172mm, Base/Handle width - 90mm
- Minimum Pressure: 0.5 bar
- Guarantee: 10 year body & finish; 3 year valves; 1 year serviceable parts

### VOGUE MIXER TAP

BPR2262 - CHROME



- Quarter turn operation
- Chrome finish
- Single flow tap
- Dimensions: Overall height - 360mm, Spout height - 276mm; Spout reach - 193mm, Base/Handle width - 134mm
- Minimum Pressure: 0.5 bar
- Guarantee: 10 year body & finish; 3 year valves; 1 year serviceable parts

### STATEN MIXER TAP

BPR2205 - CHROME  
BPR2206 - BRUSHED FINISH  
BPR2207 - BLACK



- WRAS Approved
- Quarter turn operation
- Chrome, brushed or black finish
- Single flow tap
- Dimensions: Overall height - 336.5mm, Spout height - 245mm, Spout reach - 171.5mm, Base/Handle Width - 137.5mm
- Minimum Pressure: 0.5 bar
- Guarantee: 10 year body & finish; 3 year valves; 1 year serviceable parts

### DUAL LEVER V SHAPE MIXER TAP

BPR1057 - CHROME  
BPR1058 - BRUSHED FINISH  
BPR1059 - BLACK



- WRAS Approved
- Quarter turn operation
- Chrome, brushed or black finish
- Single flow tap
- Dimensions: Overall height - 314mm, Spout height - 213mm, Spout reach - 172mm, Base/Handle width - 205mm
- Minimum pressure: 0.2 bar
- Guarantee: 10 year body & finish; 3 year valves; 1 year serviceable parts

## SINGLE LEVER MIXER TAP

BPR1064 - CHROME

BPR1065 - BLACK



- Chrome is WRAS Approved
- Single lever
- Chrome or black finish
- Single flow tap
- Dimensions:  
Overall height - 174mm, Spout height - 151mm,  
Spout reach - 212mm, Base/Handle width - 51mm
- Minimum pressure: 0.2 bar
- Guarantee: 10 year body & finish;  
3 year valves; 1 year serviceable parts

## BELFAST DUAL LEVER MIXER TAP

BPR1056



- WRAS Approved
- Dual lever
- Chrome finish
- Single flow tap
- Dimensions:  
Overall height - 344mm, Spout height - 242mm,  
Spout reach - 172mm, Base/Handle width - 180mm
- Minimum pressure: 0.5 bar
- Guarantee: 10 year body & finish;  
3 year valves; 1 year serviceable parts

## CLASSIC DUAL LEVER MIXER TAP

BPR1055



- WRAS Approved
- Quarter turn operation
- Chrome finish
- Single flow tap
- Dimensions:  
Overall height - 227mm, Spout height - 194mm,  
Spout reach - 224mm, Base/Handle width - 149mm
- Minimum pressure: 0.5 bar
- Guarantee: 10 year body & finish;  
3 year valves; 1 year serviceable parts

# TECHNICAL SPECIFICATIONS AND FEATURES...

OVENS	SINGLE OVENS							BUILT-IN DOUBLE	COMPACT APPLIANCES	BUILT-UNDER DOUBLE
	PRSO106 <sup>Ⓔ</sup>	PRSO108 <sup>Ⓔ</sup>	PRSO110 <sup>Ⓔ</sup>	PRSO105	PRSO107	PRSO101	PRSO103	PRDO302 <sup>Ⓔ</sup>	PRCM333 <sup>Ⓔ</sup>	PRDO304 <sup>Ⓔ</sup>
Controls	Rotary	Touch	Touch	Rotary	Rotary	Rotary	Rotary	Rotary	Touch	Rotary
Colour	Black	Black	Black	Black	Black	St/Steel	St/Steel	Black	Black	Black
Functions	7	10	11	4	4	4	4	4/4	8	4/4
Circa fan cooking	●	●	●	●	●	●	●	● (Main)	●	● (Main)
Fan assisted - conventional cooking with fan	●	●	●	-	-	-	-	-	●	-
Conventional cooking -top & bottom element	●	●	●	-	-	-	-	Upper	●	Upper
Grill with fan	●	●	●	●	●	●	●	● (Main)	●	● (Main)
Circa fan with lower heat	-	●	●	-	-	-	-	-	●	-
Bottom element	●	●	●	-	-	-	-	Upper	●	Upper
Grill	●	●	●	●	●	●	●	● (Upper & Main)	●	● (Upper & Main)
Fan with lower heat	-	●	●	-	-	-	-	-	●	-
Eco grill	-	●	●	-	-	-	-	Upper	●	Upper
Defrost	●	●	●	●	●	●	●	● (Main)	●	● (Main)
Pyrolytic cleaning	-	-	●	-	-	-	-	-	-	-
Manual timer	-	-	-	●	-	●	-	-	-	-
Auto programmer	●	●	●	-	●	-	●	●	●	●
Display colour	White	White	White	-	Amber	-	Amber	White	White	White
Chrome shelf supports	●	●	●	●	●	●	●	●	●	●
Optional telescopic rails	●	●	●	-	-	-	-	● (Main)	-	-
Easy-remove door	●	●	●	●	●	●	●	●	-	●
Easy remove glass for cleaning	●	●	●	●	●	●	●	-	-	-
Oven capacity (Litre) - gross (Net)	80 (76)	80 (76)	80 (76)	66(60)	66(60)	66 (60)	66 (60)	Upper 35 Main 59	45 (40)	Upper 35 Main 50
Energy rating	A	A	A	A	A	A	A	A/A	n/a	A/A
Height (mm)	595	595	595	595	595	595	595	888	455	718
Width (mm)	595	595	595	595	595	595	595	595	595	595
Depth (mm)	567	567	567	565	565	565	565	560	570	560
Maximum connection rating	2.0kw	2.0kw	2.9kw	2.7kw	2.7kw	2.7kw	2.7kw	4.1kw	3.4kw	4.1kw
Fuse rating	13A (plug)	13A (plug)	18A (hard wire)	13A (plug)	13A (plug)	13A (plug)	13A (plug)	18A (hard wire)	13A (plug)	18A (hard wire)

## MICROWAVES

	MICROWAVE	MICROWAVE AND GRILL	MICROWAVE AND GRILL	MICROWAVE	MICROWAVE
Ovens	PRCM111 <sup>+</sup>	LCTM251	LCTM25F	LCTM201	PRCM202
Height (nominal)	39CM	39CM	39CM	39CM	39CM
Stainless Steel	●	●	●	●	Black
Finger print proof finish	-	-	-	-	-
Functions	1	3	3	1	1
Microwave power - W	750W	900W	900W	800W	800W
Microwave power levels	4	5	5	5	5
Grill	-	1000W	1000W	-	-
Defrost	●	●	●	●	●
Timer	●	●	●	●	●
Digital display	●	●	●	●	-
Child safety lock	●	●	●	●	-
St/Steel inner cavity	-	-	-	-	-
Wall cupboard installation (min depth mm)	300	-	-	320	550
Turntable diameter (cm)	25.5	31.5	31.5	24.5	27
Microwave capacity (Litre) - net	22	25	25	20	20
Height (mm)	382	388	388	382	384
Width (mm)	595	595	595	594	595
Depth (mm)	320	410	410	316	336
Maximum connection rating	1.3kw	2.5kw	2.5kw	1.3kw	0.8kw

# HOBS

	GAS ON GLASS						GAS			
	PRGH218 <sup>Ⓐ</sup>	PRGH220 <sup>Ⓐ</sup>	PRGH222 <sup>Ⓐ</sup>	PRGH212	PRGH214	PRGH216	PRGH106	PRGH108	PRGH114	PRGH116
Nominal size	60CM	70CM	90CM	60CM	70CM	90CM	60CM	60CM	70CM	90CM
Colour	Black Glass	Black Glass	Black Glass	Black Glass	Black Glass	Black Glass	St/Steel	St/Steel	St/Steel	St/Steel
Controls	Rotary	Rotary	Rotary	Rotary	Rotary	Rotary	Rotary	Rotary	Rotary	Rotary
Glass edge	Frameless	Frameless	Frameless	Frameless	Frameless	Frameless	-	-	-	-
Auto ignition (push and turn)	●	●	●	●	●	●	●	●	●	●
Flame failure device	●	●	●	●	●	●	●	●	●	●
Cast iron pan supports	●	●	●	●	●	●	●	●	●	●
Enamel pan supports	-	-	-	-	-	-	●	-	-	-
LPG conversion kit included	●	●	●	●	●	●	●	●	●	●
Controls	Front	Front	Front	Front	Front	Front	Side	Side	Front	Front
No of burners / zones	4	5	5	4	5	5	4	4	5	5
Output - front left	2900W	1700W	1700W	3000W	1000W	1000W	2900W	2900W	1750W	1000W
Output - front right	950W	950W	950W	1000W	1000W	1750W	950W	950W	1000W	1750W
Output - middle/far left/ bridging zone	-	3500W	3500W	-	3800W	3800W	-	-	3800W	3800W
Output - back left	1700W	1700W	1700W	1750W	1750W	3000W	1700W	1700W	1750W	3000W
Output - back right	1700W	2900W	1700W	1750W	1750W	1750W	1700W	1700W	3000W	1750W
Auto safety / over temp shut off	-	-	-	-	-	-	-	-	-	-
Residual heat indicators	-	-	-	-	-	-	-	-	-	-
Child lock	-	-	-	-	-	-	-	-	-	-
Digital display	-	-	-	-	-	-	-	-	-	-
Electronic timer	-	-	-	-	-	-	-	-	-	-
Hob dimension (mm)	590x520	690 x 520	860 x 520	580 x 500	700 x 510	860 x 510	590 x 520	590 x 520	680 x 500	860 x 500
Cut-out dimension (mm)	560x490	560 x 490	810 x 490	557 x 477	557 x 477	837 x 477	560 x 490	560 x 490	557 x 477	837 x 477
Maximum connection rating	-	-	-	-	-	-	-	-	-	-



# HOBS

	INDUCTION						CERAMIC ELECTRIC	
	PRVH001 <sup>®</sup>	PRIH204 <sup>®</sup>	PRIH208	PRIH206	PRIH016	PRIH018	PRCEH106	PRCEH104
Nominal size	80CM	60CM	90CM	75CM	75CM	60CM	60CM	60CM
Colour	Black Glass	Black Glass	Black Glass	Black Glass	Black Glass	Black Glass	Black Glass	Black Glass
Controls	Touch	Slider	Touch	Slider	Touch	Touch	Touch	Rotary
Glass edge	Frameless	St/Steel	Frameless	Frameless	Frameless	Frameless	Frameless	Frameless
Auto ignition (push and turn)	-	-	-	-	-	-	-	-
Flame failure device	-	-	-	-	-	-	-	-
Cast iron pan supports	-	-	-	-	-	-	-	-
Enamel pan supports	-	-	-	-	-	-	-	-
LPG conversion kit included	-	-	-	-	-	-	-	-
Controls	Front	Front	Front	Front	Front	Front	Side	Side
No of burners / zones	4	4	5	5	4	4	4	4
Output - front left	-	2600W	1800W	2000W	2000W	2000W	1800W	1800W
Output - front right	1500W	1800W	1500W	1500W	1500W	1500W	1200W	1200W
Output - middle/far left/ bridging zone	3000W	-	2200W	2000W	-	-	-	-
Output - back left	-	1800W	1500W	1500W	1500W	1500W	1200W	1200W
Output - back right	2000W	2600W	1800W	2000W	2000W	2000W	1800W	1800W
Auto safety / over temp shut off	●	●	●	●	●	●	●	●
Residual heat indicators	●	●	●	●	●	●	●	●
Child lock	●	●	●	●	●	●	●	●
Digital display	●	●	●	●	●	●	●	●
Electronic timer	●	●	●	●	●	●	-	-
Other Features:								
Hood speed levels	3	-	-	-	-	-	-	-
Extraction rate (m <sup>3</sup> /hr)	398	-	-	-	-	-	-	-
Noise level (dBA)	61	-	-	-	-	-	-	-
Vent dimensions	370 x 39 x 138	-	-	-	-	-	-	-
Hob dimension (mm)	800 x 520	590 x 520	860 x 520	750 x 520	590 x 520	590 x 520	580 x 510	580 x 510
Cut-out dimension (mm)	780 x 500	560 x 490	830 x 490	730 x 490	560 x 490	560 x 490	564 x 494	564 x 494
Maximum connection rating	6.8kw	7kw	8.8kw	7.4kw	7kw	3kw	6.0kw	6.0kw

# HOODS

	CEILING	DOWNDRAFT	ANGLED			BOX	CURVED GLASS ISLAND	FLAT GLASS CHIMNEY	CURVED GLASS CHIMNEY		CHIMNEY		INTEGRATED	VISOR		CANOPY			
	PRCH301 <sup>Ⓐ</sup> (90CM)	PRDE0004 <sup>Ⓐ</sup>	PRAE0030 <sup>Ⓐ</sup>	PRAE1002 <sup>Ⓐ</sup> (60CM) PRAE1004 <sup>Ⓐ</sup> (70CM) PRAE1006 <sup>Ⓐ</sup> (90CM)	PRAE0018 <sup>Ⓐ</sup> (60CM) PRAE0020 <sup>Ⓐ</sup> (70CM) PRAE0022 <sup>Ⓐ</sup> (90CM)	PRCH026 <sup>Ⓐ</sup> PRCH028 <sup>Ⓐ</sup> PRCH030 <sup>Ⓐ</sup>	PRCGH100	PRFH002 (60CM)	PRCGH008 (60CM) PRCGH010 (70CM) PRCGH012 (90CM)	PRCGH009 (60CM) PRCGH011 (70CM) PRCGH013 (90CM)	PRCH020 (60CM) PRCH022 (70CM) PRCH024 (90CM)	PRCH021 (60CM) PRCH023 (90CM)	PRCH550	PRCH600	PRCH400	PRCH700	PRCH701		
Nominal size	90cm	90cm	60cm	60/70/90cm	60/70/90cm	60/70/90cm	90cm	60cm	60/70/90cm	60/70/90cm	60/70/90cm	60/70/90cm	60cm	60cm	60cm	60cm	73cm		
Colour	St/Steel	Glass/Steel	Black/Steel	Glass/Steel	Black	St/Steel	St/Steel	St/Steel	St/Steel	Black	St/Steel	Black	Grey	St/Steel	Silver	Grey	Grey		
Controls	Remote	T/Control	T/Control	T/Control	Push Button	T/Control	Push Button	Push Button	Push Button	Push Button	Push Button	Push Button	Slider	Slider	Slider	Slider	Slider		
Speed levels	4	3	3	3	3	3	3	3	3	3	3	3	3	3	3	3	3		
Extraction rate (m³/hr)	718	549	387	387	387	354	360	278	278	278	379	379	263	273	231	273	273		
Noise (dB)	69	67	62	62	62	70	63	65	65	65	60	60	61	61	62	61	61		
Filter (optional)	—	1 x PRF008	1 x PRF006	1 x PRF006	1 x PRF006	1 x PRF007	1 x PRF006	1 x PRF006	1 x PRF006	1 x PRF006	1 x PRF006	1 x PRF006	1 x LIA210 (Pk of 2)	1 x LIA210 (Pk of 2)	1 x LIA210	1 x LIA210	1 x LIA210	1 x LIA210	1 x LIA210
Grease filters	Aluminium	Aluminium	Aluminium	Aluminium	Aluminium	Aluminium	Aluminium	Aluminium	Aluminium	Aluminium	Aluminium	Aluminium	Aluminium	Acrylic	Aluminium	Acrylic	Acrylic	Acrylic	
Outlet diameter	150mm	150mm	125mm	125mm	125mm	125mm	125mm	125mm	125mm	125mm	150mm	150mm	120mm	150mm	120mm	150mm	150mm		
Bulbs	4 x 2W LED	2 x 1W LED	2 x 1W LED	2 x 1W LED	2 x 1W LED	2 x 1W LED	2 x 1W LED	1W LED	1W LED	1W LED	2 x 2.8W LED	2 x 2.8W LED	1 x 2.8W LED	2 x 2.8W LED	1 x 2.8W LED	1 x 2.8W LED	2 x 2.8W LED		
Height (mm)	215	300	827-1127	810-1110	780-1080	450-750	830-1050	430-730	540-740	540-740	668-898	668-898	400	175	150	148	148		
Width (mm)	900	880	600	600/700/900	600/700/900	600/700/900	900	600	600/700/900	600/700/900	600/700/900	600/700/900	600	598	600	527	707		
Depth (mm)	600	90	333	330	313	450	600	450	450	450	450	450	495	306-456	520	283	283		
Chimney W x D (mm)	—	—	260 x 180	260 x 180	260 x 180	185 x 175	277 x 263	400 x 330	205 x 230	205 - 230	185 x 175	185 x 175	—	—	—	—	—		
Other features			White LED to match Prima Plus Ovens	15 minute timer		Adjustable timer digital LED clock			Chimney flue extension available			Chimney flue extension available							
			15 minute timer																
Prima ducting kit (optional)	PRDK150	PRDK150	PRDK125	PRDK125	PRDK125	PRDK125	PRDK125	PRDK125	PRDK125	PRDK125	PRDK150	PRDK150	PRDK125	PRDK150	PRDK125	PRDK125	PRDK150		

## COOLING

	BUILT-UNDER INTEGRATED			FULL HEIGHT INTEGRATED					
	PRRF100	PRRF102	LPR132A1	PRRF210	PRRF211	PRRF500	PRRF700	PRRF502	PRRF702
Nominal height	-	-	-	177cm	177cm	177cm	177cm	177cm	177cm
Larder fridge	●	-	-	●	-	-	-	-	-
Freezer	-	●	-	-	●	-	-	-	-
Fridge with ice box	-	-	●	-	-	-	-	-	-
Fridge freezer - frost free	-	-	-	-	-	●	●	-	-
Fridge freezer - static	-	-	-	-	-	-	-	●	●
Auto defrost fridge	●	-	●	●	-	●	●	●	●
Manual defrost freezer	-	●	●	-	●	-	-	●	●
Door fixing - door on door	●	●	●	-	-	-	-	-	-
Door fixing - slider	-	-	-	●	●	●	●	●	●

Reversible doors	●	●	●	●	●	●	●	●	●
Fridge capacity (Litres)	135	-	100	301	-	147	182	147	182
Freezer capacity (Litres)	-	95	17	-	200	77	56	81	60
Shelves	2	-	2	5	-	4	4	4	4
Fridge drawers/ Salad crispers	2	-	2	2	-	2	2	2	2
Freezer drawers	-	3	(Ice Box)	-	9	4	3	4	3

Energy rating	F	F	F	F	F	F	F	F	F
Height (mm)	820-870	818-870	820-870	1770	1770	1770	1770	1770	1770
Width (mm)	596	596	596	540	540	540	540	540	540
Depth (mm)	550	550	550	540	540	540	540	540	540

Flame retardant metal back	●	●	●	●	●	●	●	●	●
Coolant - R600a	●	●	●	●	●	●	●	●	●
Climate Class	SN-ST	SN-ST	N-ST	N-ST	N-ST	SN-T	SN-T	SN-N	SN-N

Rated current (A)	1A	1A	1A	1A	1A	1A	1A	1A	1A
-------------------	----	----	----	----	----	----	----	----	----

## WINE COOLERS

	BUILT-UNDER			
	PRWC401	PRWC402	PRWC403	PRWC404
Nominal Width	15cm	15cm	30cm	30cm
Colour	S/S	Black	S/S	Black
Capacity (litres)	22	22	59	59
No of bottles	7	7	19	19
Compressor cooling	●	●	●	●
Temp range °C	4-20	4-20	4-20	4-20
Digital temperature display	●	●	●	●
Wooden shelves	6	6	6	6
Noise level (dBA)	41	41	41	41
Refrigerant (R600a)	●	●	●	●
Climate class N	●	●	●	●
Front & rear levelling feet	●	●	●	●
Fitted 3 pin plug	●	●	●	●
Energy rating	G	G	F	F


Rated current (A)	0.6A	0.6A	0.6A	0.6A
-------------------	------	------	------	------

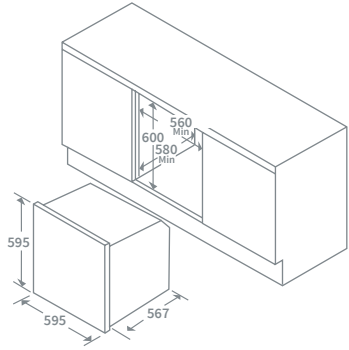
## DISHWASHERS

	FULLY INTEGRATED			
	PRDW214 <sup>6</sup>	PRDW212	PRDW210	PRDW300
Nominal width	60cm	60cm	60cm	45cm
Place settings	14	14	12	10
No of programs	7	6	4	6
Water usage (litres)	10	11	11	9
Noise level (dBA)	42	49	49	49
Normal wash	●	●	●	●
Intensive wash	●	●	●	●
Economy wash	●	●	●	●
Rapid wash	●	●	●	●
Glass	●	●		●
90 minutes	●	●		●
Auto program (load sensing)	●			
Soak	●	–	●	–
Delay timer	1-24 hrs	1-24 hrs	1-24 hrs	1-24 hrs
Low salt display indicator	●	●	●	●
Low rinse aid display indicator	●	●	●	●
End of program display indicator	●	●	●	●
Anti flood	●	●	●	●
Top cutlery drawer	●	–	–	–
Standard cutlery basket	–	●	●	●
Height adjustable top basket	●	●	●	●
“In Operation” floor light	●	–	–	–
Energy rating	C	D	E	D
Height (mm)	815	815	815	815
Width (mm)	598	598	598	448
Depth (mm)	550	550	550	550
Max rated power	2.1KW	2KW	2KW	2KW

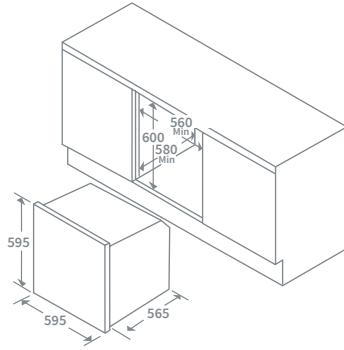
## LAUNDRY

	WASHING MACHINE	WASHER DRYER
	PRLD370	PRLD375
White	●	●
Fully integrated	●	●
Spin speed rpm (max)	1400	1400
Wash load (max kg)	7	8
Drying load (max kg)	–	6
Wash performance rating	A	A
Spin efficiency rating	A	B
Energy-efficiency rating	B	B
Hot & cold fill	Cold	Cold
Quick wash function	●	●
Height (mm)	825	825
Width (mm)	595	595
Depth (mm)	540	540
Voltage (V)	220-240	220-240
Connected load (w)	2000	2000
Fuse required (amps)	13	13

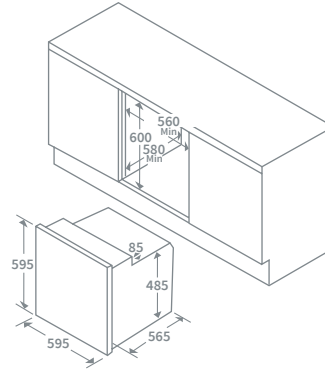
**PRIMA+ **  
**BUILT-IN SINGLE ELECTRIC FAN OVEN**  
 PRSO106/PRSO108/  
 PRSO110




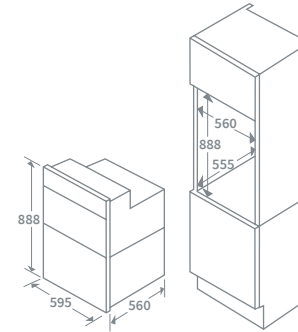
**BUILT-IN SINGLE ELECTRIC FAN OVEN**  
 PRSO105/PRSO107




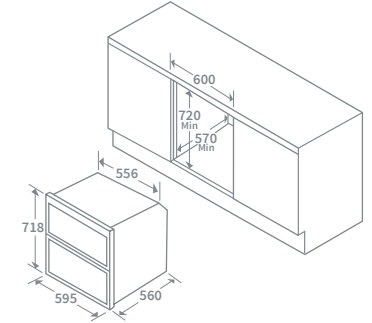
**BUILT-IN SINGLE ELECTRIC FAN OVEN**  
 PRSO101/PRSO103




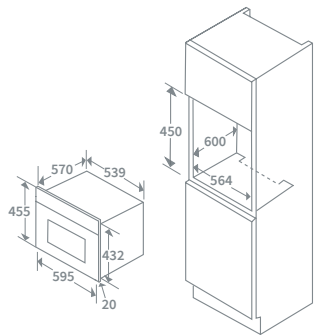
**PRIMA+ **  
**BUILT-IN DOUBLE ELECTRIC OVEN**  
 PRDO302




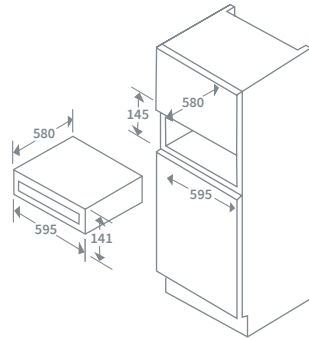
**PRIMA+ **  
**BUILT-UNDER DOUBLE ELECTRIC OVEN**  
 PRDO304



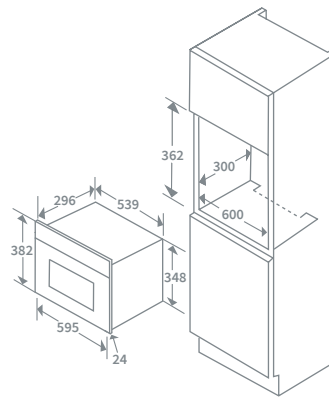
**PRIMA+ **  
**BUILT-IN COMPACT COMBINATION MICROWAVE, GRILL & FAN OVEN**  
 PRCM333



**PRIMA+ **  
**15CM WARMING DRAWER**  
 PRWD002

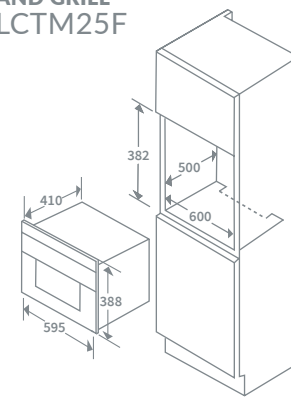


**PRIMA+ **  
**BUILT-IN 39CM MINI MICROWAVE**  
 PRCM111



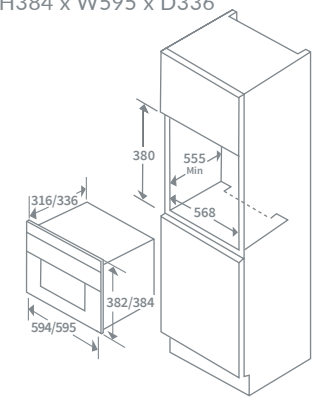
**BUILT-IN STAINLESS STEEL FRAMELESS MICROWAVE AND GRILL**  
 LCTM251


**BUILT-IN STAINLESS STEEL FRAMED MICROWAVE AND GRILL**  
 LCTM25F

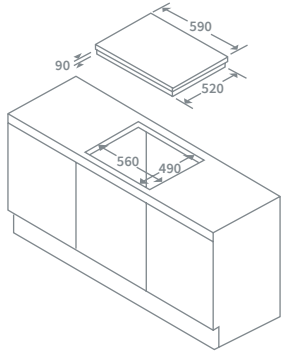


**BUILT-IN STAINLESS STEEL FRAMED MICROWAVE**  
 LCTM201  
 H382 x W594 x D316

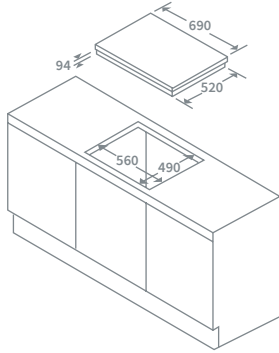
**BUILT-IN BLACK MICROWAVE**  
 PRCM202  
 H384 x W595 x D336



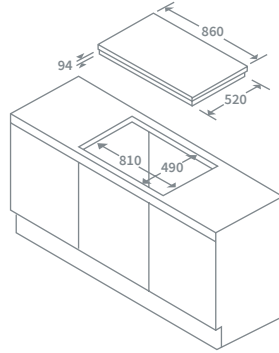
**PRIMA+**   
**60CM  
GAS ON GLASS  
HOB**  
PRGH218



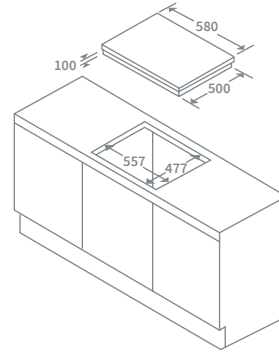
**PRIMA+**   
**70CM  
GAS ON GLASS  
HOB**  
PRGH220



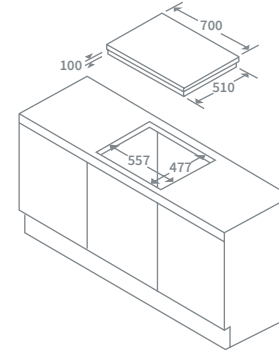
**PRIMA+**   
**90CM  
GAS ON GLASS  
HOB**  
PRGH222



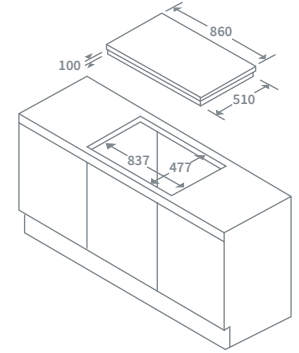
**60CM  
GAS ON GLASS  
HOB**  
PRGH212



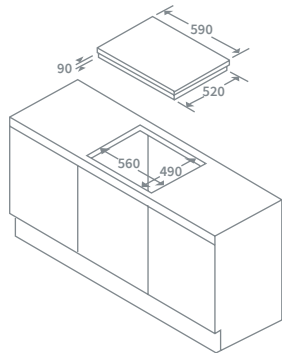
**70CM  
GAS ON GLASS  
HOB**  
PRGH214



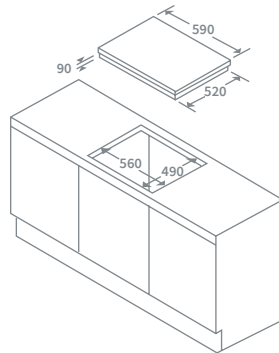
**90CM  
GAS ON GLASS  
HOB**  
PRGH216



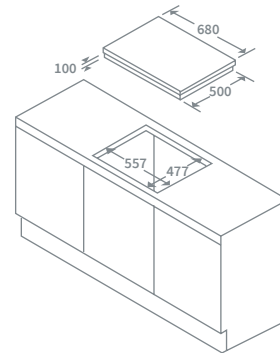
**60CM  
STAINLESS STEEL  
GAS HOB**  
PRGH106



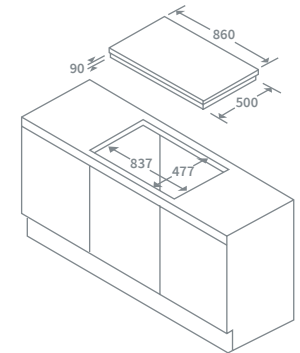
**60CM  
STAINLESS STEEL  
GAS HOB**  
PRGH108



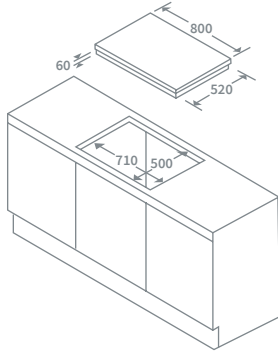
**70CM  
STAINLESS STEEL  
GAS HOB**  
PRGH114



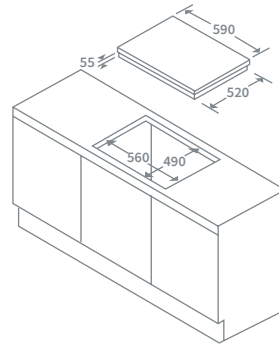
**90CM  
STAINLESS STEEL  
GAS HOB**  
PRGH116



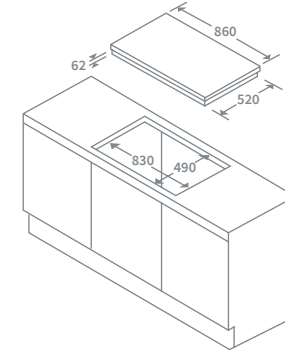
**PRIMA+**   
**80CM VENTING  
INDUCTION HOB**  
PRVH001



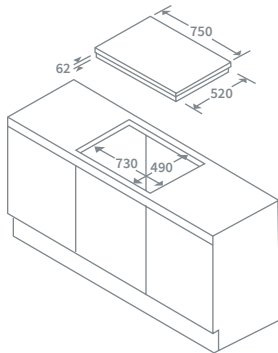
**PRIMA+**   
**60CM INDUCTION HOB**  
PRIH204



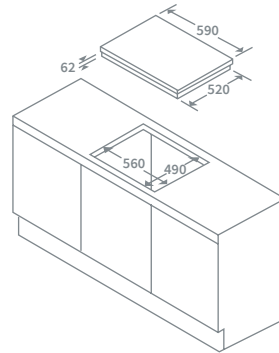
**90CM  
ELECTRIC HOB**  
PRIH208



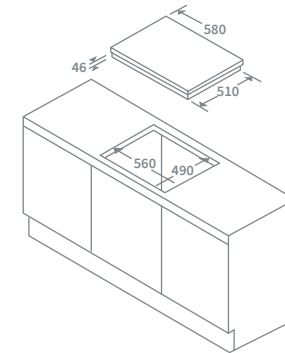
**75CM  
INDUCTION HOB**  
PRIH206



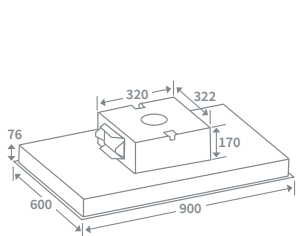
**60CM  
INDUCTION HOB**  
PRIH016  
PRIH018



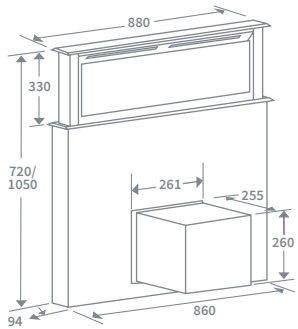
**60CM  
CERAMIC HOB**  
PRCEH104/  
PRCEH106



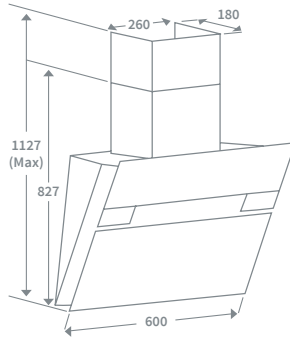
**PRIMA+ **  
**90CM**  
**CEILING HOOD**  
 PRCH301



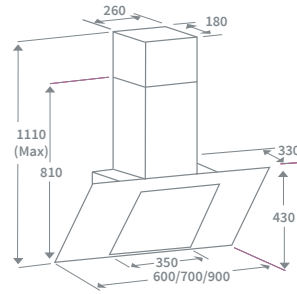
**PRIMA+ **  
**90CM**  
**DOWNDRAFT**  
**HOOD**  
 PRDE0004



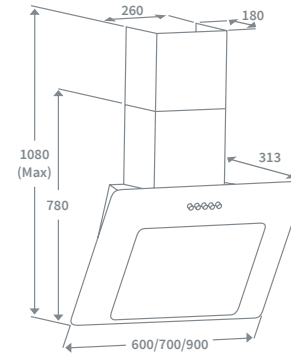
**PRIMA+ **  
**ANGLED HOOD**  
 PRAE0030




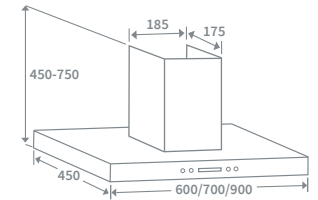
**PRIMA+ **  
**60/70/90CM**  
**STAINLESS STEEL**  
**/GLASS**  
**ANGLED HOOD**  
 PRAE1002/  
 PRAE1004/  
 PRAE1006



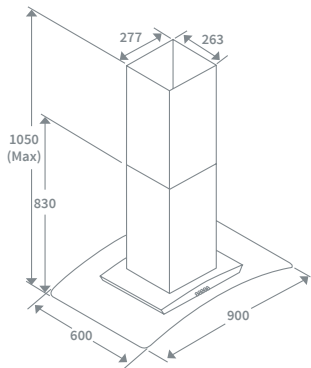
**60/70/90CM**  
**ANGLED HOOD**  
 PRAE0018/  
 PRAE0020/  
 PRAE0022



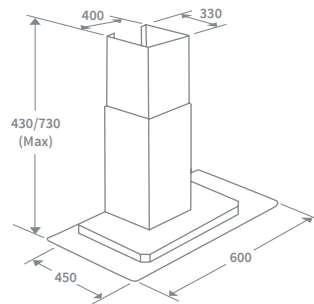
**PRIMA+ **  
**60/70/90CM**  
**BOX HOOD**  
 PRCH026/  
 PRCH028/  
 PRCH030



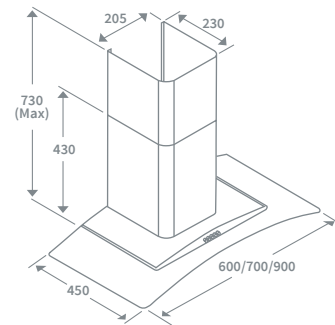
**90CM**  
**STAINLESS STEEL**  
**CURVED GLASS**  
**ISLAND HOOD**  
 PRCGH100



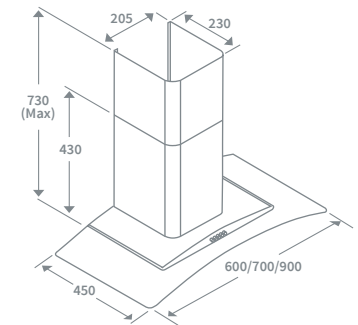
**60CM**  
**STAINLESS STEEL**  
**FLAT GLASS HOOD**  
 PRFH002



**60/70/90CM**  
**STAINLESS STEEL**  
**CURVED GLASS**  
**CHIMNEY HOOD**  
 PRCGH008/PRCGH010/  
 PRCGH012

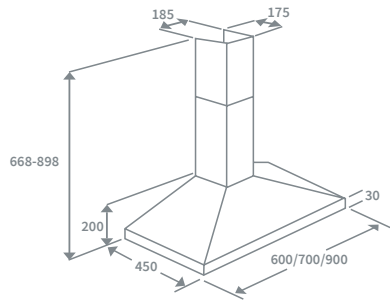


**60/70/90CM**  
**BLACK CURVED GLASS**  
**CHIMNEY HOOD**  
 PRCGH009/PRCGH011/  
 PRCGH013

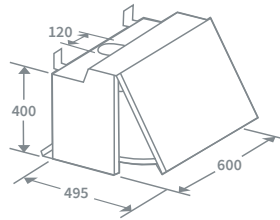




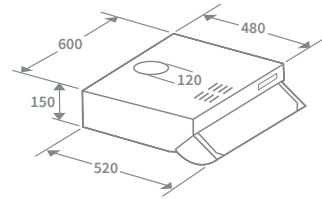
**60/70/90CM  
STAINLESS STEEL  
CHIMNEY HOOD**  
PRCH020/PRCH022/PRCH024  
**ALSO AVAILABLE IN BLACK**  
PRCH021/PRCH023



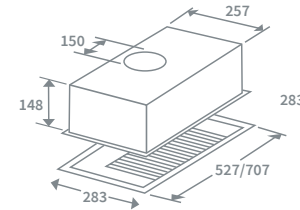
**GREY  
INTEGRATED HOOD**  
PRCH550



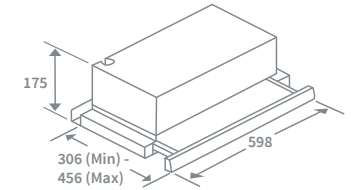
**60CM VISOR HOOD**  
PRCH400



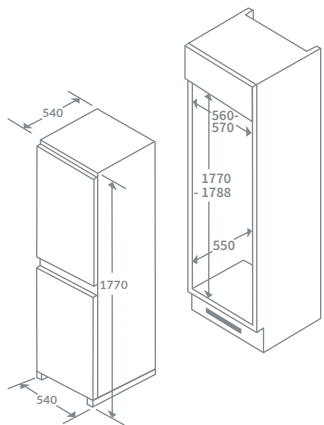
**60CM  
GREY CANOPY HOOD**  
PRCH700  
PRCH701



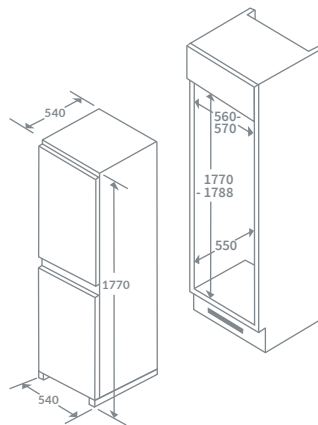
**60CM  
TELESCOPIC HOOD**  
PRCH600



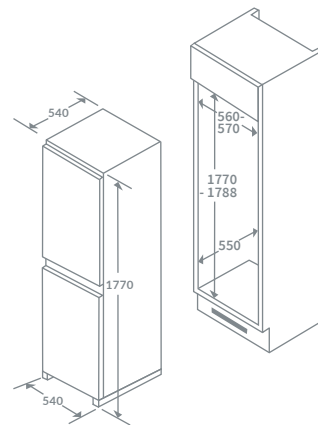
**50/50  
FROST FREE  
FRIDGE FREEZER**  
PRRF500



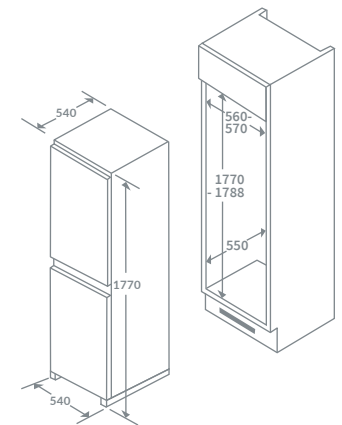
**70/30  
FROST FREE  
FRIDGE FREEZER**  
PRRF700



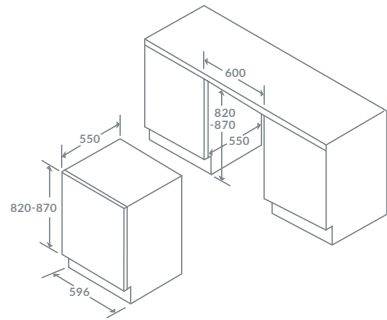
**50/50  
FRIDGE FREEZER**  
PRRF502



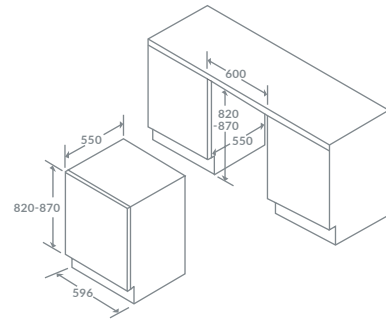
**70/30  
FRIDGE FREEZER**  
PRRF702



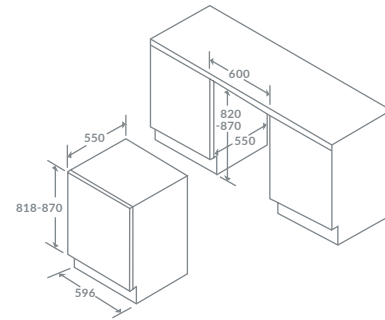
**UNDER COUNTER  
LARDER FRIDGE**  
PRRF100



**UNDER COUNTER  
FRIDGE WITH ICE BOX**  
LPR132A1

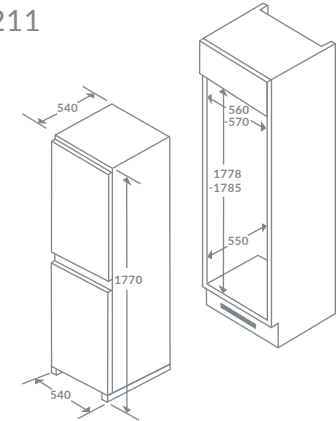


**UNDER COUNTER  
LARDER FREEZER**  
PRRF102

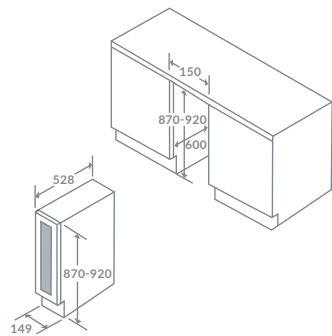


**BUILT-IN  
LARDER FRIDGE**  
PRRF210

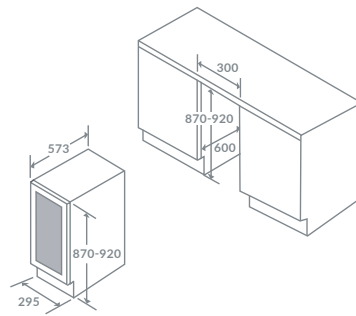
**BUILT-IN  
LARDER FREEZER**  
PRRF211




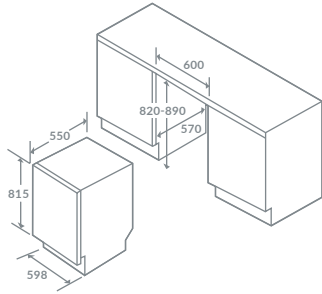
**150MM WINE COOLER**  
PRWC401 - STAINLESS STEEL  
PRWC402 - BLACK



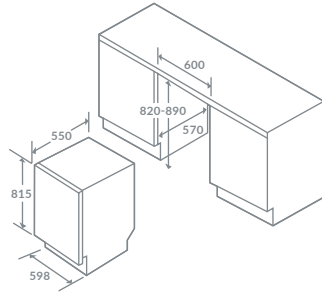
**300MM WINE COOLER**  
PRWC403 - STAINLESS STEEL  
PRWC404 - BLACK



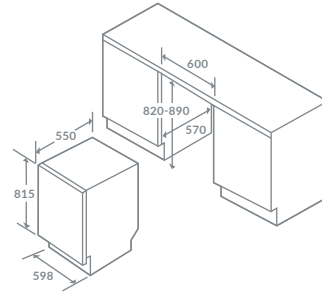
**PRIMA+**   
**60CM INTEGRATED  
DISHWASHER**  
PRDW214



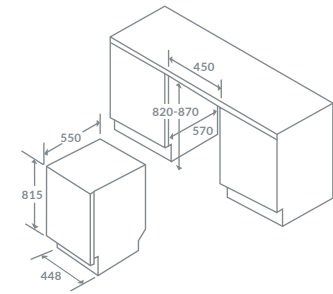
**60CM  
INTEGRATED DISHWASHER**  
PRDW212



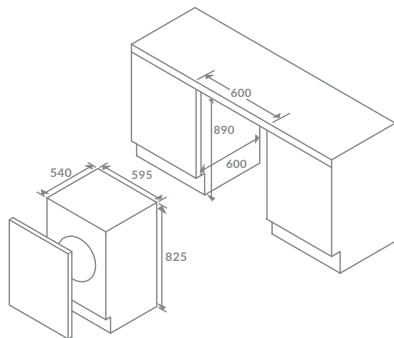
**60CM  
INTEGRATED DISHWASHER**  
PRDW210



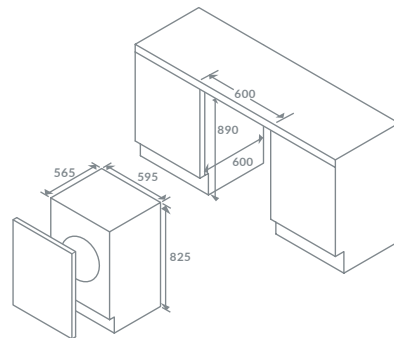
**45CM INTEGRATED  
SLIMLINE DISHWASHER**  
PRDW300



**INTEGRATED  
WASHING MACHINE**  
PRLD370

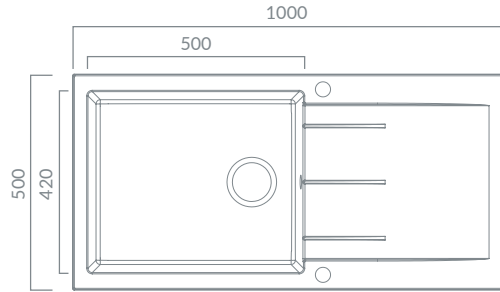


**INTEGRATED  
WASHER DRYER**  
PRLD375



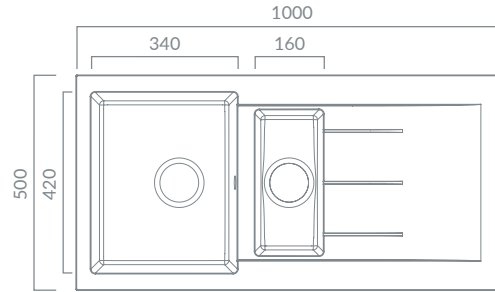
**PRIMA+ **  
**GRANITE 1.0 BOWL**

CPR318/CPR319/CPR320/CPR321



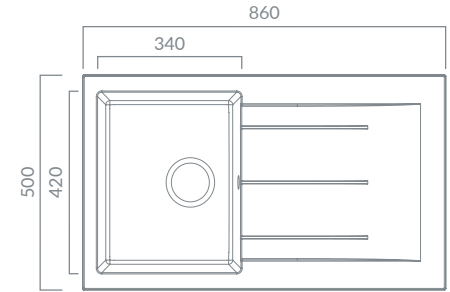
**PRIMA+ **  
**GRANITE 1.5 BOWL**

CPR322/CPR323/CPR324/CPR325



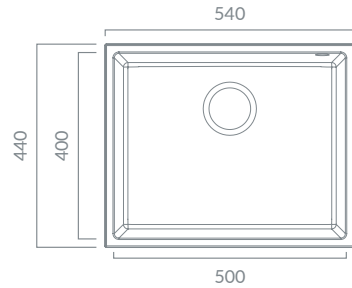
**PRIMA+ **  
**COMPACT GRANITE 1.0 BOWL**

CPR344/CPR345/CPR346/CPR347



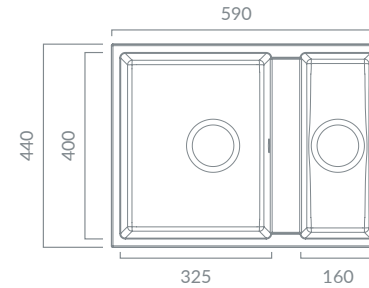
**PRIMA+ **  
**GRANITE 1.0 BOWL UNDERMOUNT**

CPR356/CPR357/CPR358

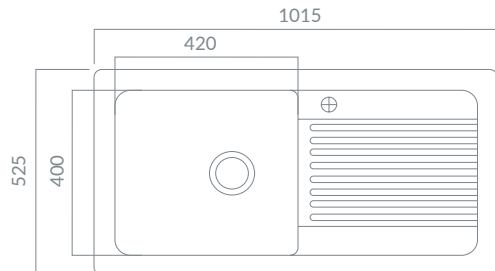


**PRIMA+ **  
**GRANITE 1.5 BOWL UNDERMOUNT**

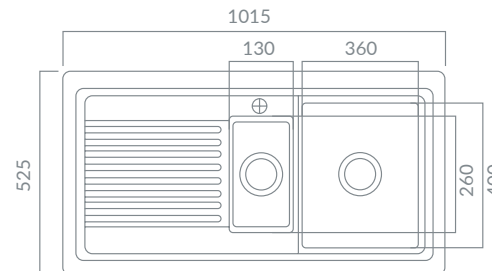
CPR359/CPR360/CPR361



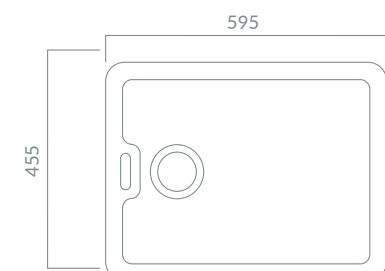
**1.0 BOWL  
 TRADITIONAL CERAMIC SINK**  
 CPR412



**1.5 BOWL TRADITIONAL  
 CERAMIC SINK**  
 CPR410

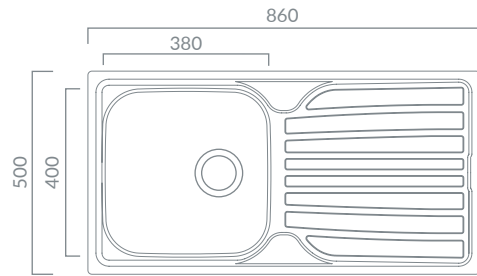


**BELFAST  
 1.0 BOWL SINK**  
 CPR4081



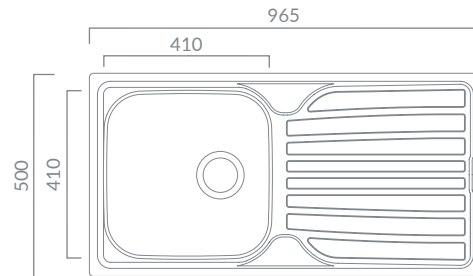
**COMPACT STAINLESS STEEL  
1 BOWL & TAP PACK**

CPR040



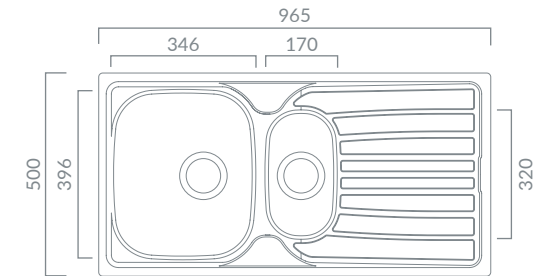
**STAINLESS STEEL  
1 BOWL & TAP PACK**

CPR041



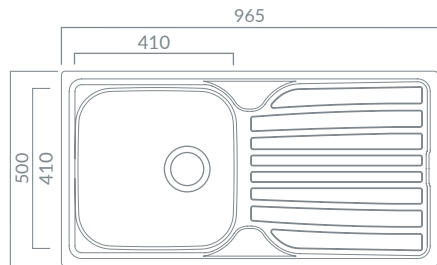
**STAINLESS STEEL  
1.5 BOWL & TAP PACK**

CPR042



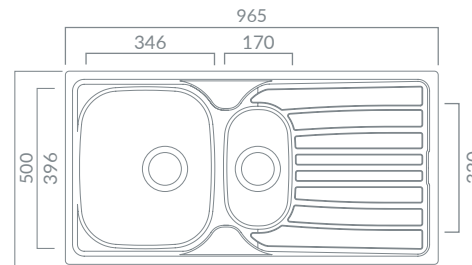
**1.0 BOWL SINK**

CPR024



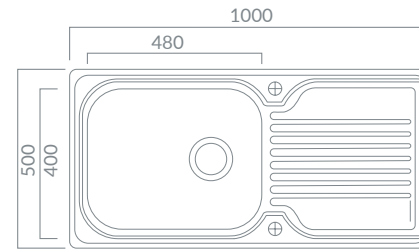
**1.5 BOWL SINK**

CPR026



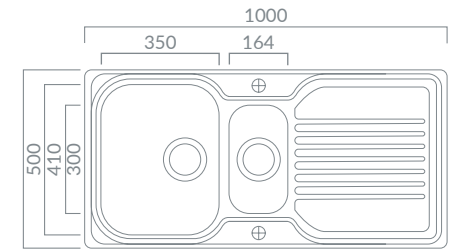
**DEEP BOWL 1.0**

CPR030



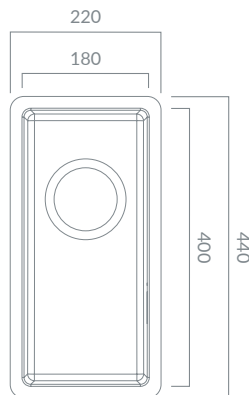
**DEEP BOWL 1.5**

CPR032



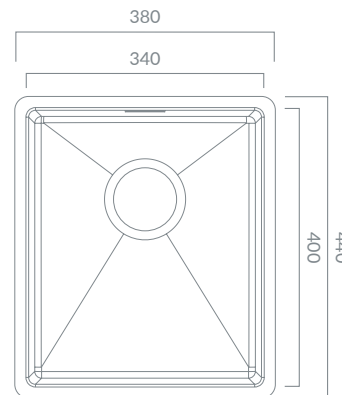
**PRIMA+  
R10 0.5 BOWL  
INSET/  
UNDERMOUNT  
SINK**

CPR516



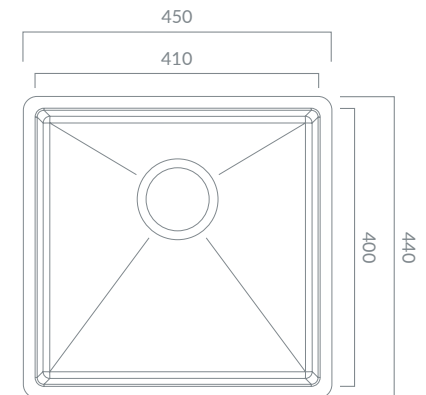
**PRIMA+  
R10 1.0 BOWL  
INSET/  
UNDERMOUNT  
SINK**

CPR518

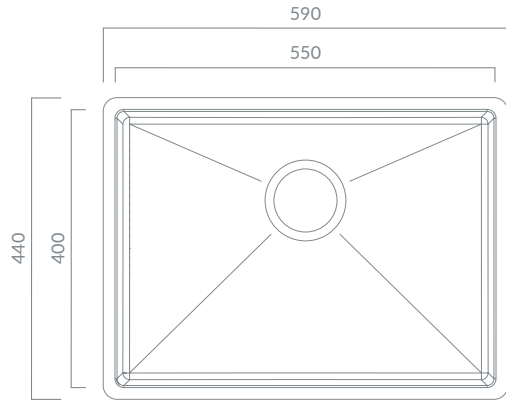


**PRIMA+  
R10 1.0 BOWL  
MEDIUM  
INSET/  
UNDERMOUNT  
SINK**

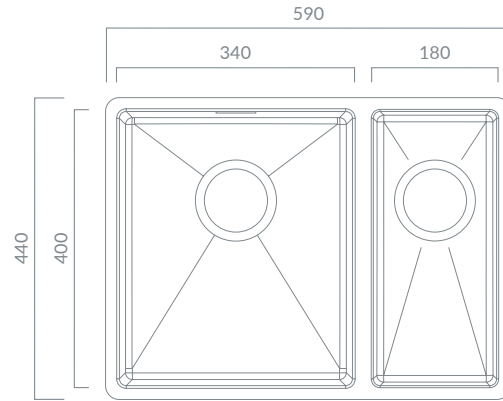
CPR520



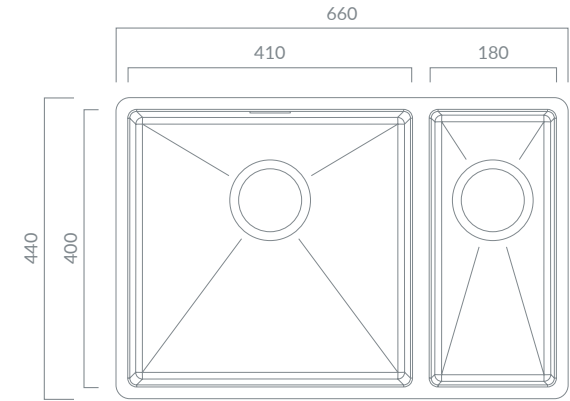
**PRIMA+**   
**R10 1.0 BOWL LARGE**  
**INSET/UNDERMOUNT SINK**  
 CPR522




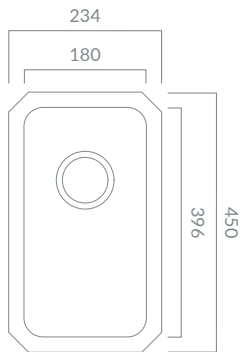
**PRIMA+**   
**R10 1.5 BOWL**  
**INSET/UNDERMOUNT SINK**  
 CPR524



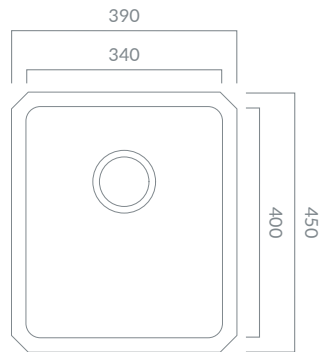
**PRIMA+**   
**R10 1.5 BOWL LARGE**  
**INSET/UNDERMOUNT SINK**  
 CPR526




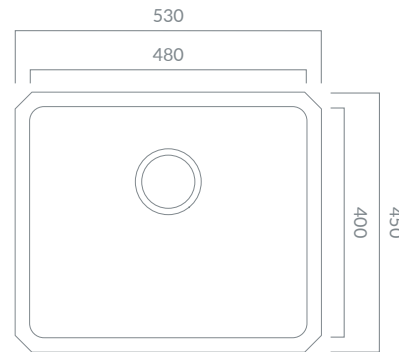
**PRIMA+**   
**R25 0.5 BOWL**  
**UNDERMOUNT SINK**  
 CPR044



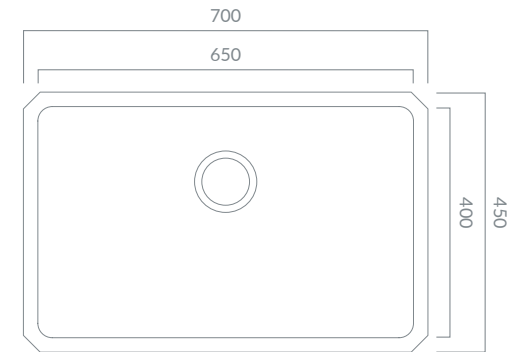
**PRIMA+**   
**R25 1.0 COMPACT BOWL**  
**UNDERMOUNT SINK**  
 CPR046



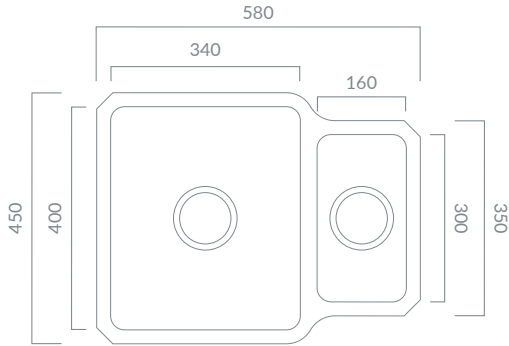
**PRIMA+**   
**R25 1.0 BOWL LARGE**  
**UNDERMOUNT SINK**  
 CPR048




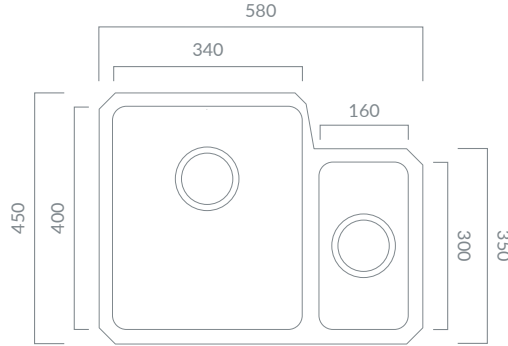
**PRIMA+**   
**R25 1.0 BOWL EXTRA LARGE**  
**UNDERMOUNT SINK**  
 CPR050




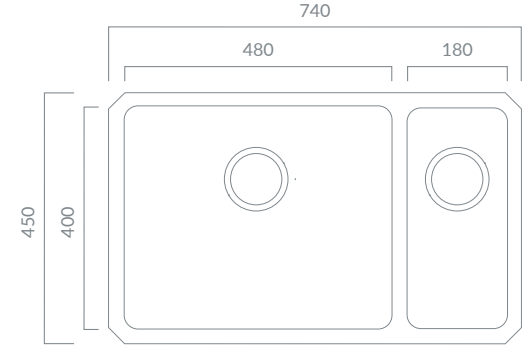
**PRIMA+**   
**R25 1.5 BOWL REVERSIBLE  
 UNDERMOUNT SINK**  
 CPR052



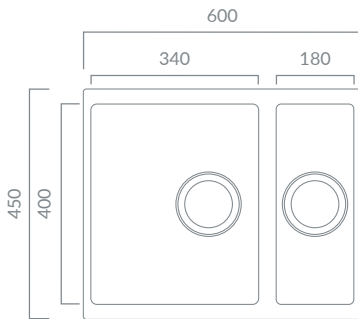
**PRIMA+**   
**R25 1.5 BOWL  
 UNDERMOUNT SINK**  
 CPR054



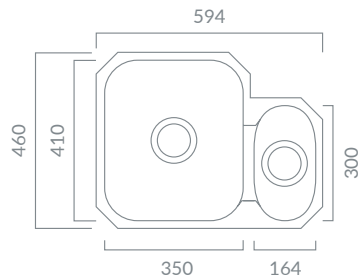
**PRIMA+**   
**R25 1.5 BOWL LARGE  
 UNDERMOUNT SINK**  
 CPR056



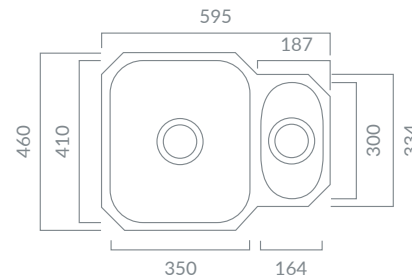
**PRIMA+**   
**1.5 BOWL REVERSIBLE  
 UNDERMOUNT**  
 CPR510



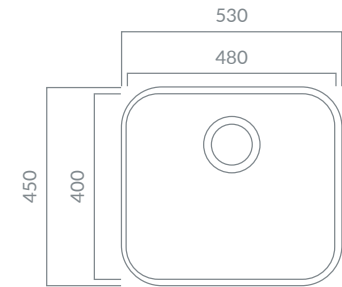
**1.5 BOWL  
 UNDERMOUNT SINK**  
 CPR514 - RIGHT-HANDED  
 CPR512 - LEFT-HANDED



**1.5 BOWL REVERSIBLE  
 UNDERMOUNT**  
 CPR506



**LARGE BOWL  
 UNDERMOUNT SINK**  
 CPR508



# INTRODUCING primacare

*Primacare is our aftersales care programme which ensures that your Prima and Prima+ products are working as they should.*

*Our Primacare team deliver a friendly and efficient service.*

Below is an overview of our Primacare service, from registering your product for the extended parts guarantee, to what to do if your product experiences problems.

## **PRODUCT REGISTRATION**

You can register by phone or easily online at <http://Prima-Appliances.uk/Guarantee>. By registering your product you benefit from 5 year parts & 2 year labour guarantee.

## **CONTACTING PRIMACARE**

For all Primacare enquiries please call our Primacare hotline on 0344 576 6841 or email [care@Prima-Appliances.uk](mailto:care@Prima-Appliances.uk). Opening hours: Mon-Fri 8:00am - 6:00pm  
Sat 8:30am - 2:00pm  
Sun 10:00am - 2:00pm

## **CUSTOMER QUERIES**

The Primacare team are available to give you advice on operating our products and their specifications.

## **IF YOU EXPERIENCE A PROBLEM WITH YOUR PRIMA OR PRIMA+ PRODUCT**

Please call the Primacare hotline on 0344 576 6841 and a Primacare advisor will check your product registration details, log the fault on our Primacare system and if possible will attempt to resolve any operational or installation issues on the phone.

If we are unable to resolve your issue over the phone we will arrange for a Primacare engineer to contact you for a home visit at your convenience.

## **ENGINEERS VISIT / SPARES**

One of our trained service engineers will arrange a suitable appointment with you and attempt to fix your appliance on the first visit, however in the event that additional parts are required he/she will arrange a new appointment to install the new parts at a later date.

## **ESCALATION PROCESS**

If you are not satisfied with any part of the repair process we recommend that you contact the Primacare hotline as soon as possible and we will escalate your problem to our Prima Escalation Management Team.

## **PRODUCT REPLACEMENT**

If we are unable to repair your appliance for any reason we reserve the right to offer you a replacement item to the same specification. If the replaced item is unavailable we reserve the right to offer a suitable alternative of similar specification. Original guarantee dates still apply in the event of a replacement.

Terms & conditions apply.





**prima**  
**care**

If you experience any problems with your appliance  
please contact our dedicated service line on:

**0344 576 6841**

UK Call Centre open 7 days a week: Mon-Fri 8:00am - 6:00pm  
Sat 8:30am - 2:00pm  
Sun 10:00am - 2:00pm

or you can visit our website:

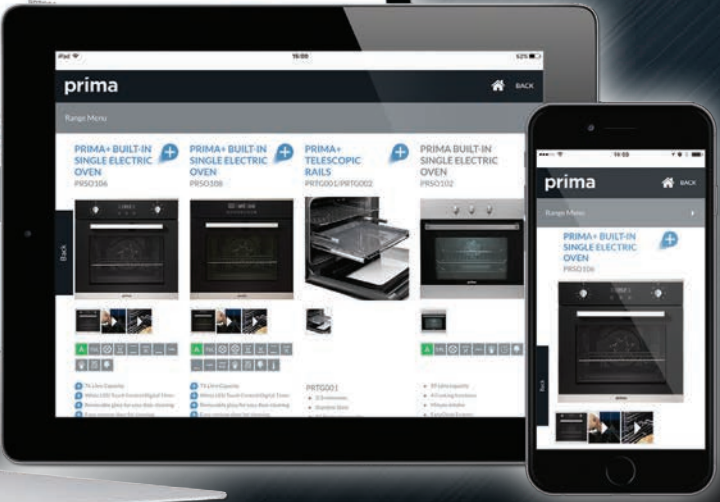
**<http://Prima-Appliances.uk/Guarantee>**



# VISIT OUR WEBSITE

For up-to-date product information, updates, product videos and more... visit our website.

[www.Prima-Appliances.uk](http://www.Prima-Appliances.uk)





*For all your everyday needs*

# prima

The Smarter Choice™

[www.Prima-Appliances.uk](http://www.Prima-Appliances.uk)

Retail Outlet:

For your nearest stockist:  
Freephone: 0800 8 77 88 99

Due to our policy of continuous improvement, we reserve the right to amend specifications, designs or colours without prior notice.  
The colours and finishes shown in this brochure are as accurate as possible within limits of the printing process.  
Whilst every effort is made to ensure the accuracy of information supplied, Prima will not be held responsible for any errors or omissions.